



Haas
F1 Team
OFFICIAL MACHINE TOOL



GANTRY MILLS

Gantry-Style CNC Machines for Milling



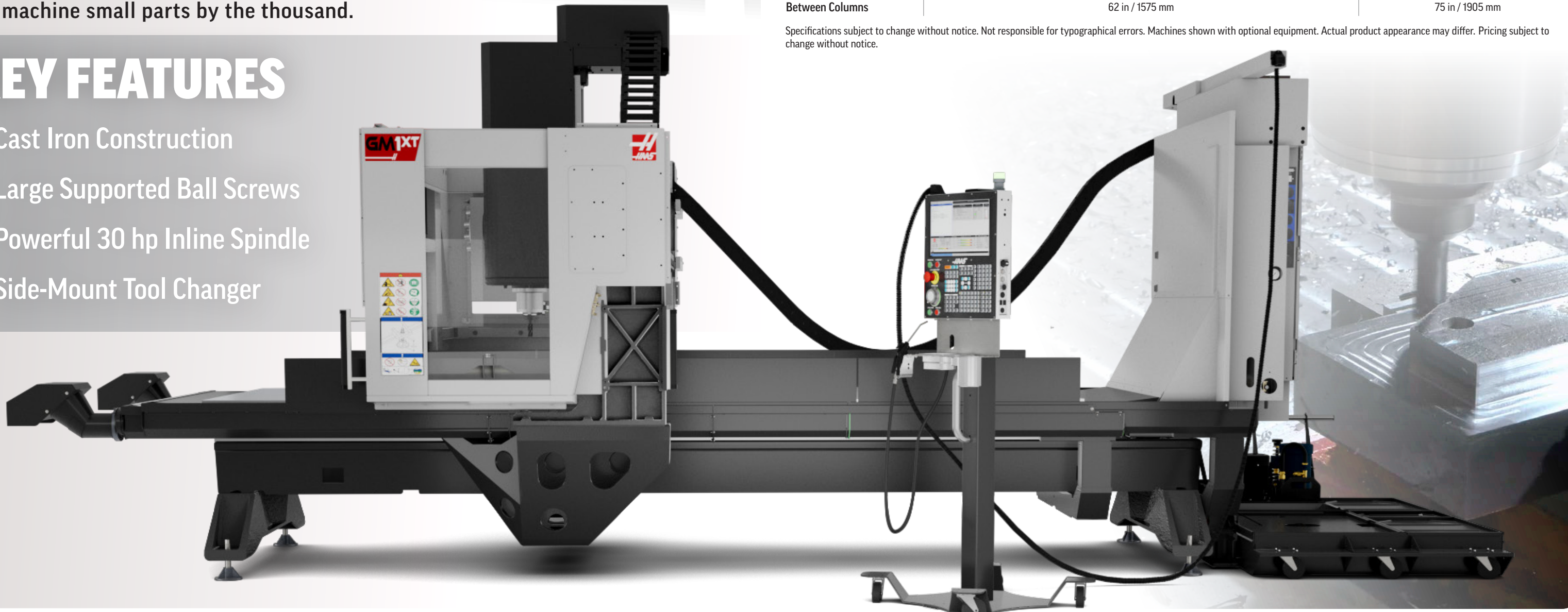
Large-Platform

CNC GANTRY MILLS

The Haas gantry routers and mills have the power to cut aluminum and other metals, as well as the speed to cut plastics and other light materials. These machines easily handle large sheets, or can machine small parts by the thousand.

KEY FEATURES

- Cast Iron Construction
- Large Supported Ball Screws
- Powerful 30 hp Inline Spindle
- Side-Mount Tool Changer



3 Axis Gantry Mills

GM-1

\$220,995



GM-1XT

\$262,995



GM-2

\$288,995



40 TAPER | **8100 - 15,000 RPM** | **30+1 TOOL CAPACITY** | **3 AXIS** | **+ 4 or 5 AXIS ROTARY**

Travels	GM-1	GM-1XT	GM-2
X Axis	121 in / 3073 mm	142 in / 3607 mm	145 in / 3683 mm
Y Axis		61 in / 1549 mm	87.5 in / 2223 mm
Z Axis		16 in / 406 mm	22 in / 559 mm
Table	GM-1	GM-1XT	GM-2
Length	123 in / 3124 mm		144 in / 3658 mm
Width		53 in / 1346 mm	72 in / 1829 mm
Thickness		1 in / 25 mm	
Between Columns		62 in / 1575 mm	75 in / 1905 mm

Specifications subject to change without notice. Not responsible for typographical errors. Machines shown with optional equipment. Actual product appearance may differ. Pricing subject to change without notice.



5-Axis Gantry Mill

GM-2-5AX

\$551,995

HSK 63F TAPER

20,000 RPM

30+1 TOOL CAPACITY

5 AXIS



Travels

X Axis	145 in / 3683 mm
Y Axis	87.5 in / 2223 mm
Z Axis	39.3 in / 998 mm

Spindle

B - Tilt	± 120° @ 110°/s
C - Rotation	± 245° @ 200°/s

Table

Length	144 in / 3658 mm
Width	72 in / 1829 mm
Thickness	1 in / 25 mm
Between Columns	75 in / 1905 mm

Specifications subject to change without notice. Not responsible for typographical errors. Machines shown with optional equipment. Actual product appearance may differ. Pricing subject to change without notice.

300,000 CONTROLS CAN'T BE WRONG.

Haas Gantry Mills are equipped with the same powerful, easy-to-use Haas Control found on every machine we build. It comes standard on every machine we sell, and is the same across the entire product line. The Haas control is fast, smart, and powerful, with a simple user interface and consistent, intuitive navigation that make it easy to learn and use.

- Touchscreen Interface
- Dedicated Keypad
- One-Button Features
- Multi-Function Jog Handle
- Color LCD Screen
- Ethernet Interface
- USB Port
- M130 Media Player
- Advanced Tool Management
- 1 GB Program Memory
- Power-Failure Detection
- WiFi Connectivity
- Safe Run
- Surge Protection
- HaasDrop Wireless File Transfer
- HaasConnect Mobile Monitoring

DON'T FORGET THE TOOLING!

We have thousands of high-quality tooling products at unbeatable low prices . . . and we're adding more every day at www.HaasTooling.com

Haas Automation, Inc. USA
2800 Sturgis Rd., Oxnard, CA, USA
www.HaasCNC.com | www.HaasTooling.com

Haas Automation, Europe
Mercuriusstraat 28, B-1930 Zaventem, Belgium
www.HaasCNC.com

