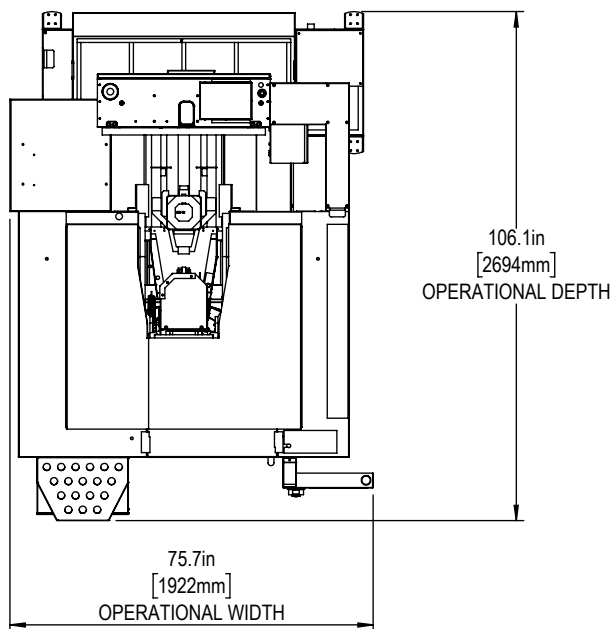
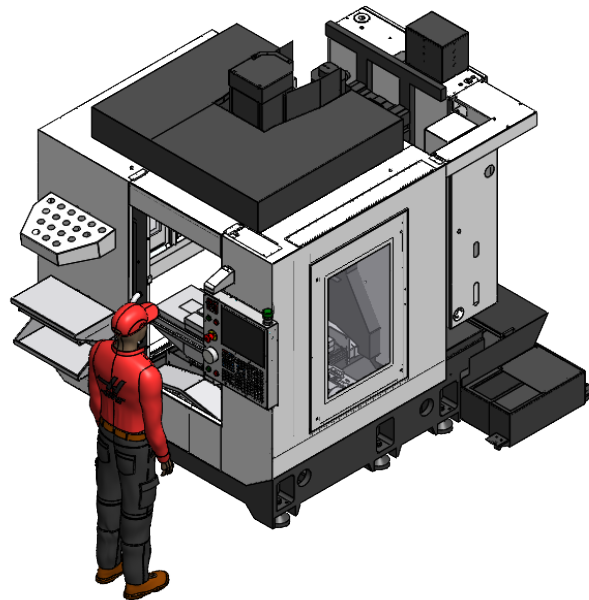
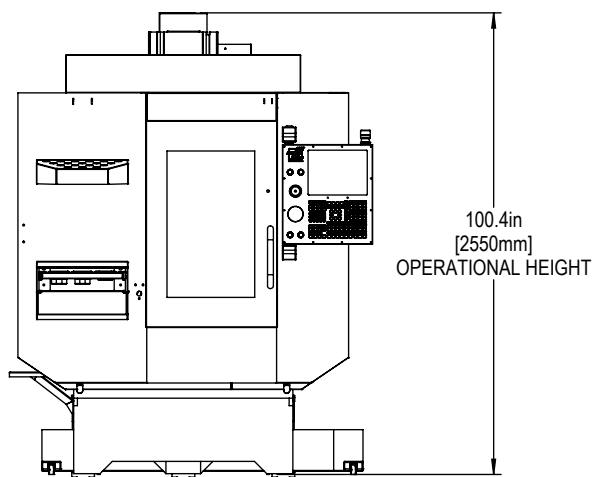
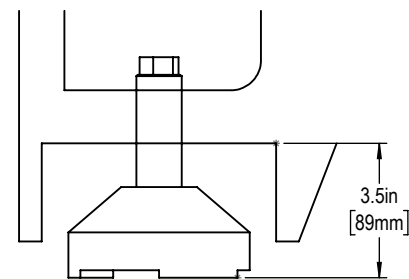




Installed Dimensions

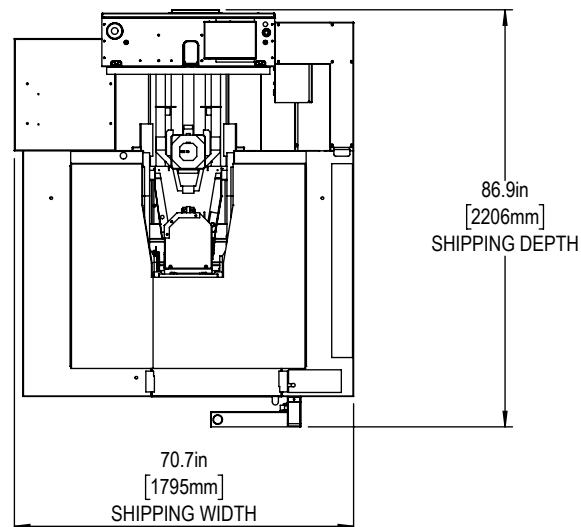
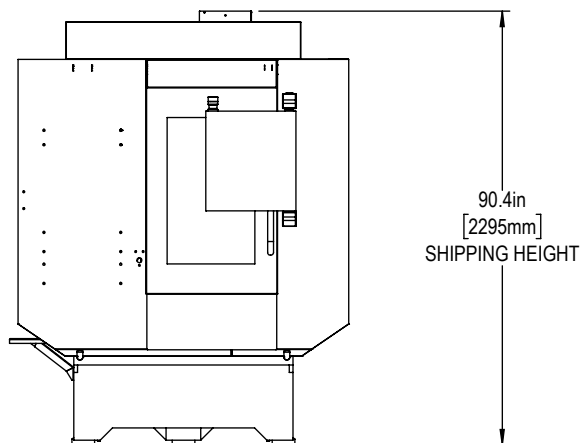


Leveling Pad Height

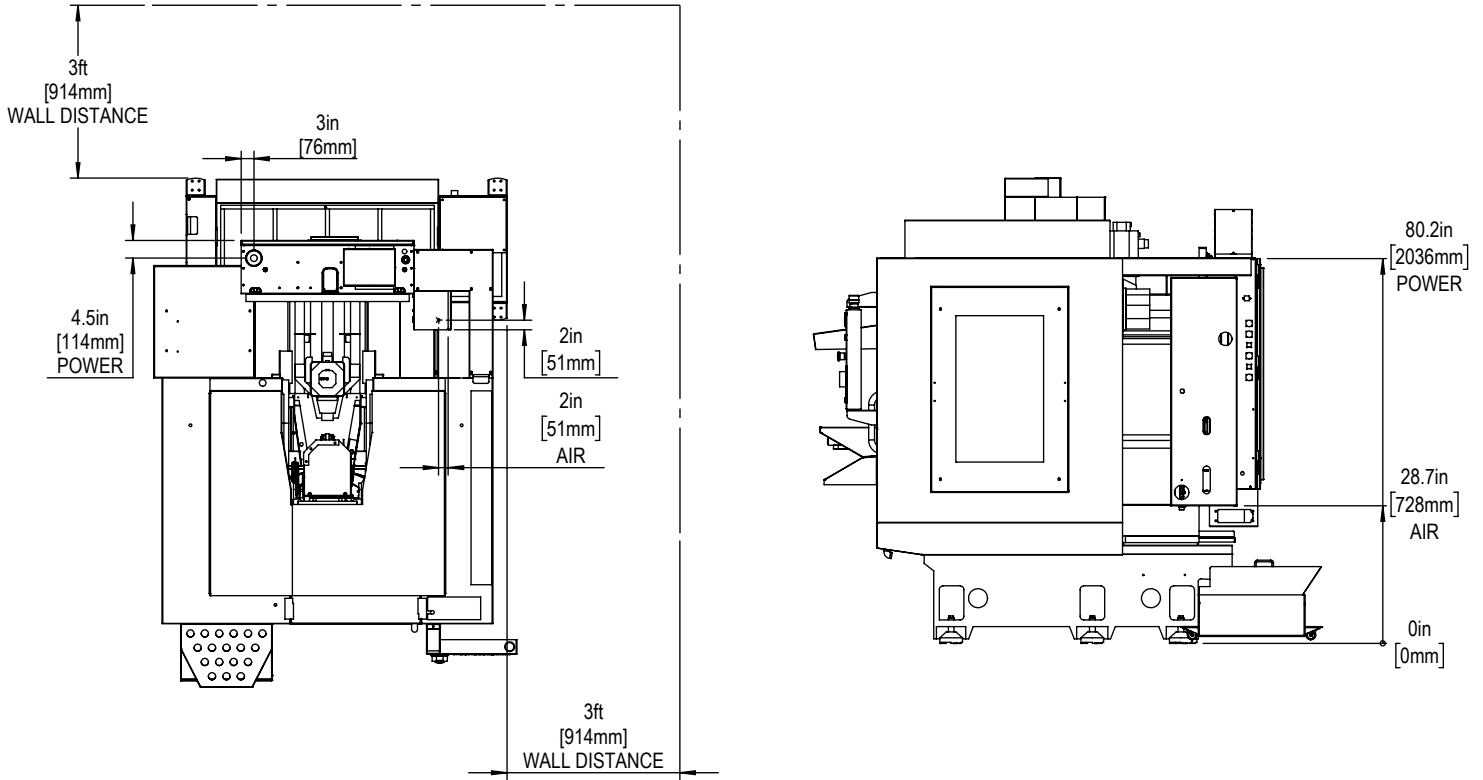


*All Height Dimensions Based on Suggested Leveling Pad Height

Shipping Dimensions



Air & Power

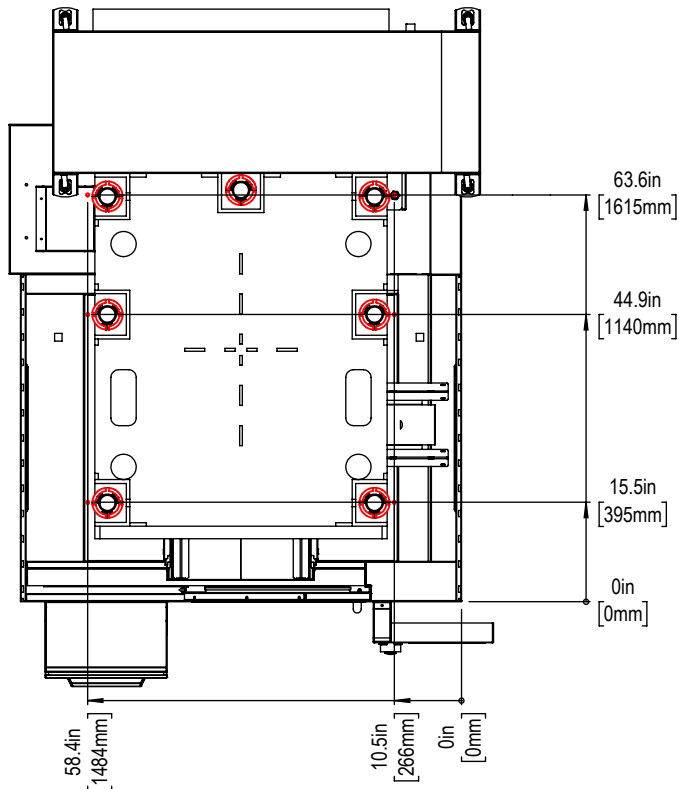


Maintain 3 feet [915mm] clearance to the nearest obstruction around all sides of machine perimeter for maintenance access

Note:
Machine must be placed on one continuous concrete slab. Slab should extend 12in [305mm] beyond anchor holes in all directions

Anchor Pattern

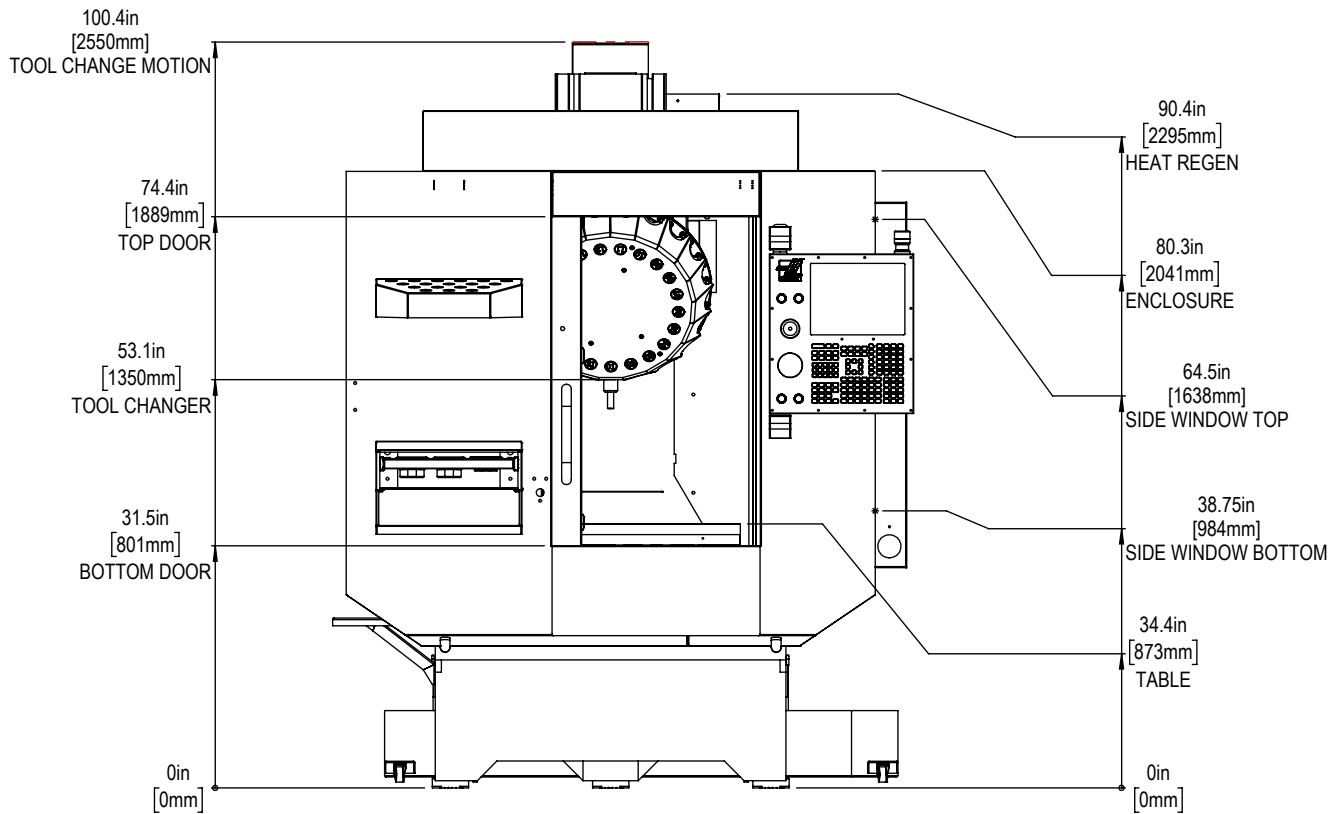
Anchor Hole Detail
 $\varnothing 0.625in[25mm]$
 $\nabla 2.0in[50mm]$
 $\nabla 2.25in[57mm]$



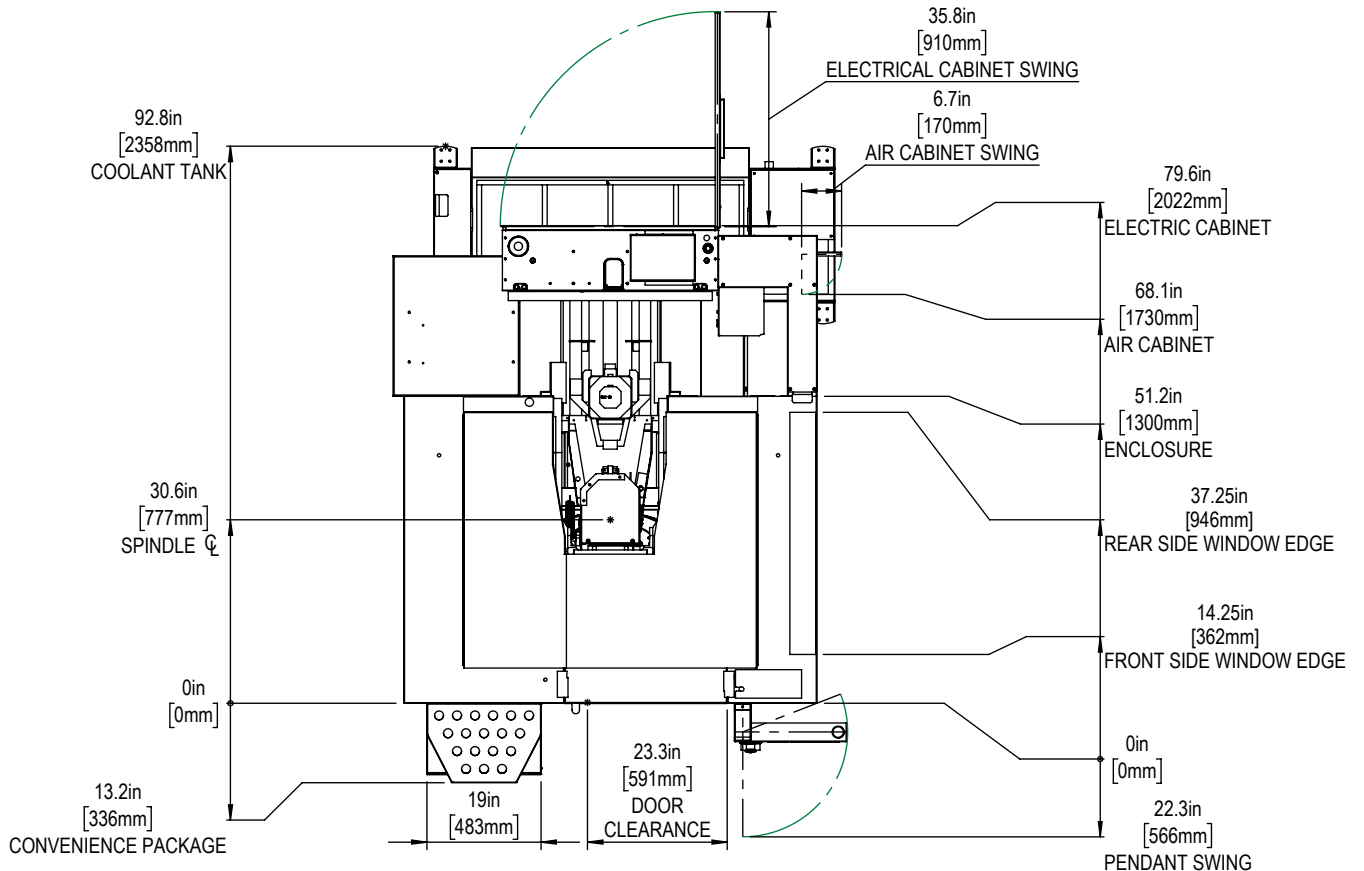
For precise locations and specifications please use template in Anchoring Kit found at Haascnc.com



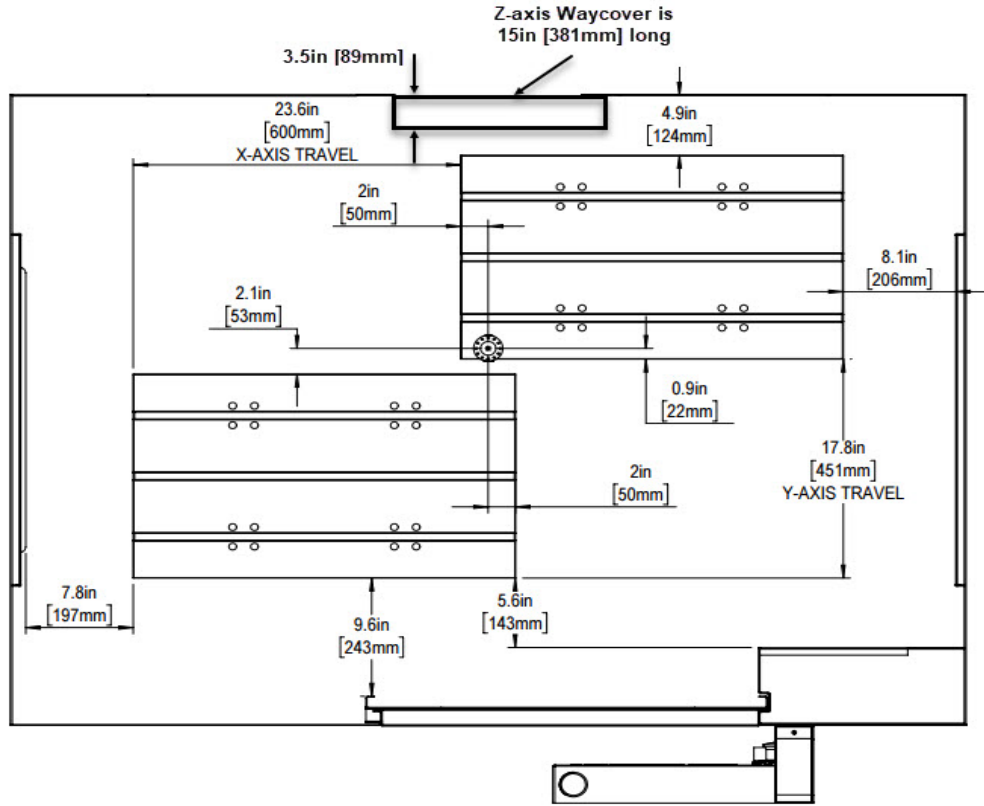
Height Breakdown



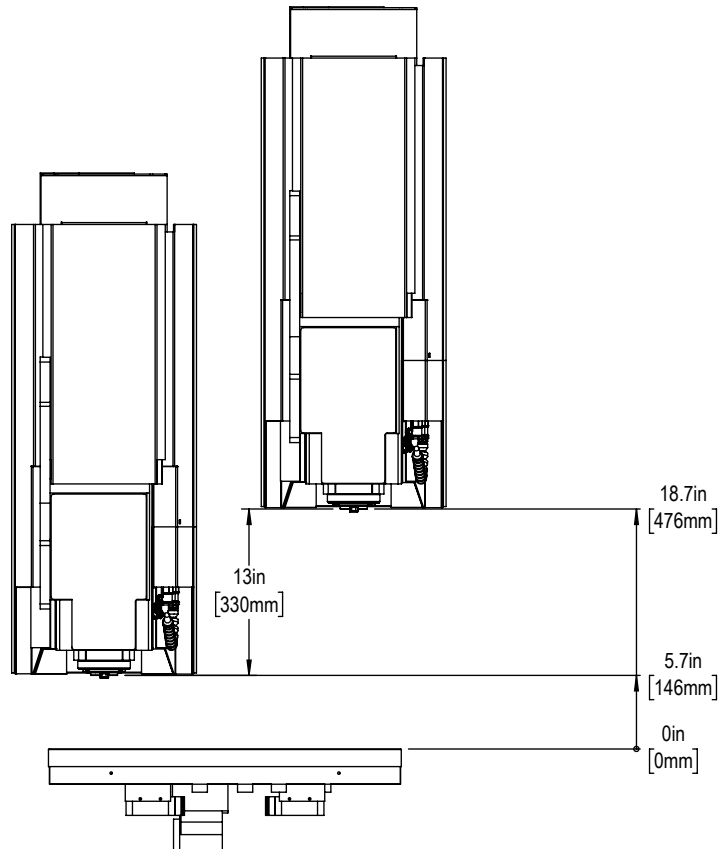
Width Breakdown



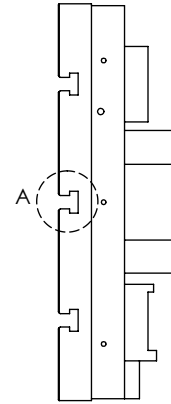
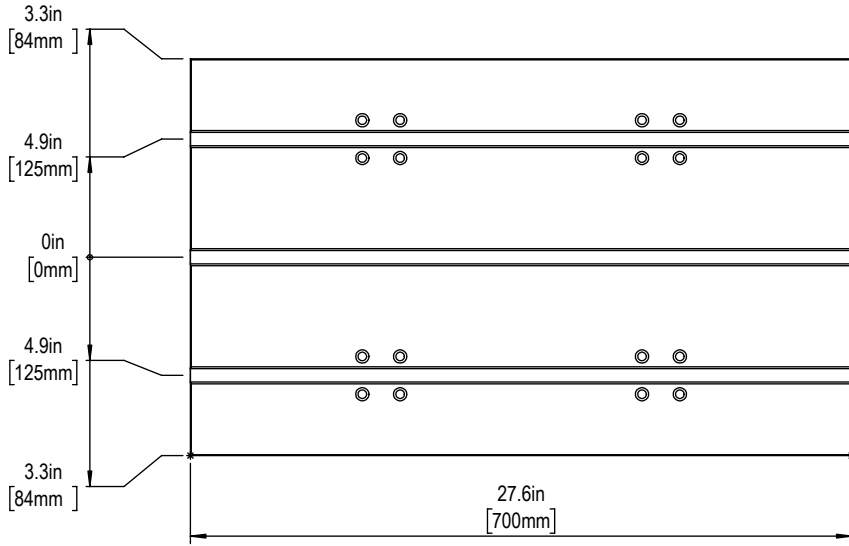
X&Y-Axis Travel and Clearance



Z-AXIS TRAVEL & CLEARANCE



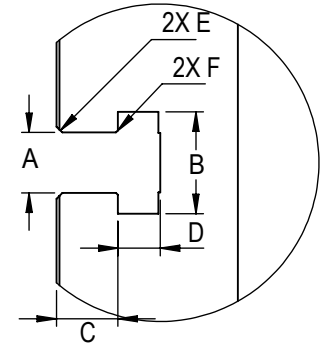
Table



14mm T-SLOTS

VIEW A

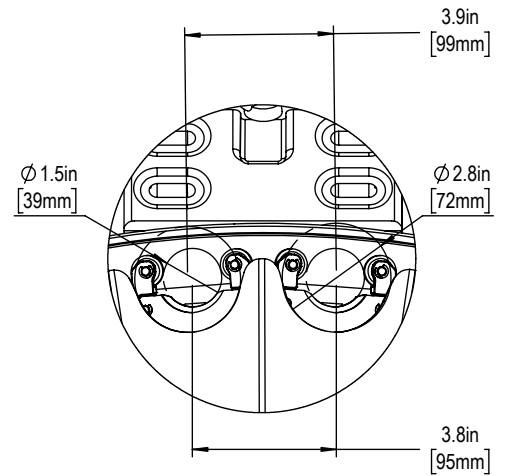
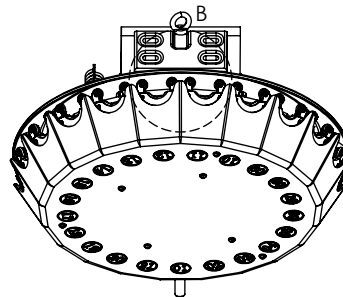
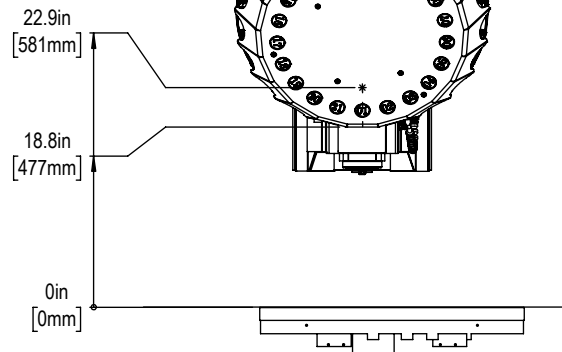
Slot Size	A	B	C	D	E	F
12mm	0.438 $\frac{+.002}{-.000}$	0.76 ± 0.02	0.310 ± 0.010	0.318 ± 0.010	0.03x45°	0.020x45°
14mm	0.551 $\frac{+.004}{-.000}$	0.906 ± 0.008	0.472 ± 0.006	0.354 ± 0.006	0.08x45°	0.012x45°
16mm	0.628 ± 0.002	1.06 ± 0.02	0.640 ± 0.010	0.420 ± 0.010	0.06x45°	0.020x45°



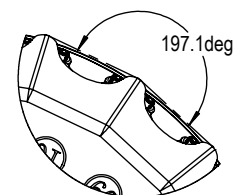
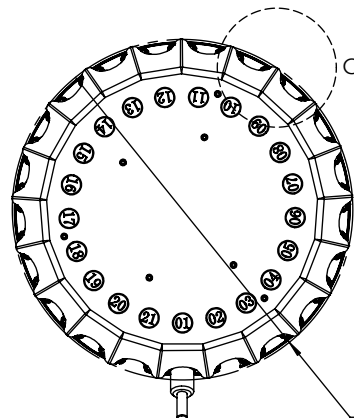
T-Slot Dimensions in inches

Tool Changer

TOOL CHANGE HEIGHT



VIEW B



VIEW C

Ø LQ
P P