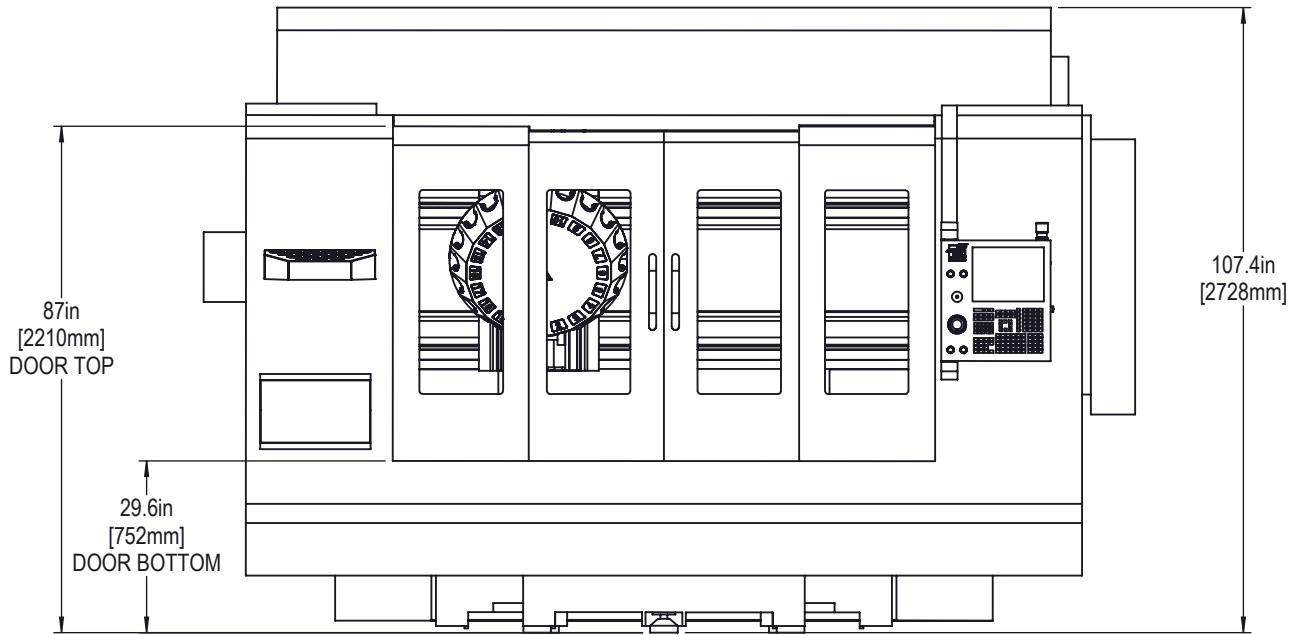


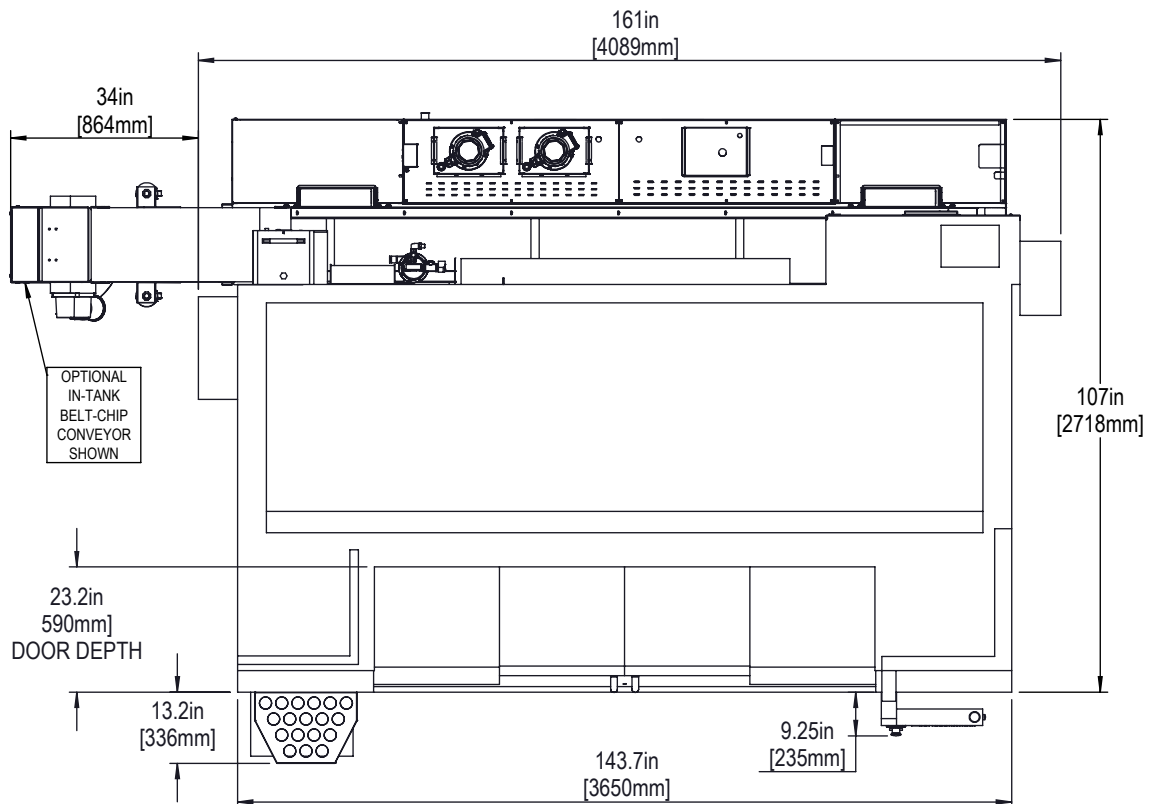


FRONT VIEW - OPERATIONAL HEIGHT



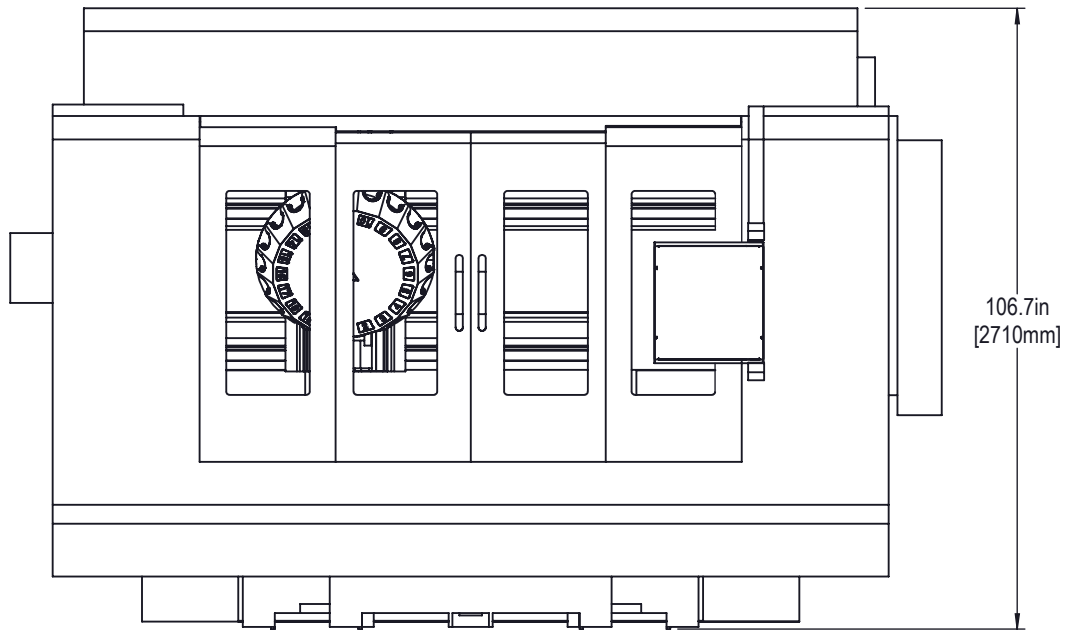
REFER TO THE INSTALLATION INSTRUCTIONS FOR STEP BY STEP GUIDANCE

TOP VIEW - OPERATIONAL DEPTH AND WIDTH





FRONT VIEW



DIMENSION SHOWN IS FROM THE BOTTOM OF THE BASE TO THE TOP OF THE ROOF

LEVELING SCREWS AND PADS ARE REMOVED TO REDUCE HEIGHT

TOP VIEW

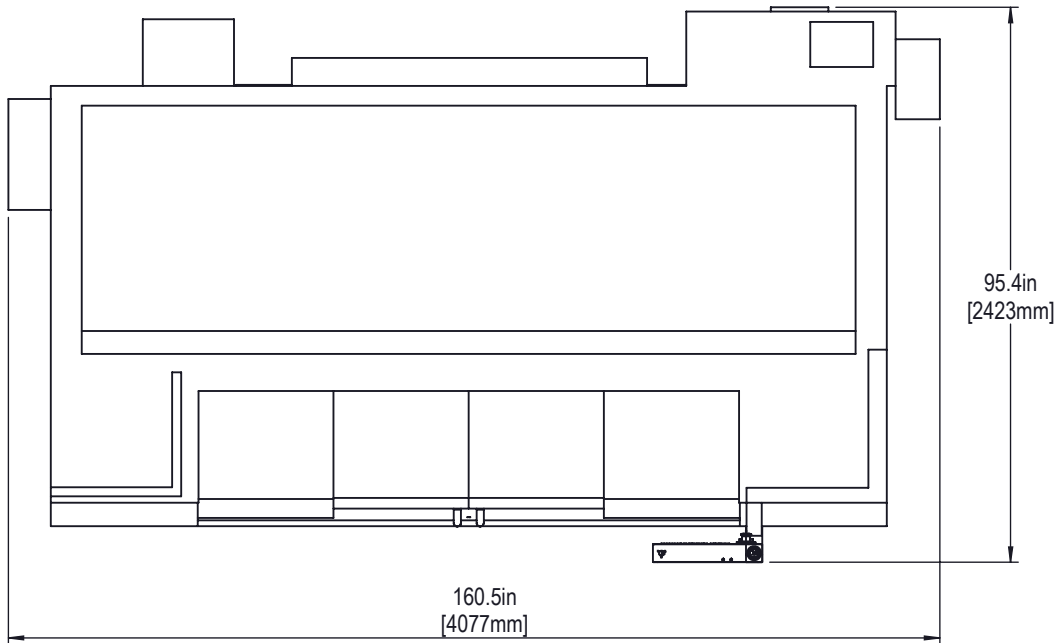
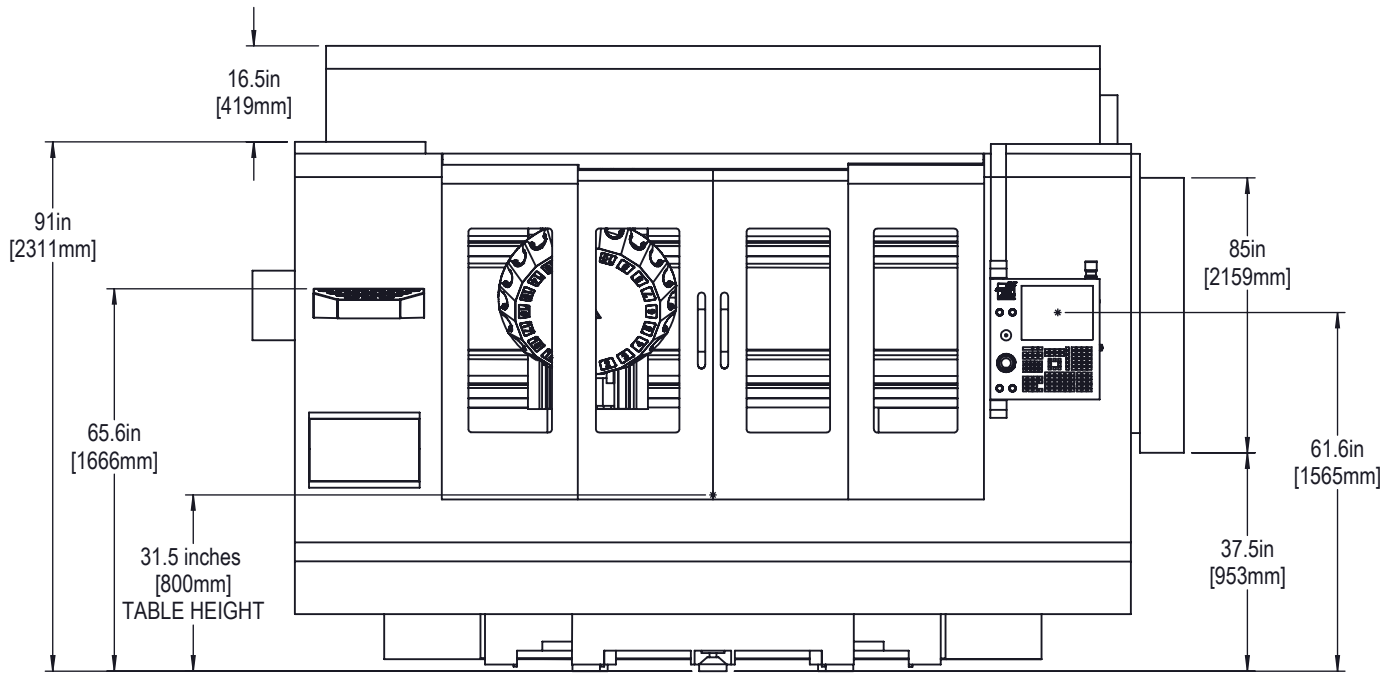


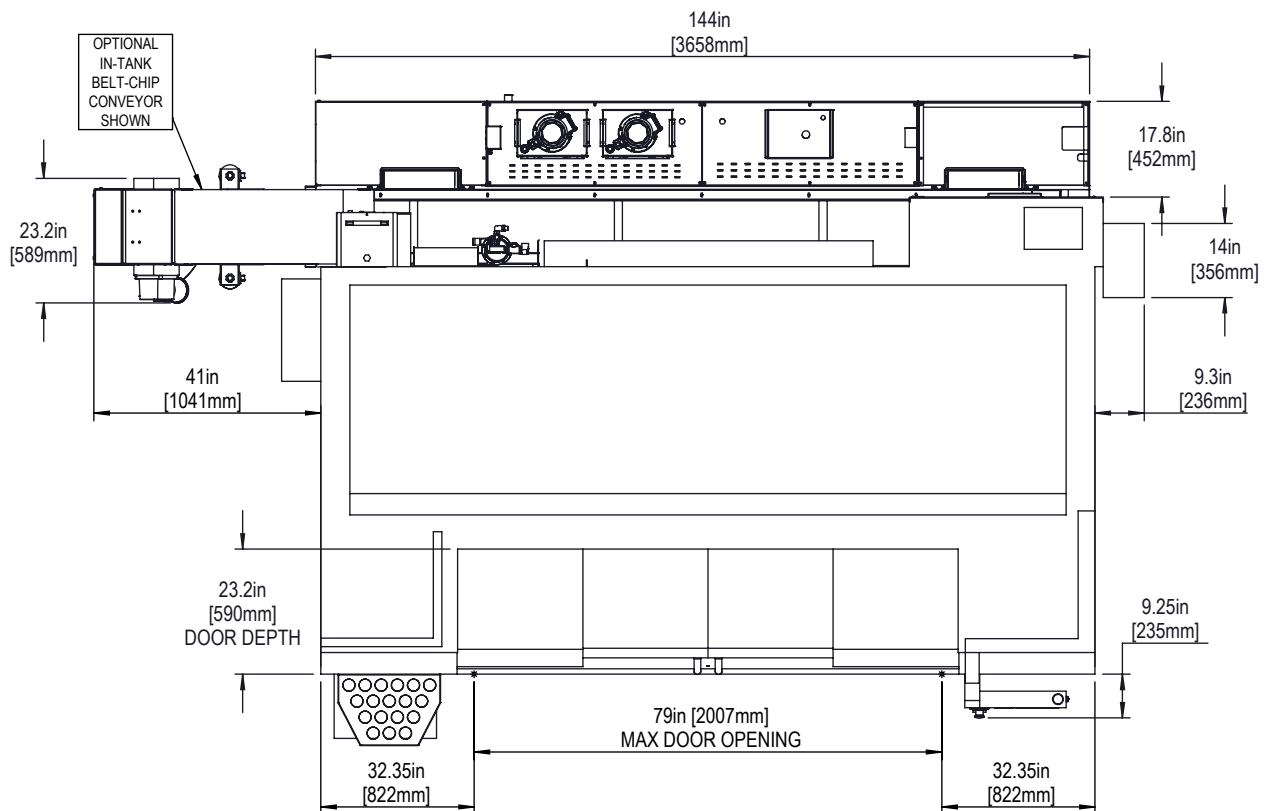
IMAGE SHOWN HAS COOLANT TANK REMOVED TO SHOW THE SMALLEST DEPTH

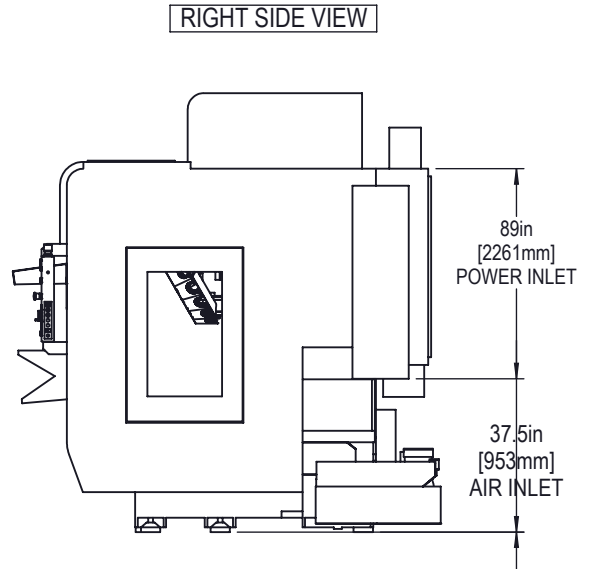
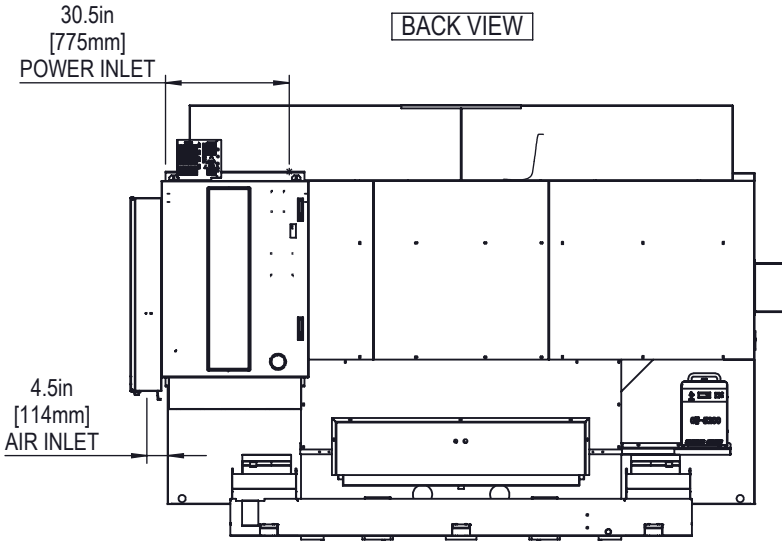


HEIGHT BREAKDOWNS



DEPTH AND WIDTH BREAKDOWNS





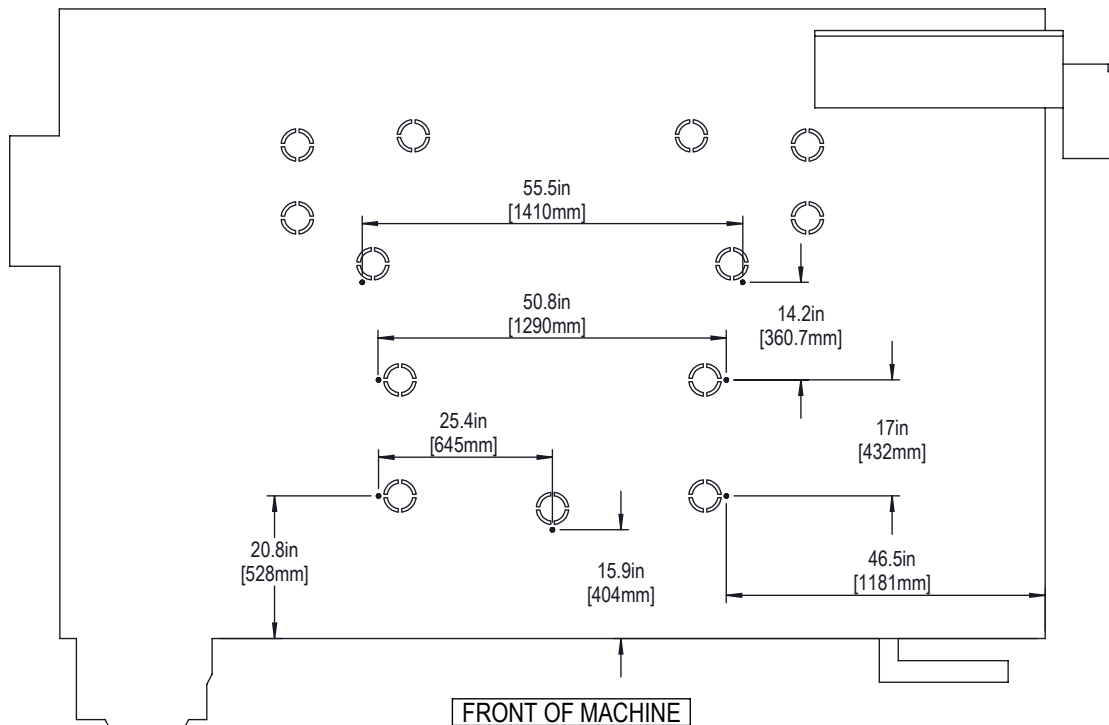
REFER TO MACHINE INSTALLATION INSTRUCTIONS FOR DETAILS

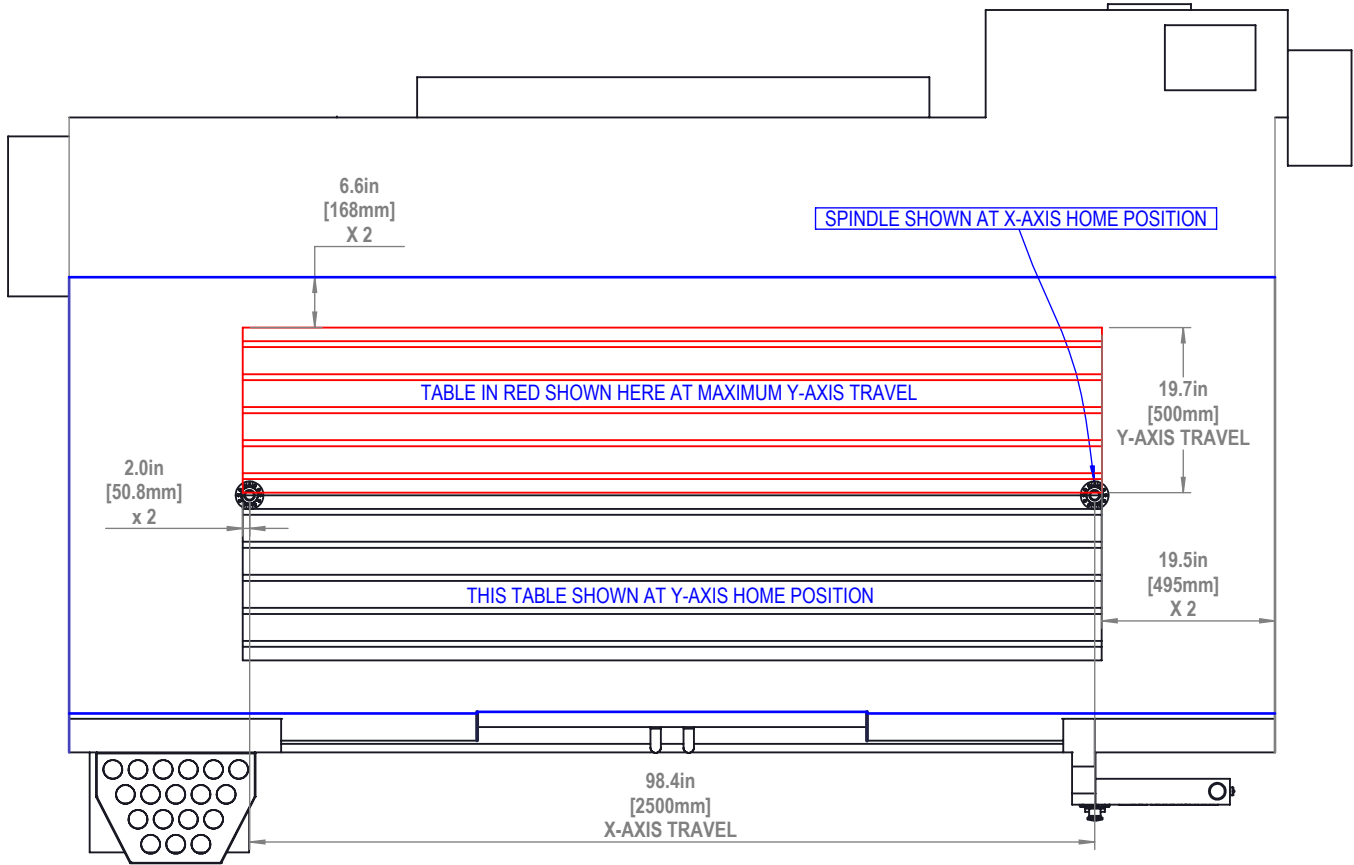
A 36in [914mm] CLEARANCE IS REQUIRED FOR ELECTRICAL CABINET

NOTE: MACHINE MUST BE PLACED ON ONE CONTINUOUS CONCRETE SLAB.  
SLAB SHOULD EXTEND 12in [305mm] BEYOND ANCHOR HOLES IN ALL DIRECTIONS

FOR PRECISE DRILLING LOCATIONS PLEASE USE THE TEMPLATE FROM THE MACHINE ANCHORING KIT

ANCHOR HOLE  
DETAILS:  
Ø 0.62in [16mm]  
▽ 2in [51mm]  
▽ 2.25in [57mm]

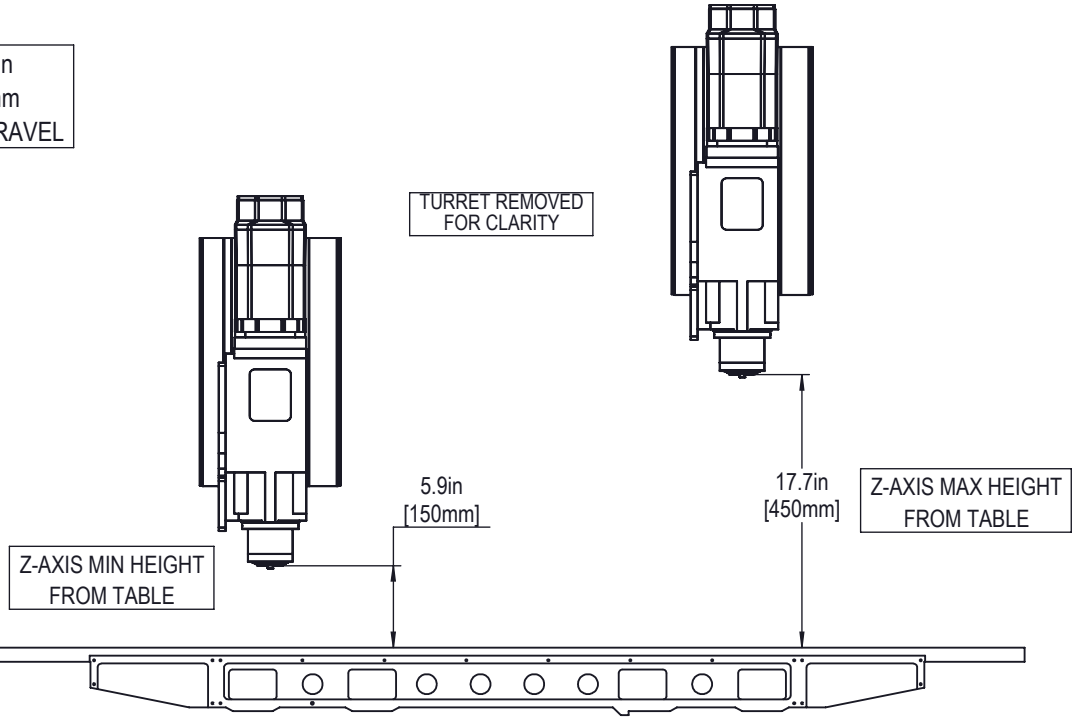




SKETCH NOT TO SCALE

11.8in  
300mm  
Z-AXIS TRAVEL

TURRET REMOVED FOR CLARITY



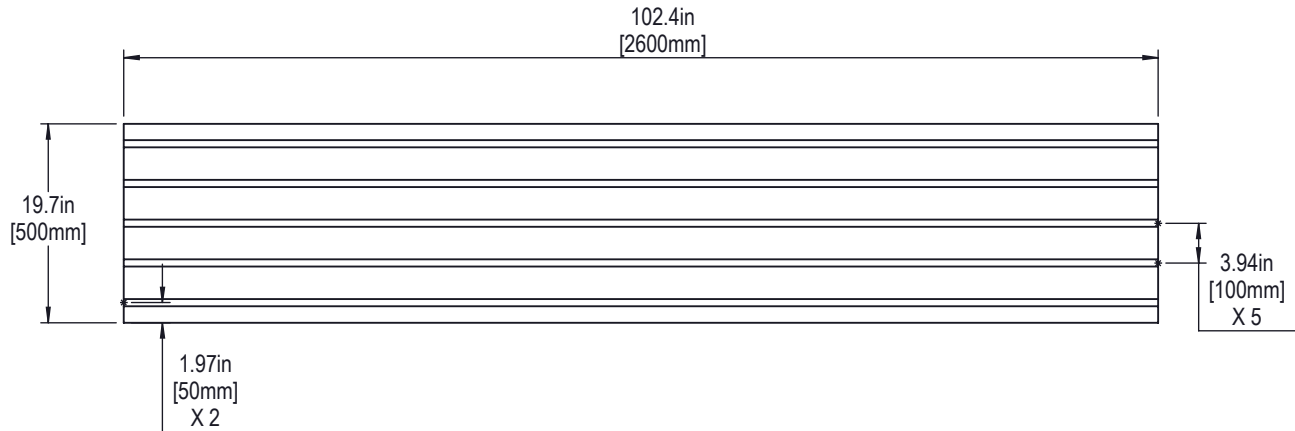
Z-AXIS MIN HEIGHT FROM TABLE

5.9in [150mm]

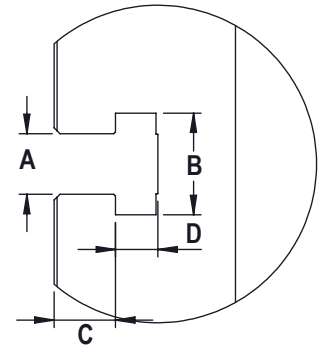
17.7in [450mm]

Z-AXIS MAX HEIGHT FROM TABLE

MACHINE TABLE FRONT VIEW



Slot Size	A	B	C	D
16mm	0.628in	1.06in	0.64in	0.42in
16mm	16mm	27mm	16mm	10.5mm



Z-AXIS SHOWN AT HOME POSITION  
HOME POSITION IS THE SAME AS TOOL-CHANGE POSITION  
Z-AXIS MOVES UP 4.25in [108mm] WHEN TURRET ROTATES

