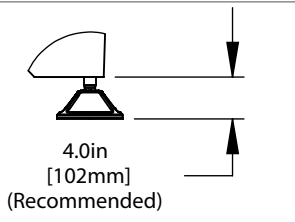
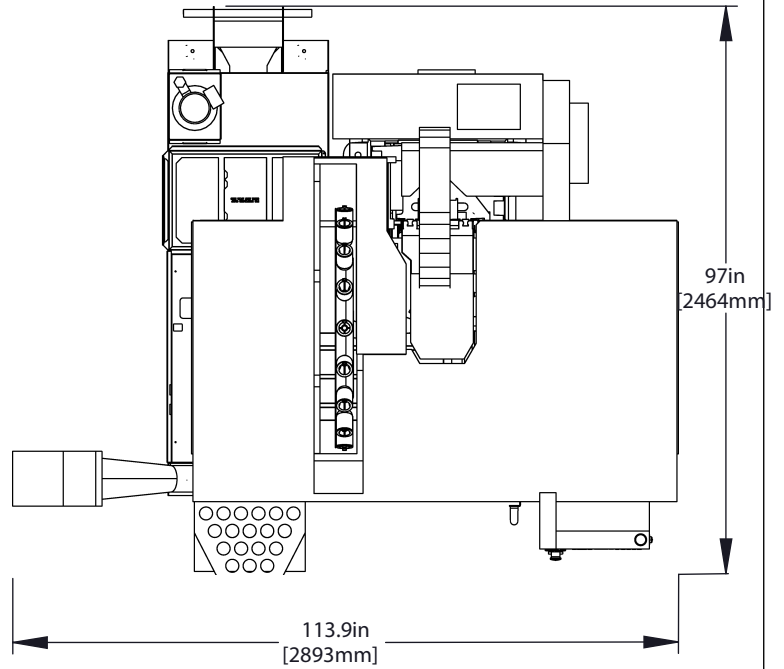
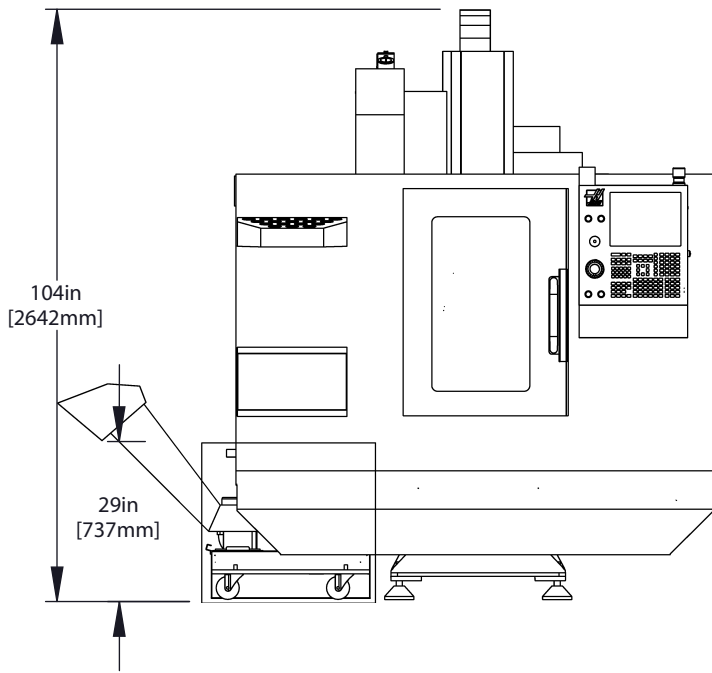
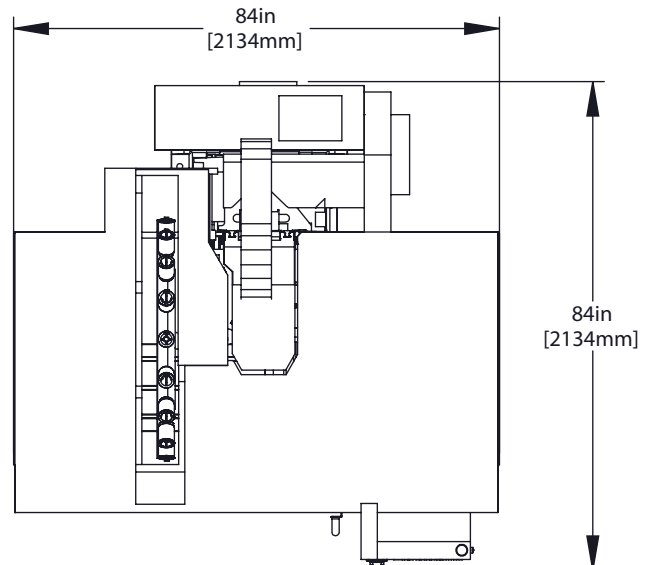
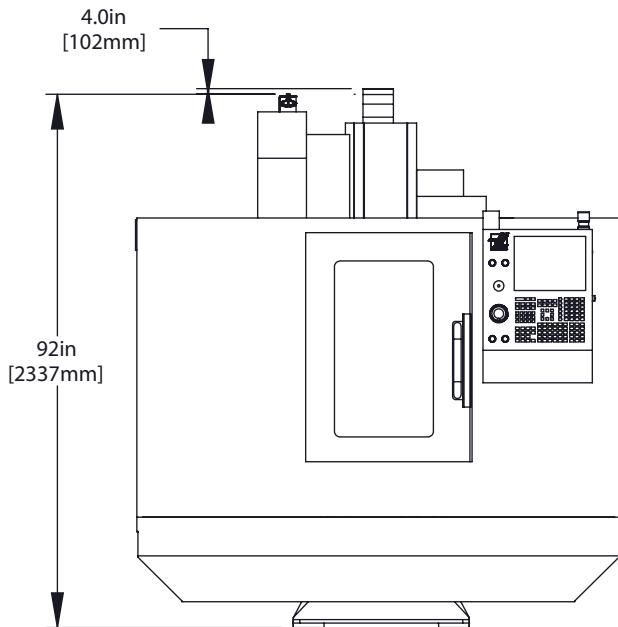


INSTALLED DIMENSIONS

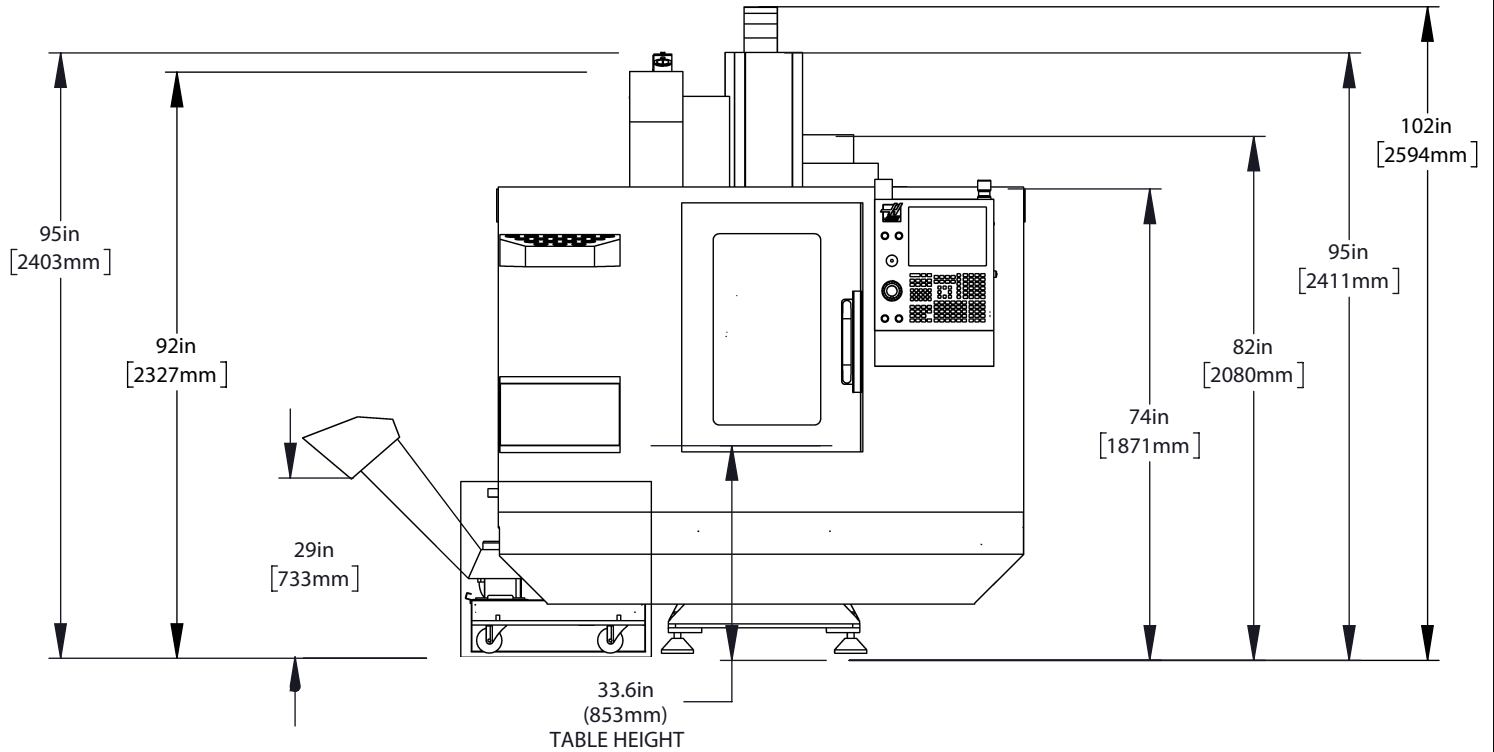


SHIPPING DIMENSIONS



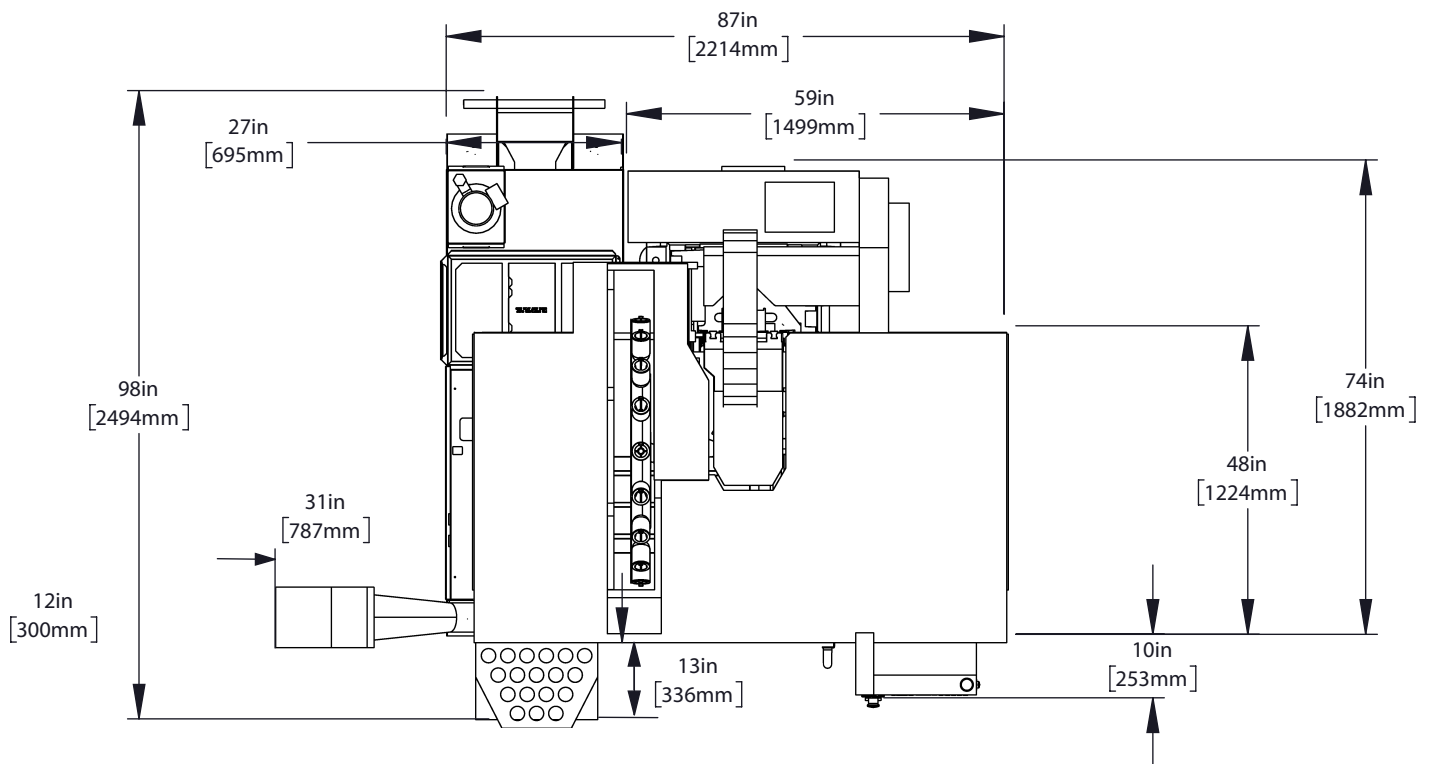
All dimensions based on stackup of sheetmetal, subject to variation of 1/2" (13 mm)

OPERATIONAL HEIGHT



All dimensions based on stackup of sheetmetal, subject to variation of 1/2" (13 mm)

OPERATIONAL WIDTH AND DEPTH



All dimensions based on stackup of sheetmetal, subject to variation of 1/2" (13 mm)

FRONT LOADING AUTO-DOOR

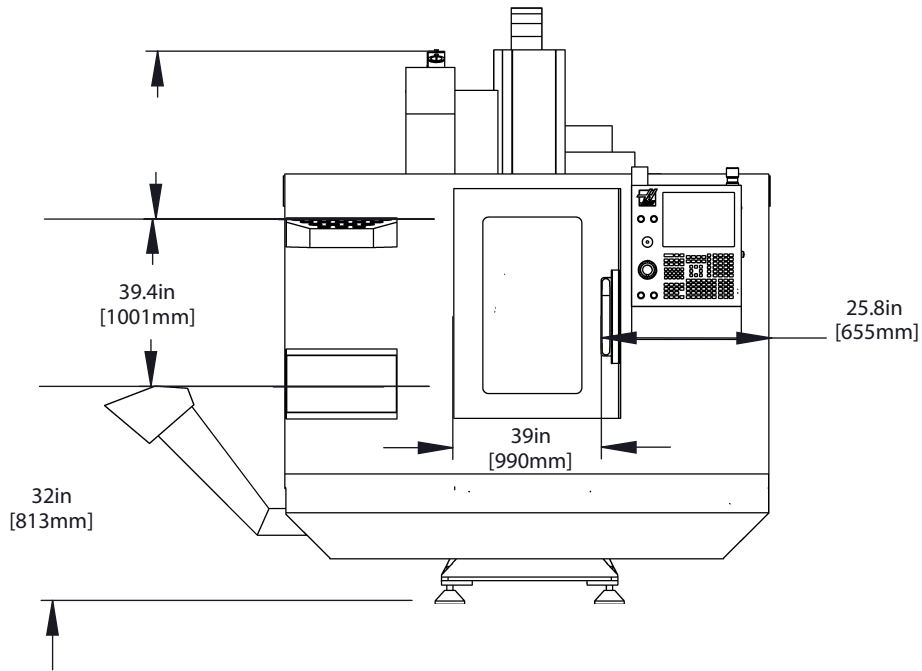
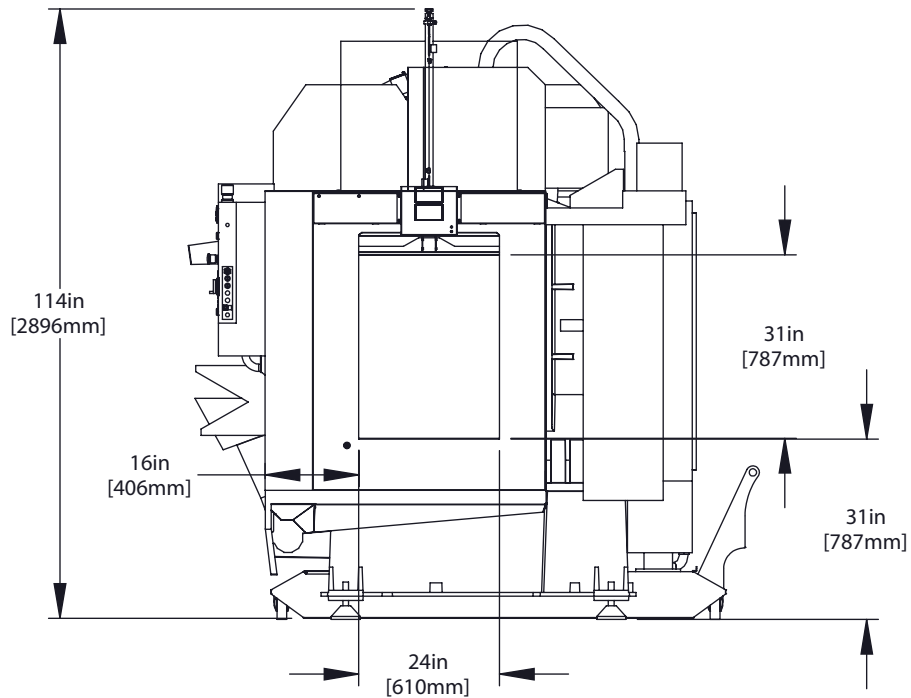


TABLE HEIGHT IS
33.6in (853mm)

All dimensions based on stackup of sheetmetal, subject to variation of 1/2" (13 mm)

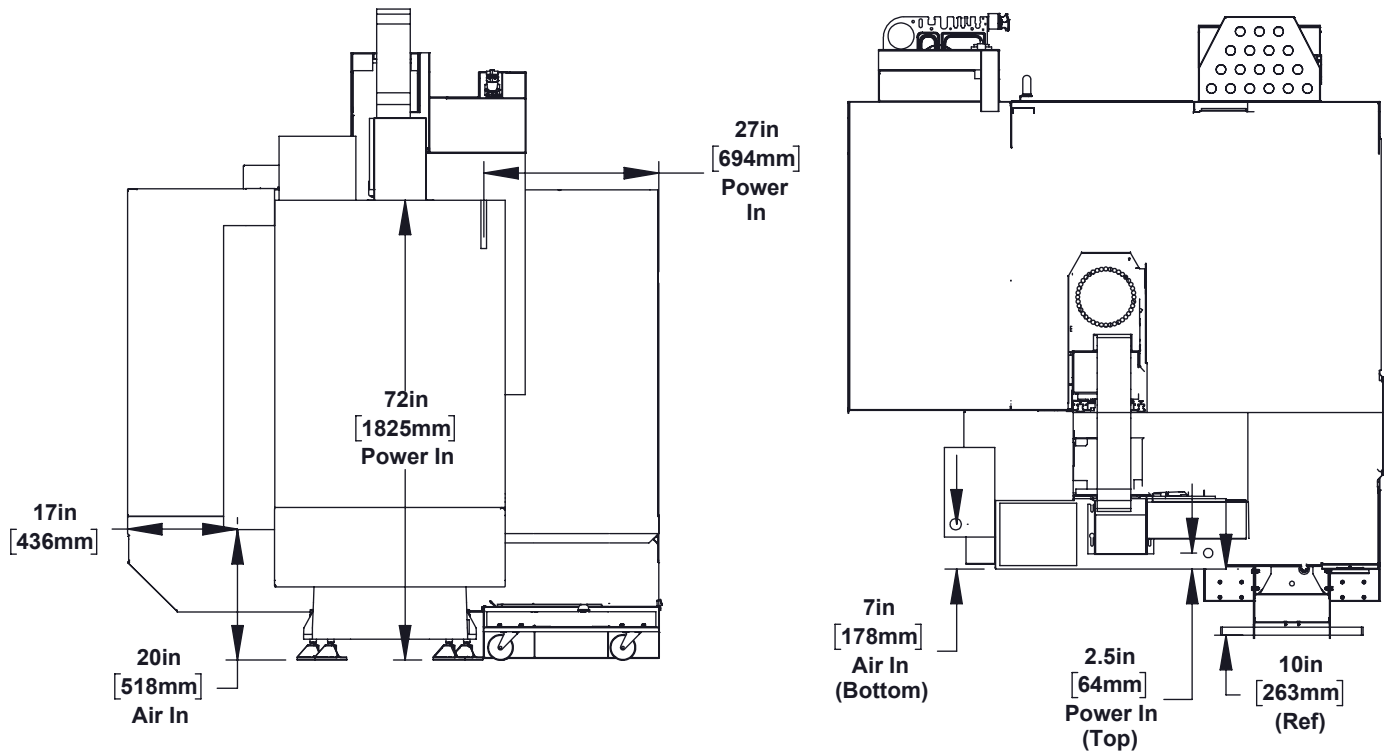
SIDE LOADING AUTO-WINDOW

HEIGHTS MAY VARY
BASED ON
INSTALLATION HEIGHT



All dimensions based on stackup of sheetmetal, subject to variation of 1/2" (13 mm)

AIR & POWER

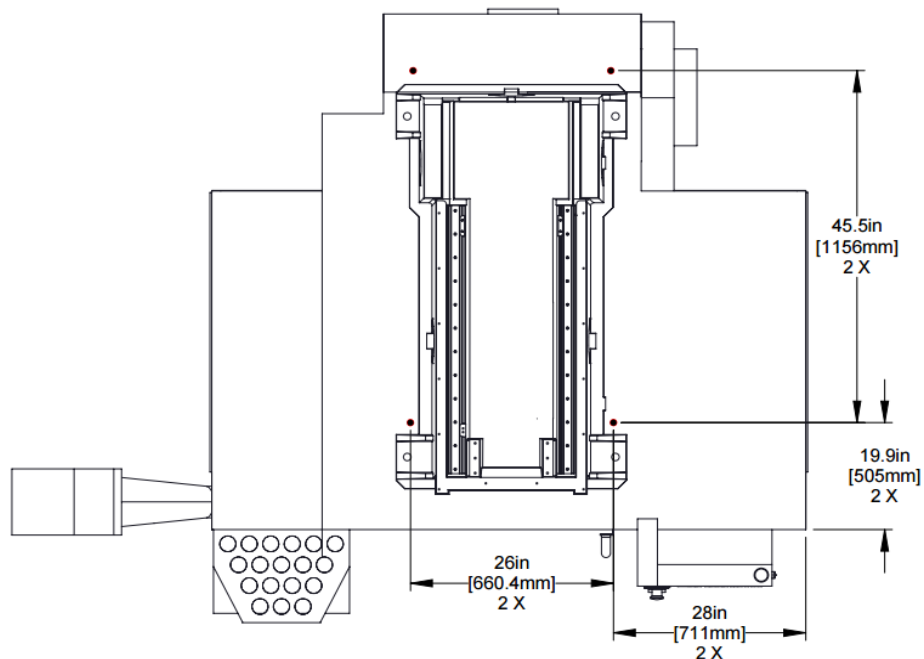


All dimensions based on stackup of sheetmetal, subject to variation of 1/2" (13 mm)

ANCHORING PATTERN

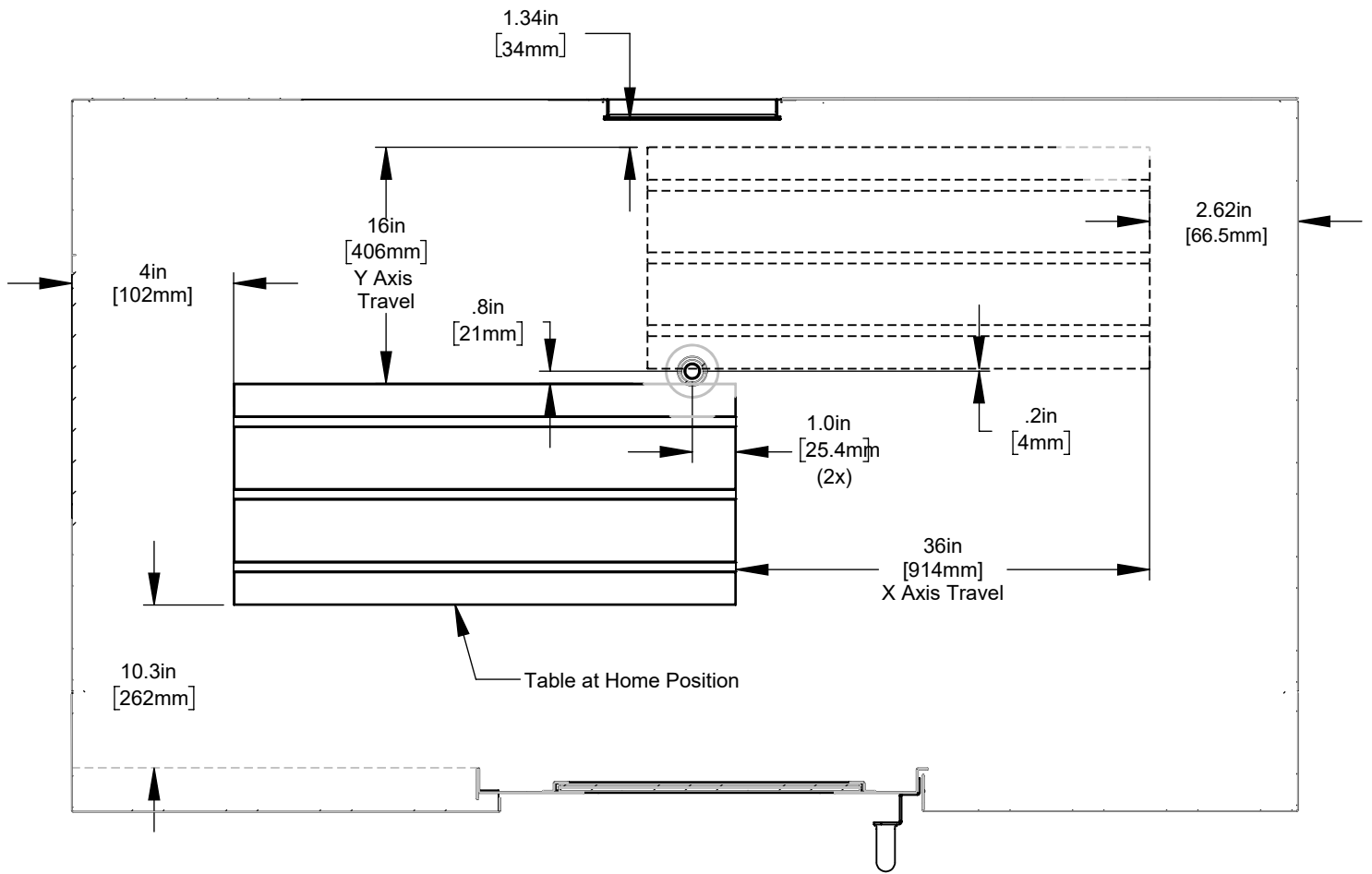
Anchor Hole Detail:
 ∅ 0.625in [16mm]
 ∇ 2.0in to 2.25in
 ∇ 51mm to 57mm

Anchoring kit available
 includes floor template
 & hardware needed

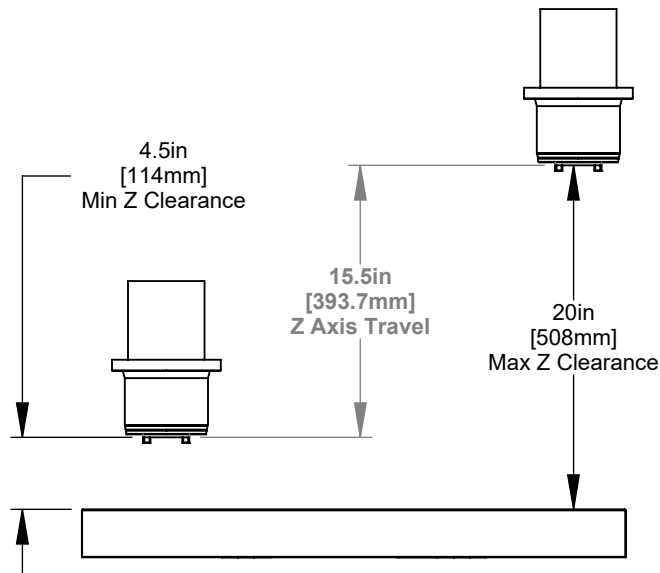


Note: Machine must be placed on one continous concrete slab. Slab should extend 12in [305mm] beyond anchor holes in all directions

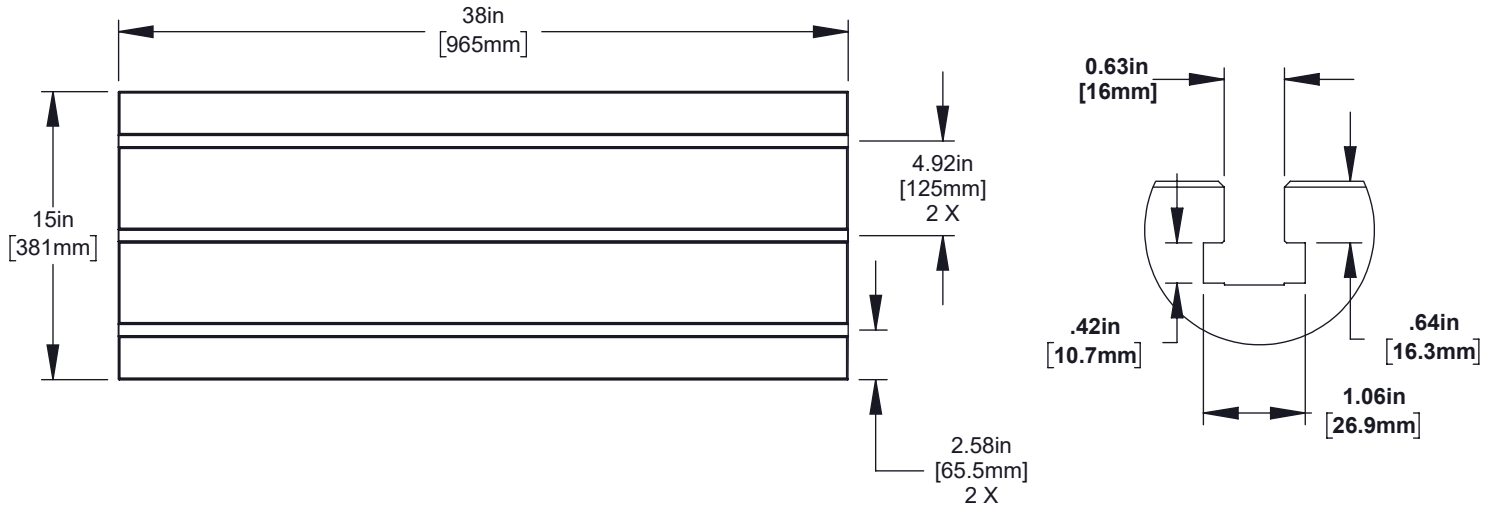
X & Y AXIS TRAVELS



Z-AXIS TRAVEL



TABLE



All dimensions based on stackup of sheetmetal, subject to variation of 1/2" (13 mm)

TOOL CHANGER

