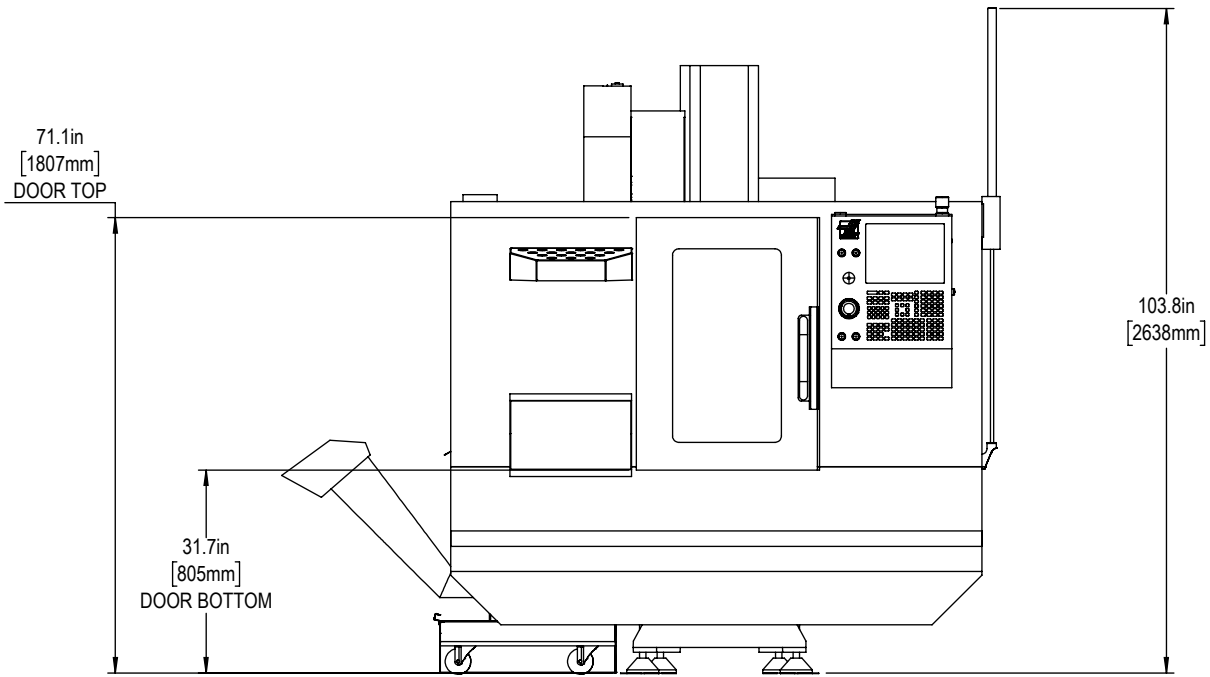


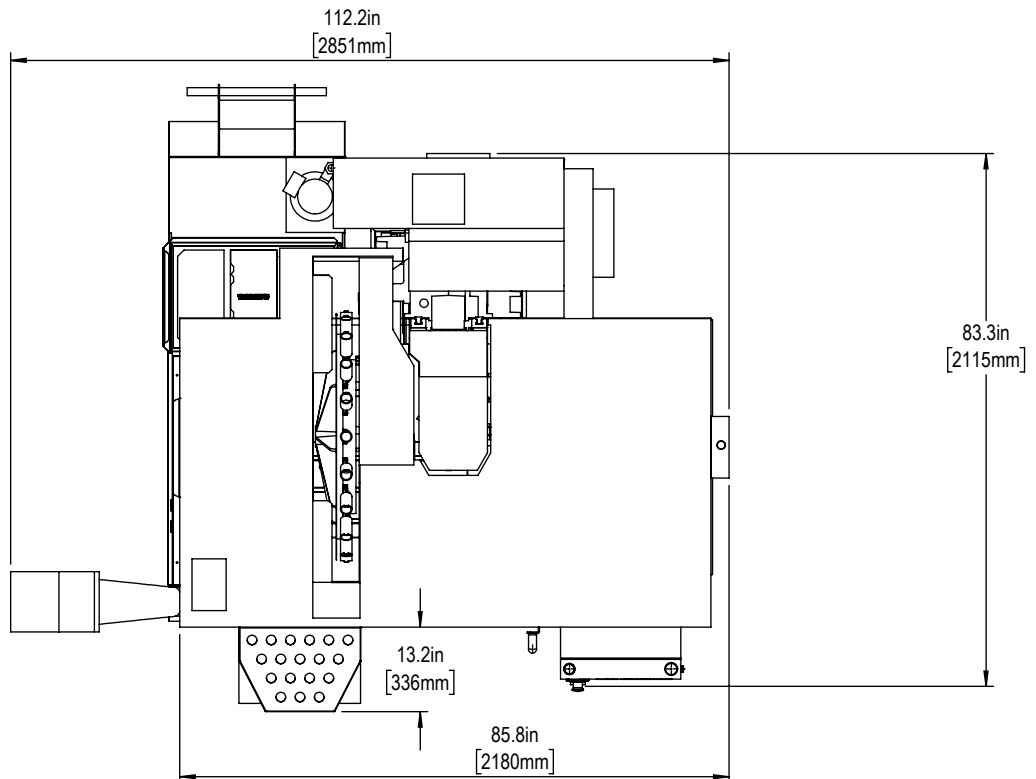


FRONT VIEW - OPERATIONAL HEIGHT



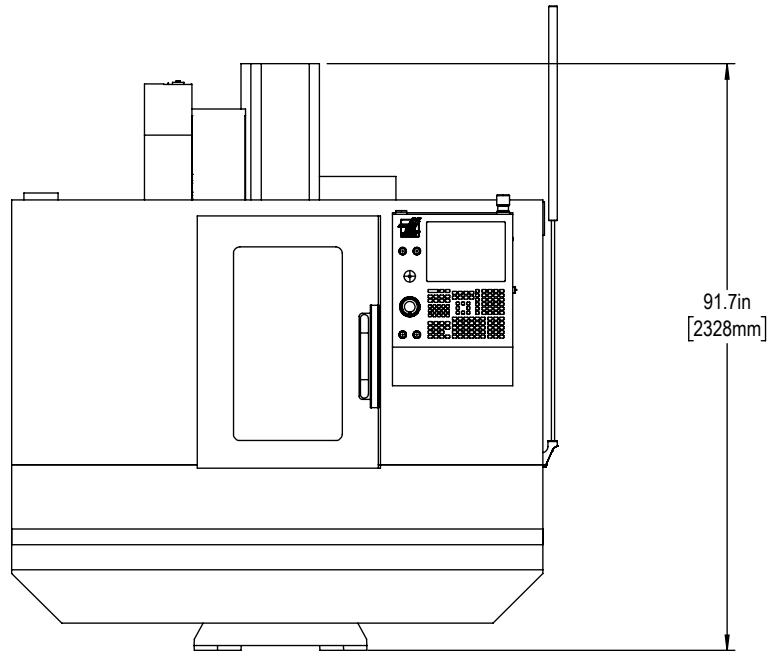
REFER TO THE INSTALLATION INSTRUCTIONS FOR STEP BY STEP GUIDANCE

TOP VIEW - OPERATIONAL DEPTH AND WIDTH





FRONT VIEW



DIMENSION SHOWN IS FROM THE BOTTOM OF THE BASE TO THE TOP OF THE ROOF

LEVELING SCREWS AND PADS ARE REMOVED TO REDUCE HEIGHT

TOP VIEW

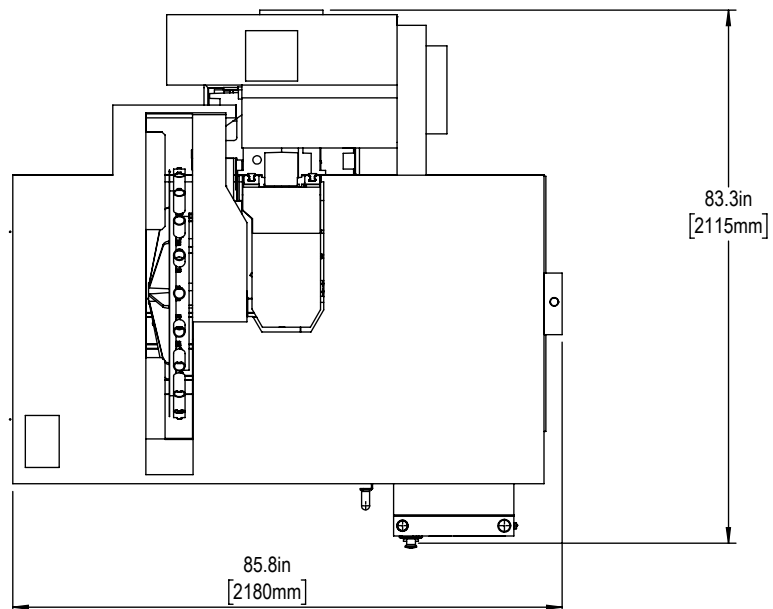
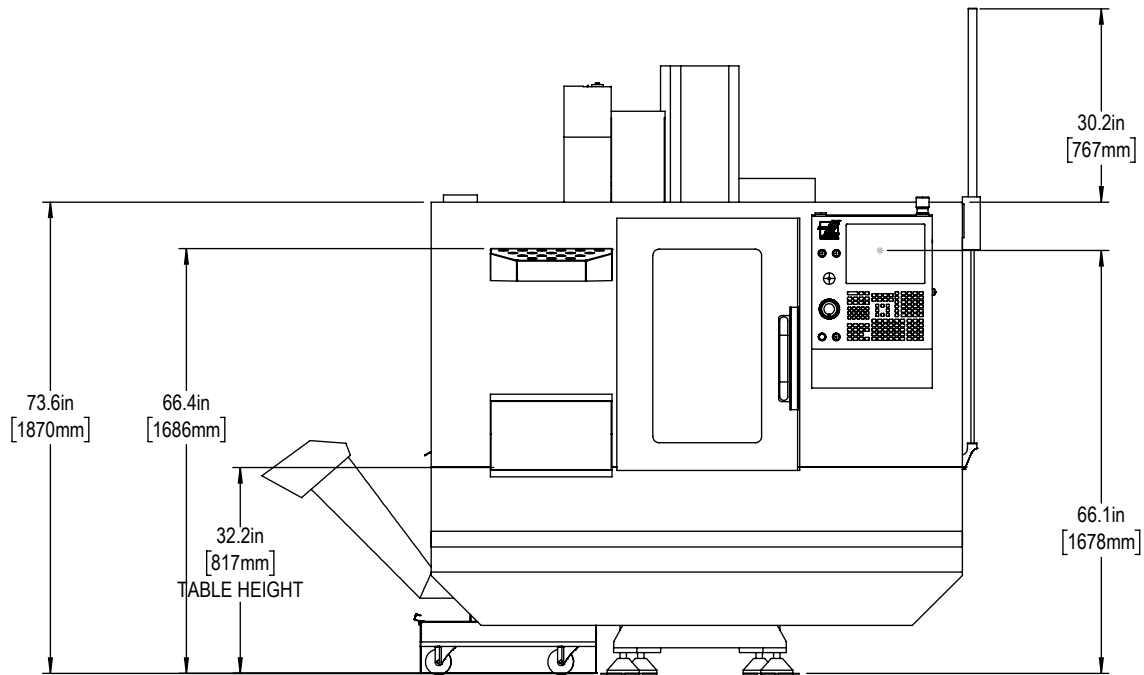


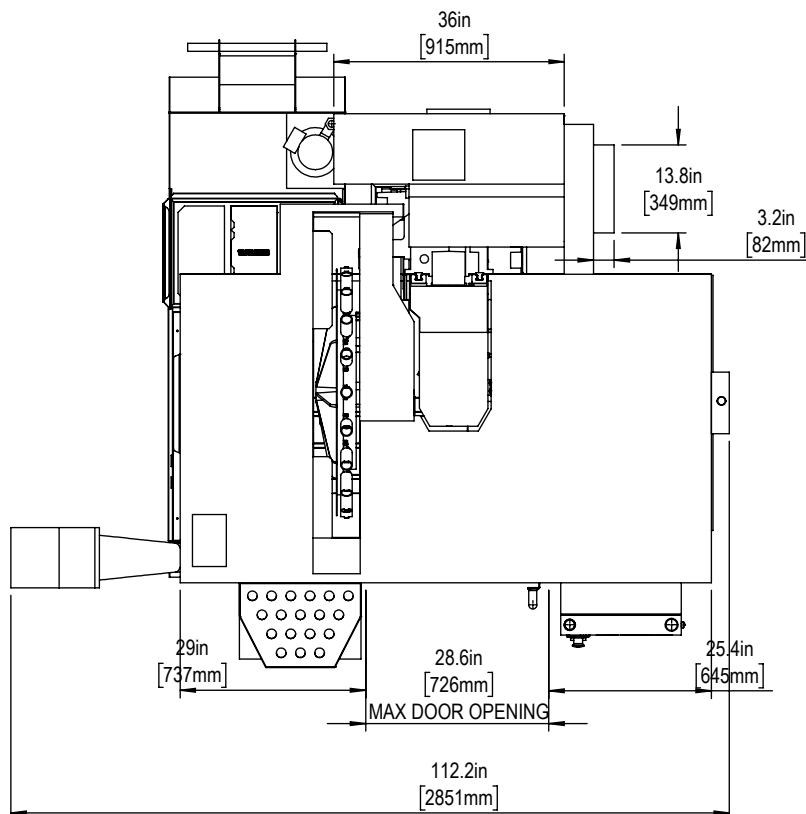
IMAGE SHOWN HAS COOLANT TANK REMOVED TO SHOW THE SMALLEST DEPTH

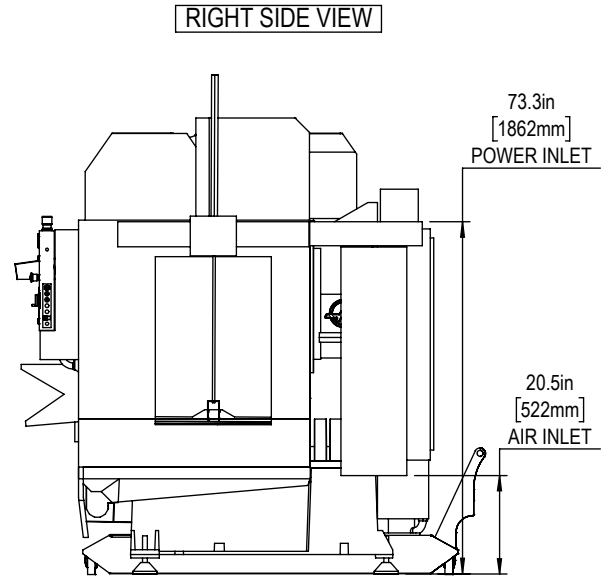
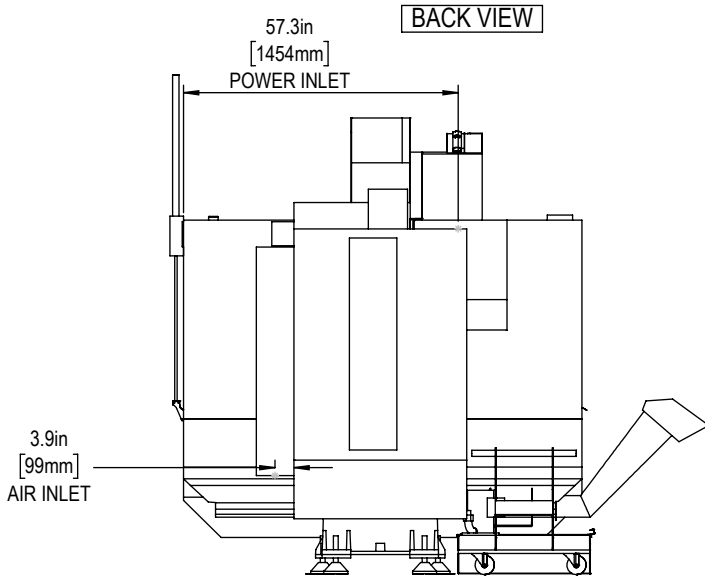


HEIGHT BREAKDOWNS



DEPTH AND WIDTH BREAKDOWNS





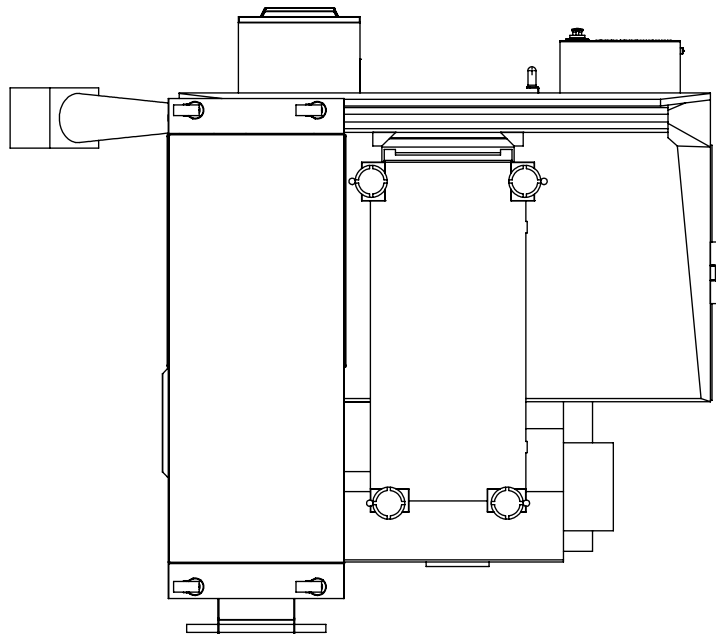
REFER TO MACHINE INSTALLATION INSTRUCTIONS FOR DETAILS

A 36in [914mm] CLEARANCE IS REQUIRED FOR ELECTRICAL CABINET

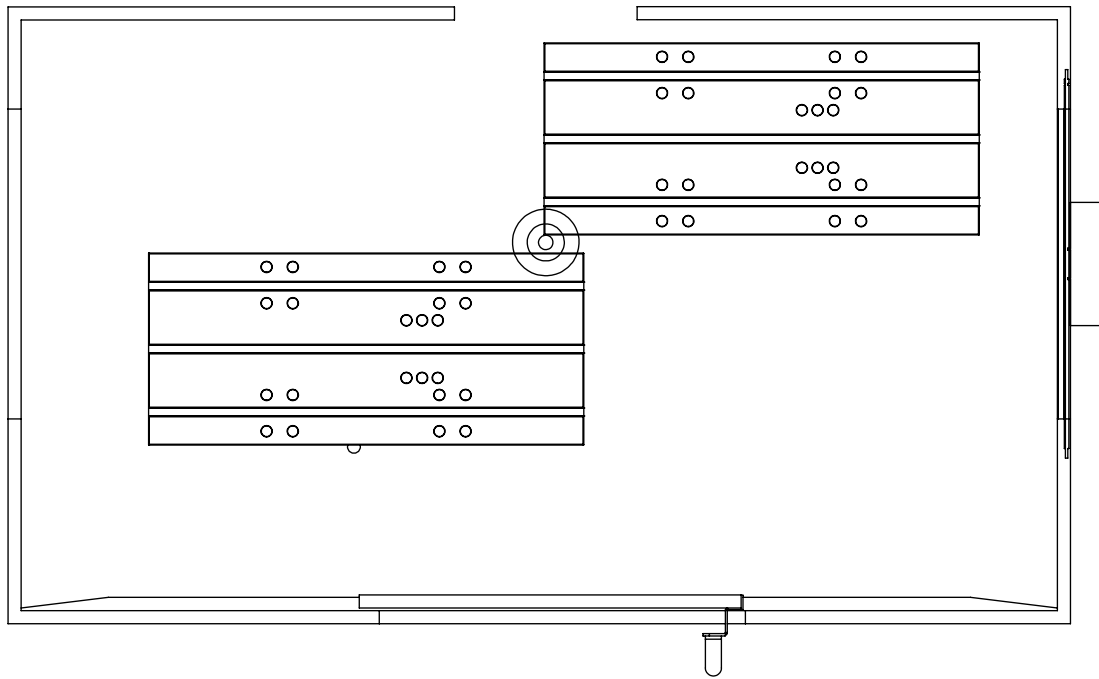
NOTE: MACHINE MUST BE PLACED ON ONE CONTINUOUS CONCRETE SLAB.
SLAB SHOULD EXTEND 12in [305mm] BEYOND ANCHOR HOLES IN ALL DIRECTIONS

**ANCHOR HOLE
DETAILS:**

- ∅ 0.62in [16mm]
- ▽ 2in [51mm]
- ▽ 2.25in [57mm]

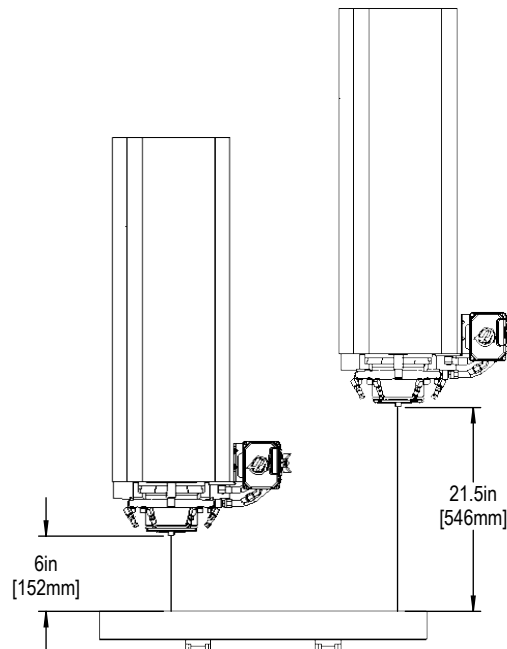


FOR PRECISE DRILLING LOCATIONS PLEASE USE THE TEMPLATE FROM THE MACHINE ANCHORING KIT



X-Y AXIS TRAVEL EXTENTS AND CLEARANCES ARE AVAILABLE FOR DIRECT DOWNLOAD FROM WEBSITE

SKETCH NOT TO SCALE

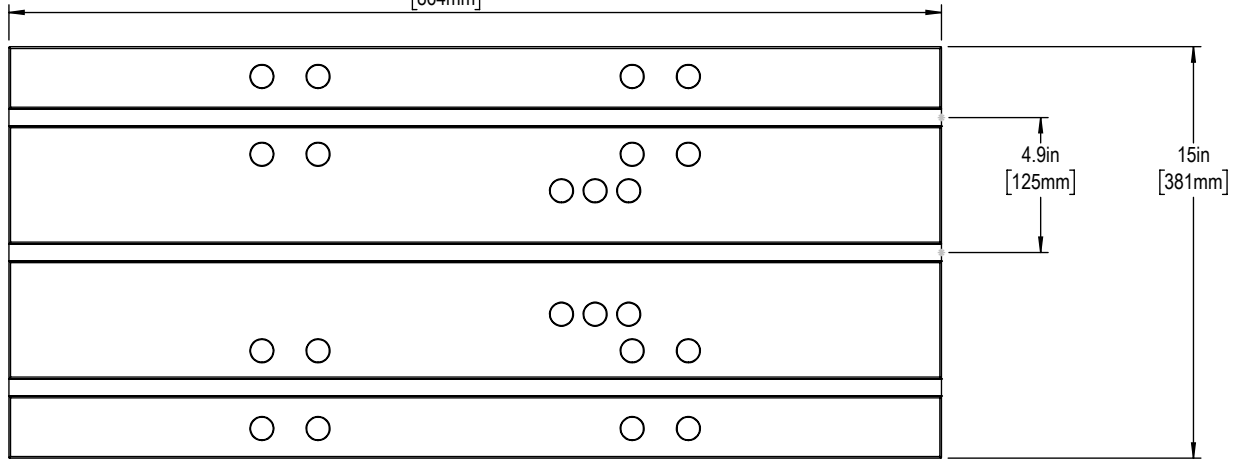


MACHINE TABLE FRONT VIEW

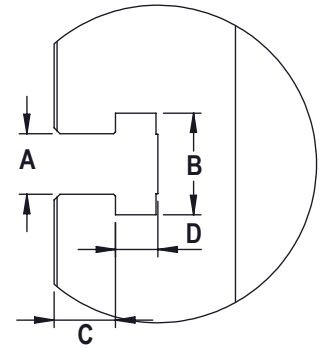
Z AXIS TRAVEL EXTENTS AND CLEARANCES ARE AVAILABLE FOR DIRECT DOWNLOAD FROM WEBSITE



TABLE
34in
[864mm]



Slot Size	A	B	C	D
16mm	0.628in	1.06in	0.64in	0.42in
16mm	16mm	27mm	16mm	10.5mm



TOOL CHANGER

