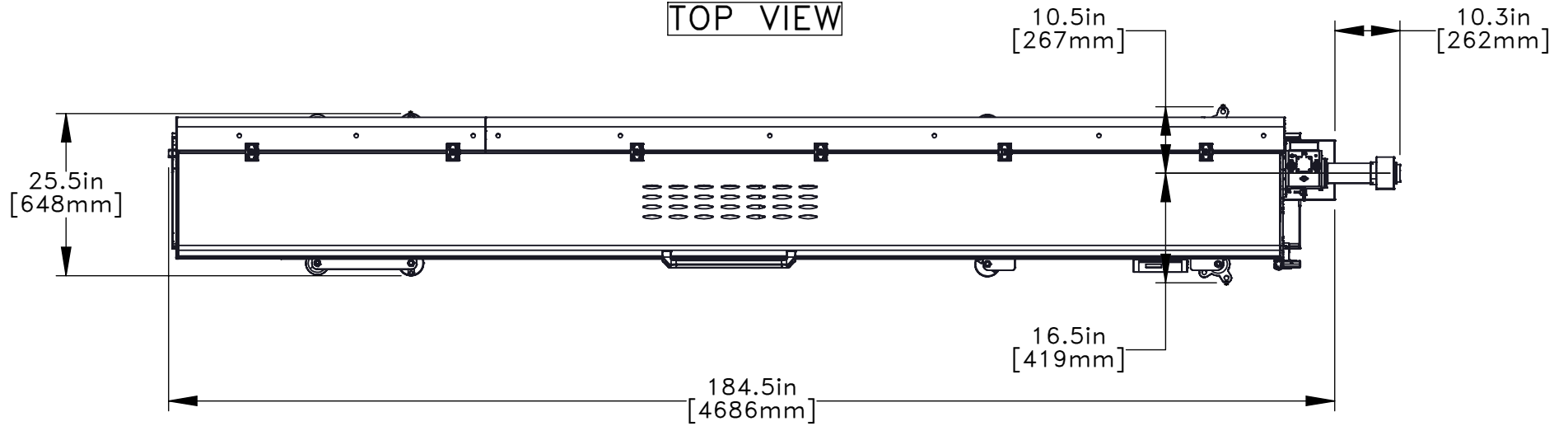
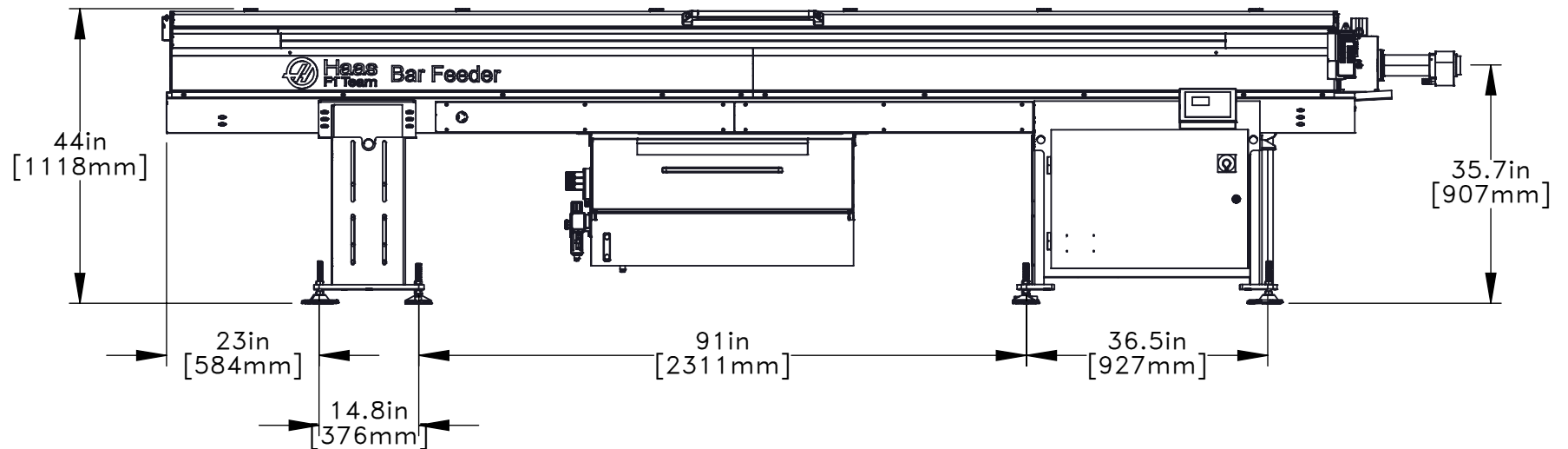




TOP VIEW

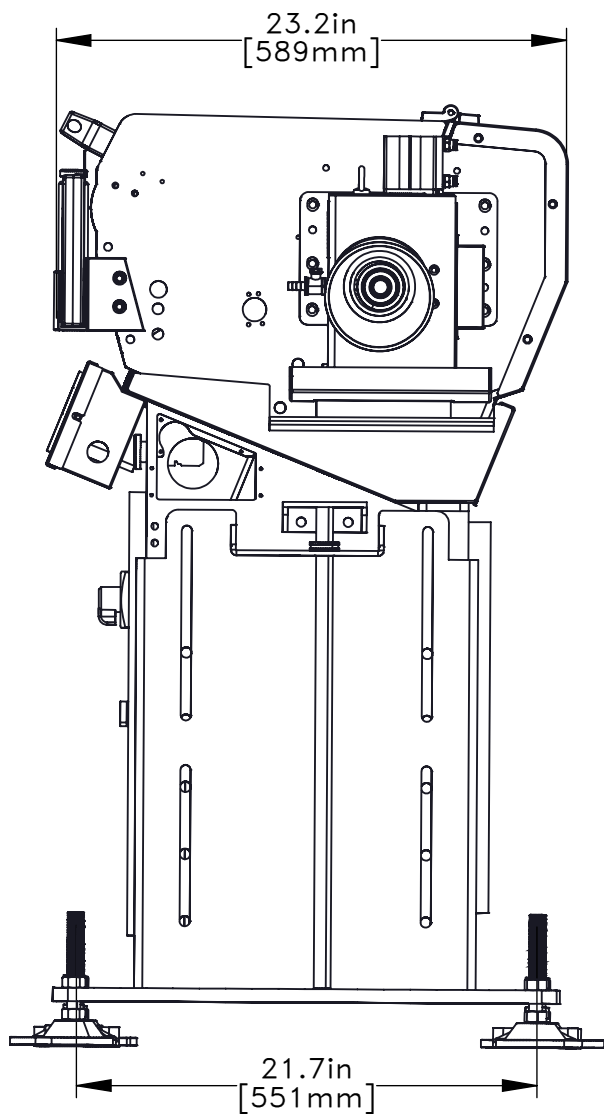


FRONT VIEW





RIGHT SIDE VIEW



ISOMETRIC DETAILED  
PARTIAL VIEW

