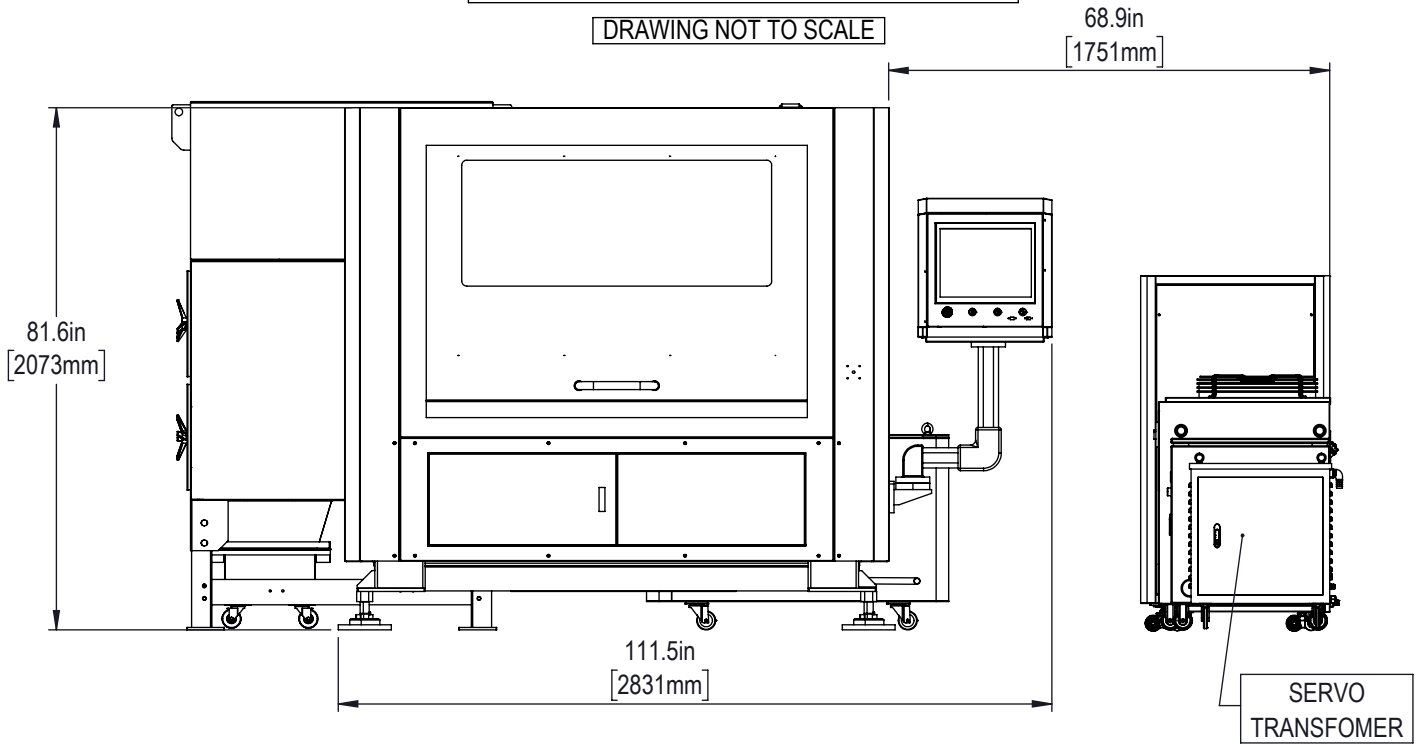


FRONT VIEW - OPERATIONAL HEIGHT DIMENSION

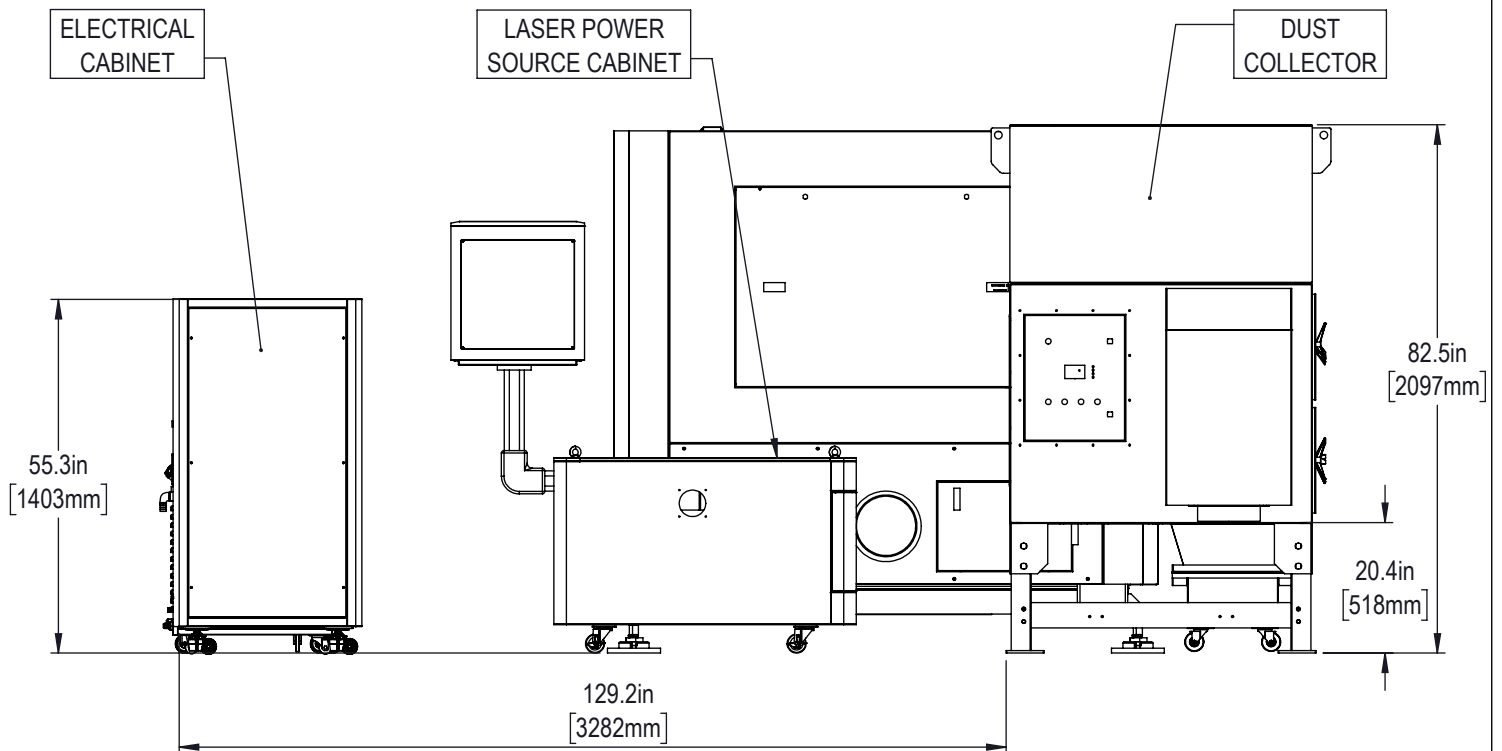
DRAWING NOT TO SCALE



CONTROL PENDANT SUBJECT TO MOUNTING ORIENTATION CHANGE  
POSITION AND SIZE OF ANCILLARY EQUIPMENT IS SUBJECT TO CHANGE

REAR VIEW - OPERATIONAL DEPTH AND WIDTH DIMENSIONS

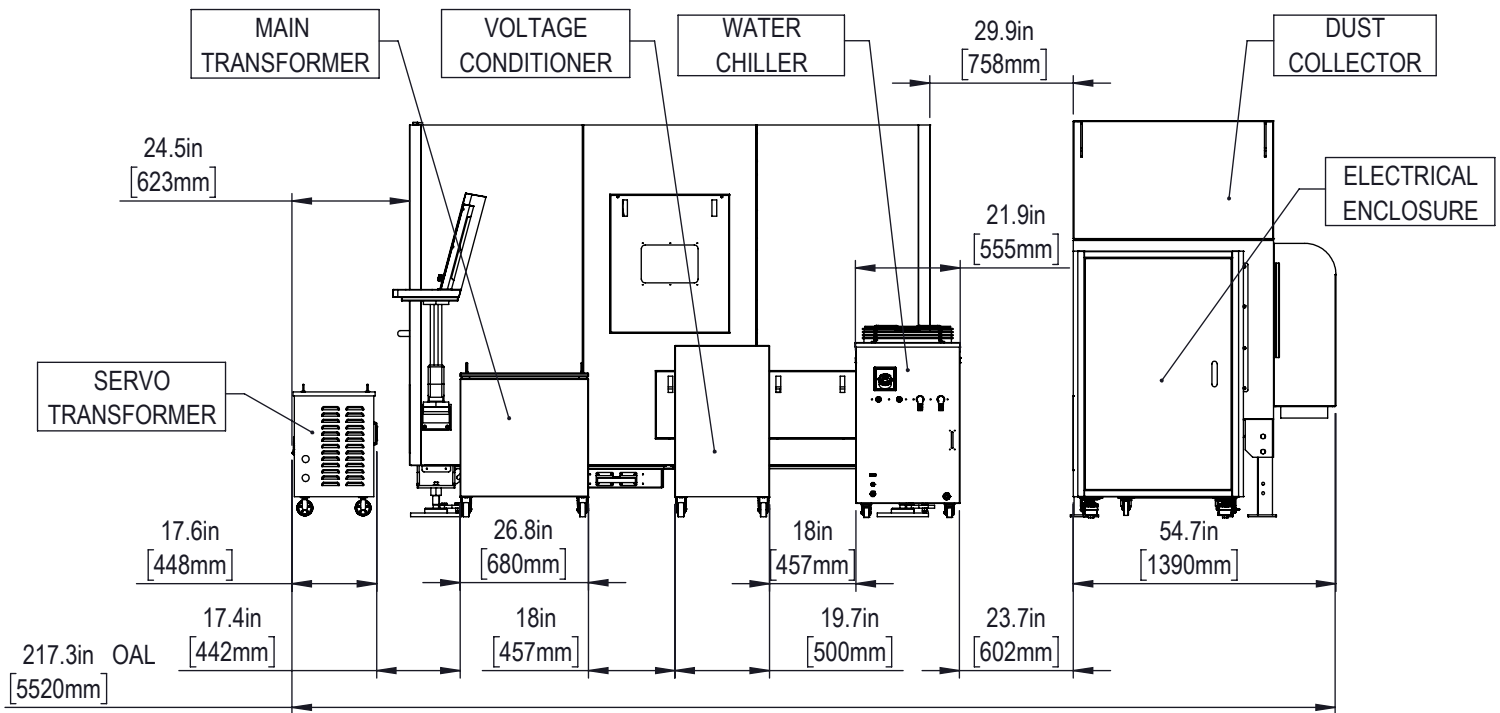
DRAWING NOT TO SCALE



POSITION AND SIZE OF ANCILLARY EQUIPMENT IS SUBJECT TO CHANGE

RIGHT VIEW

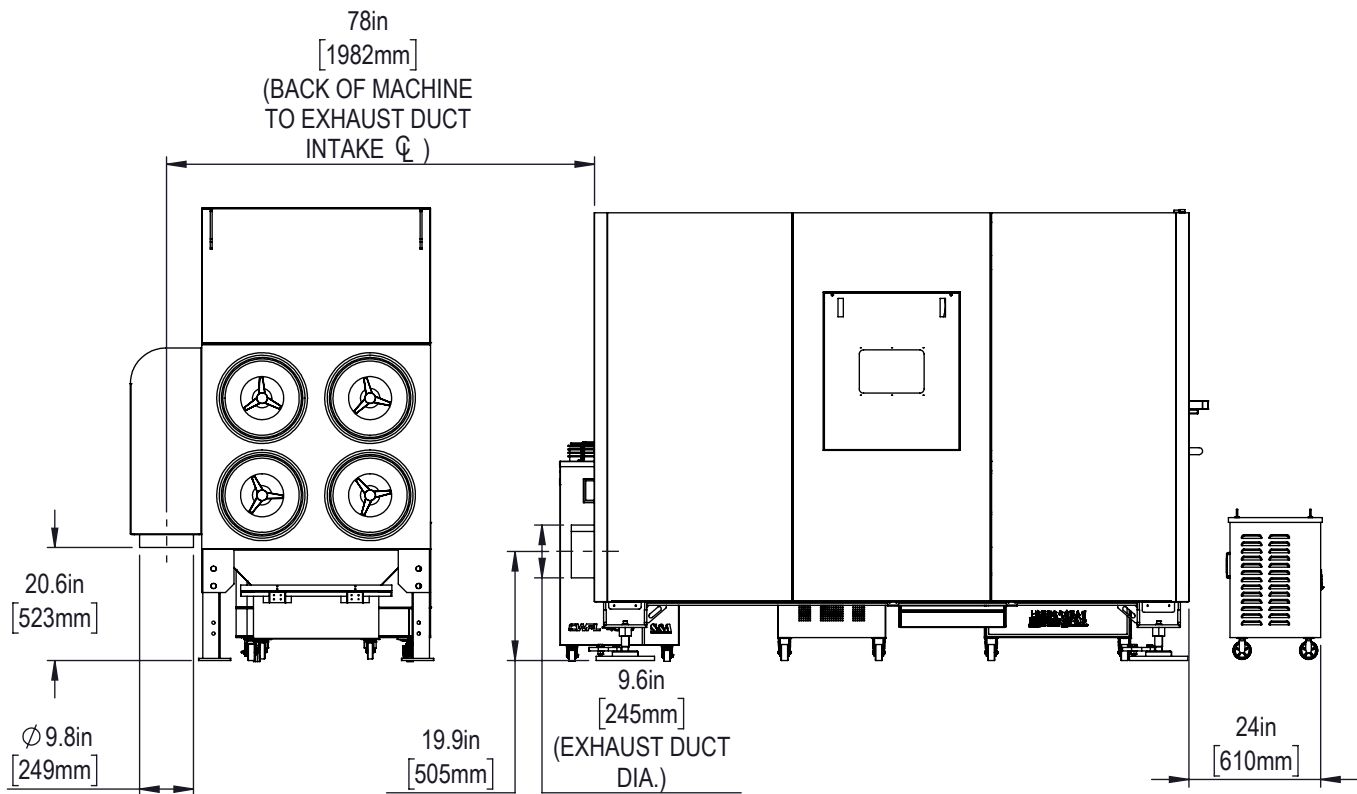
DRAWING NOT TO SCALE



POSITION AND SIZE OF ANCILLARY EQUIPMENT IS SUBJECT TO CHANGE

LEFT VIEW

DRAWING NOT TO SCALE

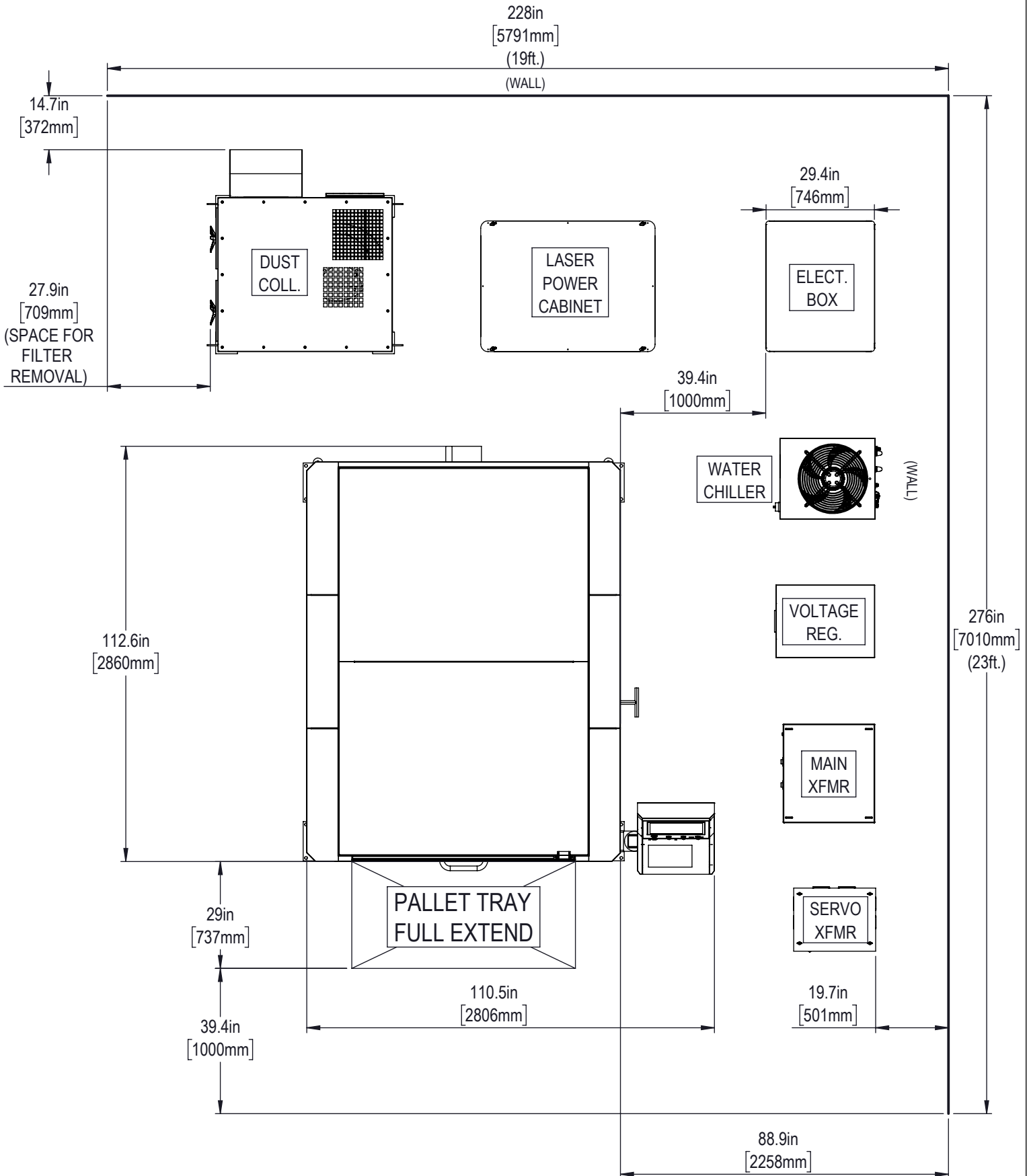


POSITION AND SIZE OF ANCILLARY EQUIPMENT IS SUBJECT TO CHANGE



TOP VIEW

DRAWING NOT TO SCALE

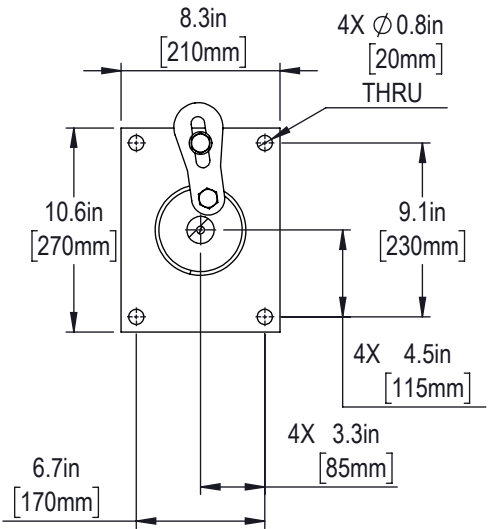
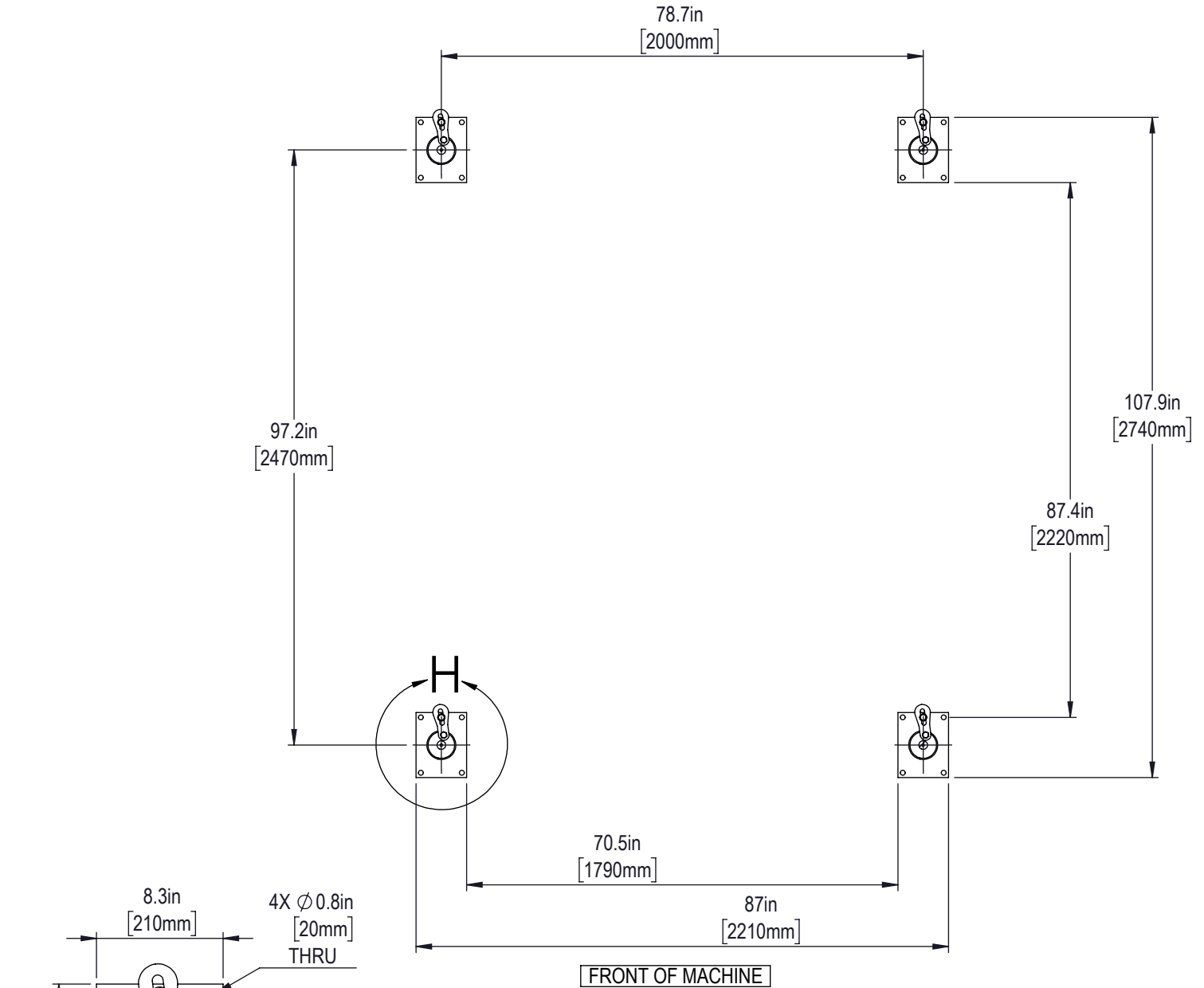


SEE SERVICE INSTALLATION INSTRUCTIONS FOR DETAILS



ANCHOR PAD LAYOUT

DRAWING NOT TO SCALE



DETAIL H  
SCALE 1 : 10

SEE SERVICE INSTALLATION INSTRUCTIONS FOR DETAILS