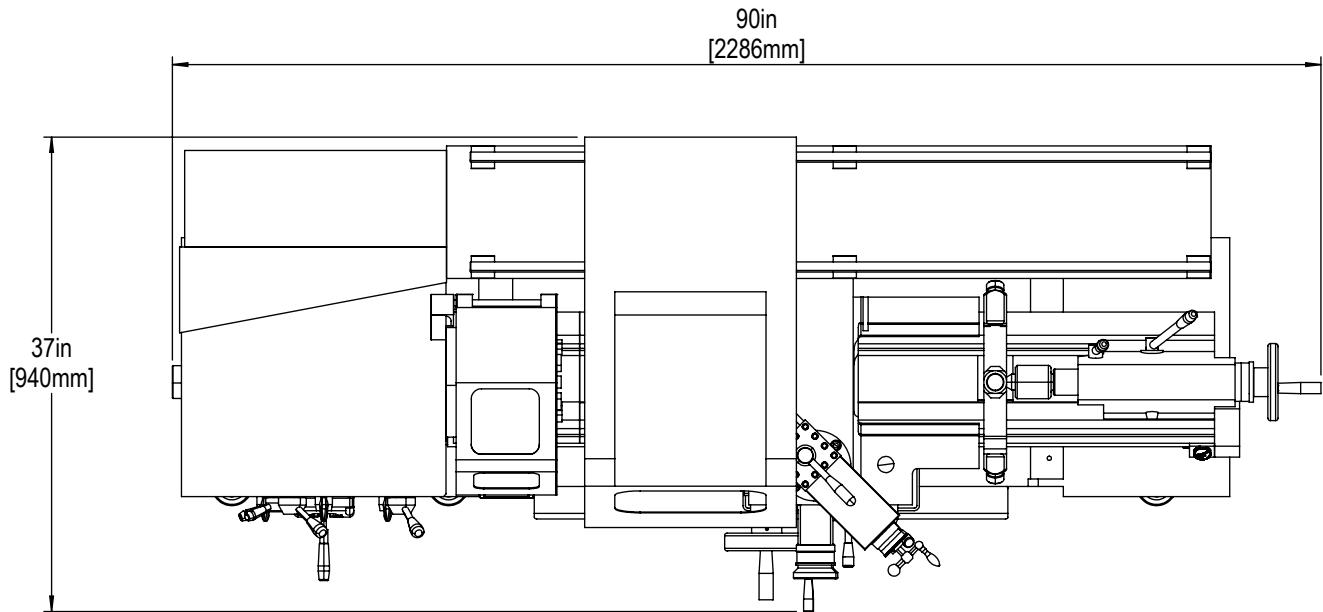
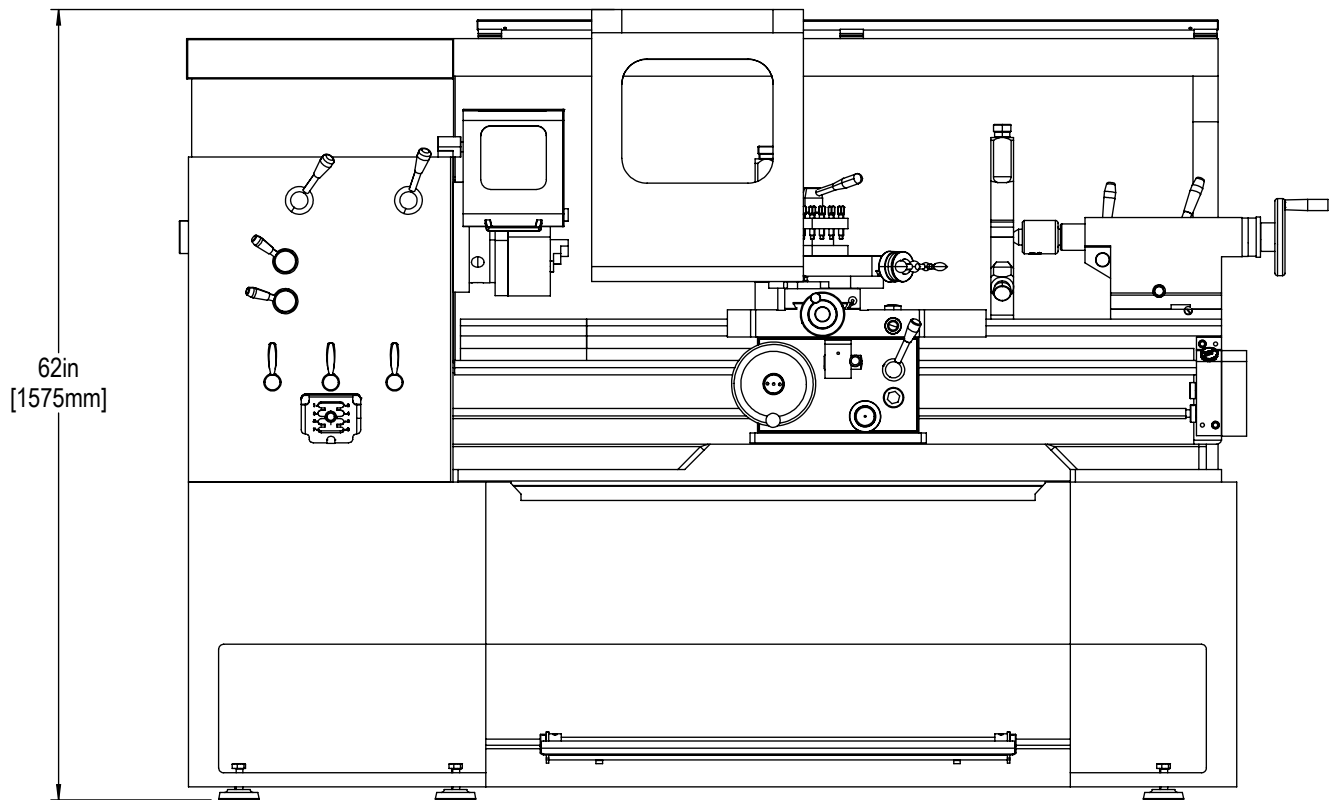




TOP VIEW



FRONT VIEW

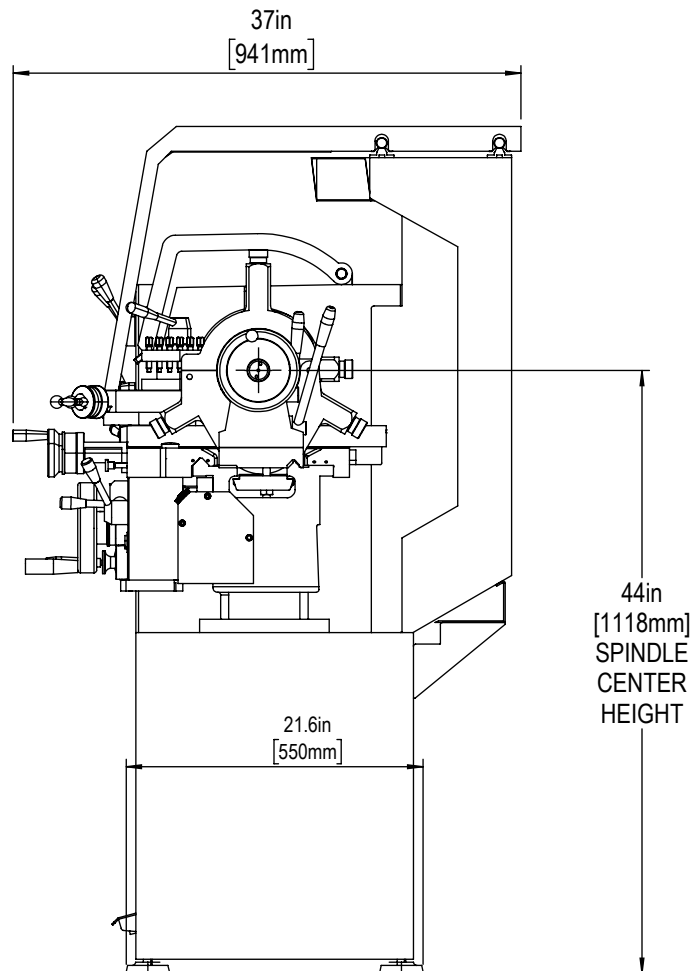




AIR AND POWER

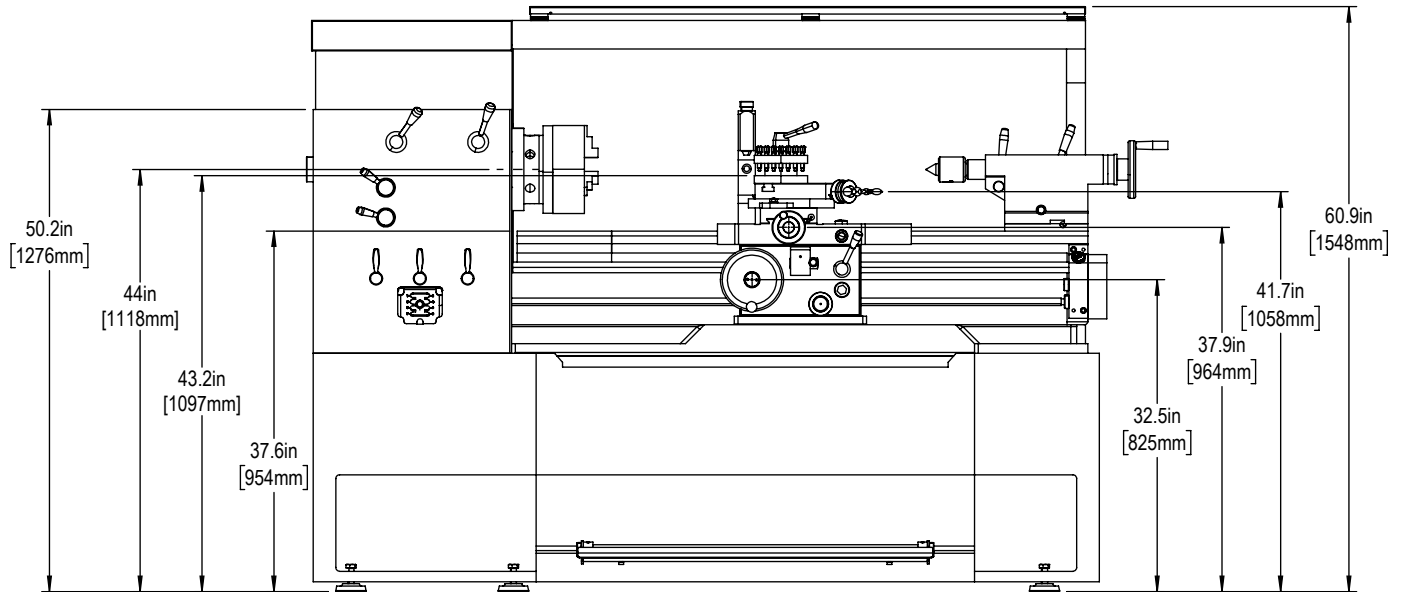
VIEW TBD SOON
NO AIR REQUIRED

RIGHT SIDE VIEW



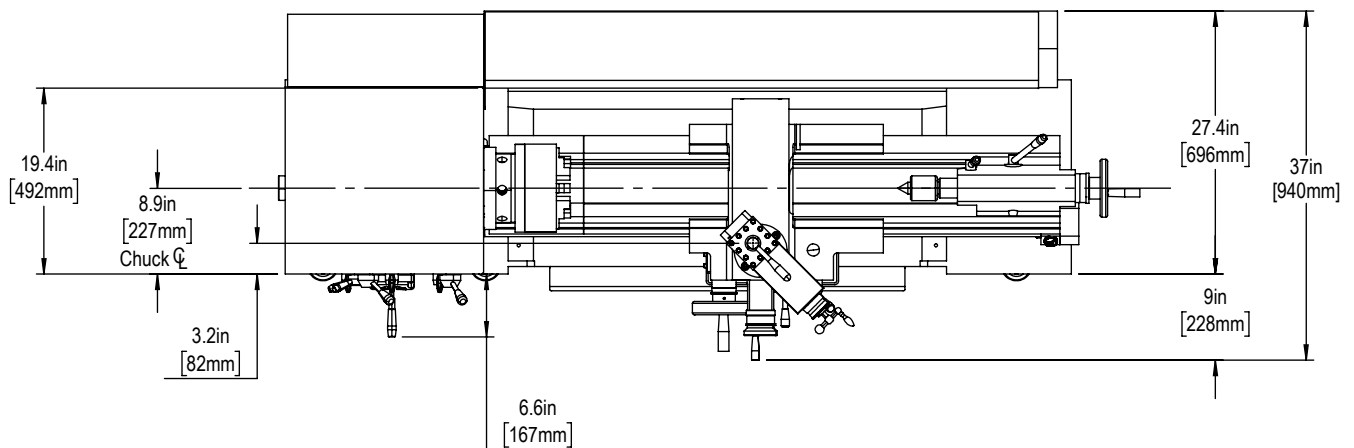
ANCHORING
NOT REQUIRED

HEIGHT BREAKDOWN - FRONT VIEW

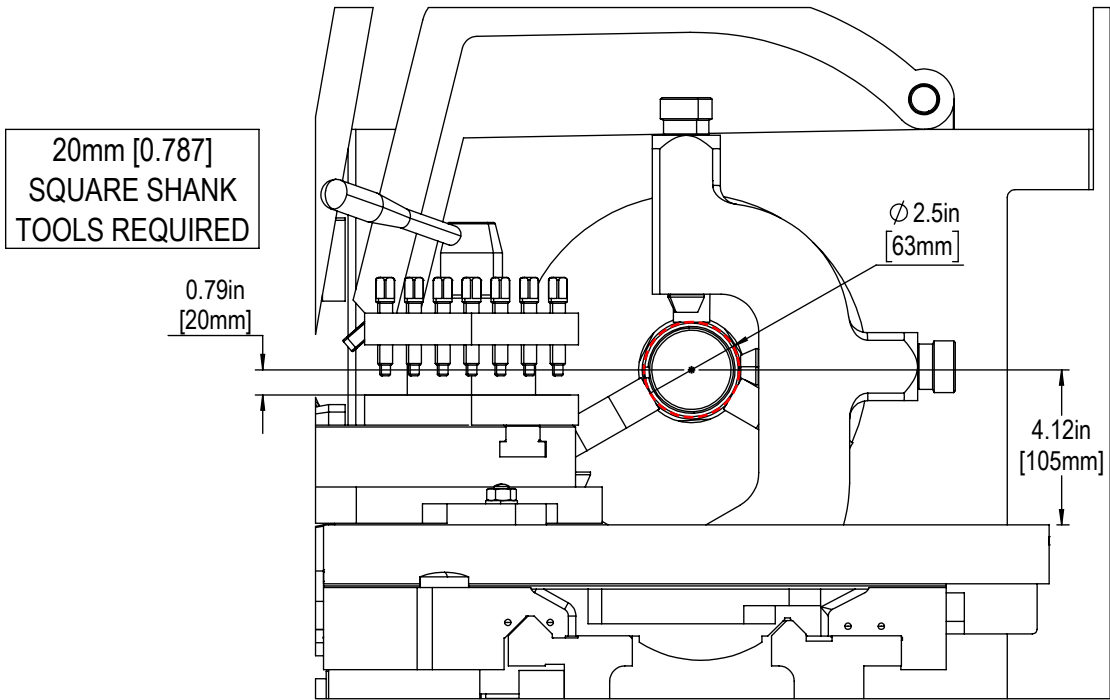


20mm [0.787]
SQUARE SHANK
TOOLS REQUIRED

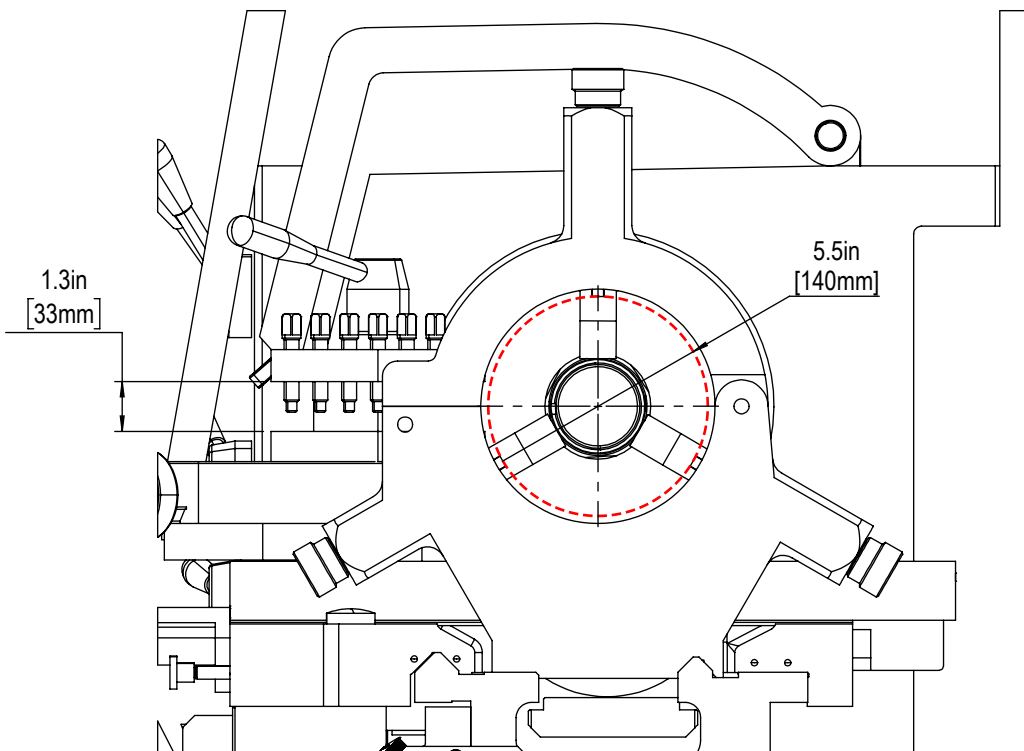
DEPTH BREAKDOWN - TOP VIEW



FOLLOW REST MAXIMUM CAPACITY



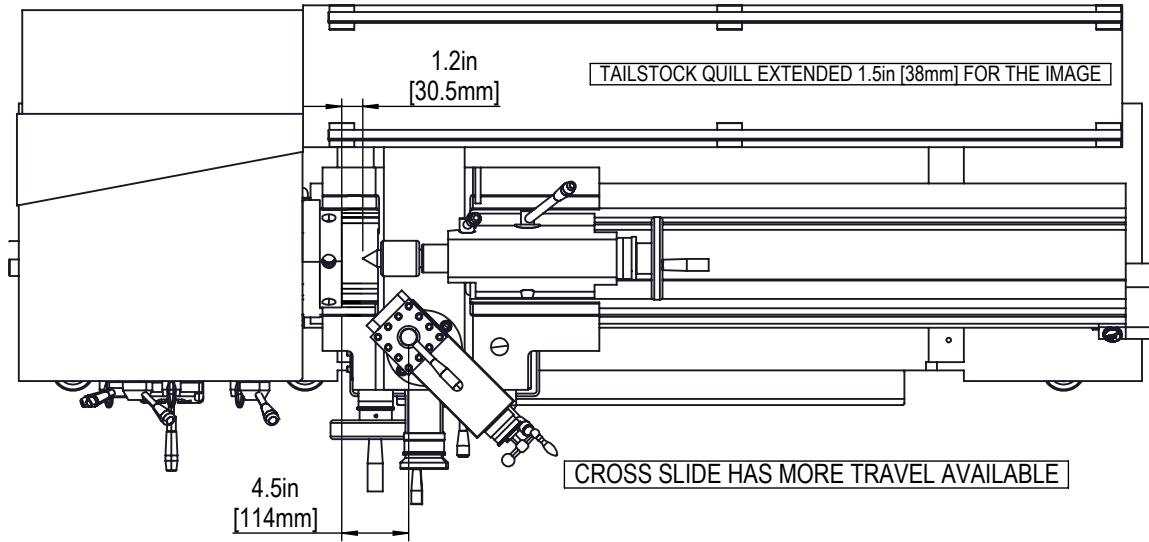
STEADY REST MAXIMUM CAPACITY





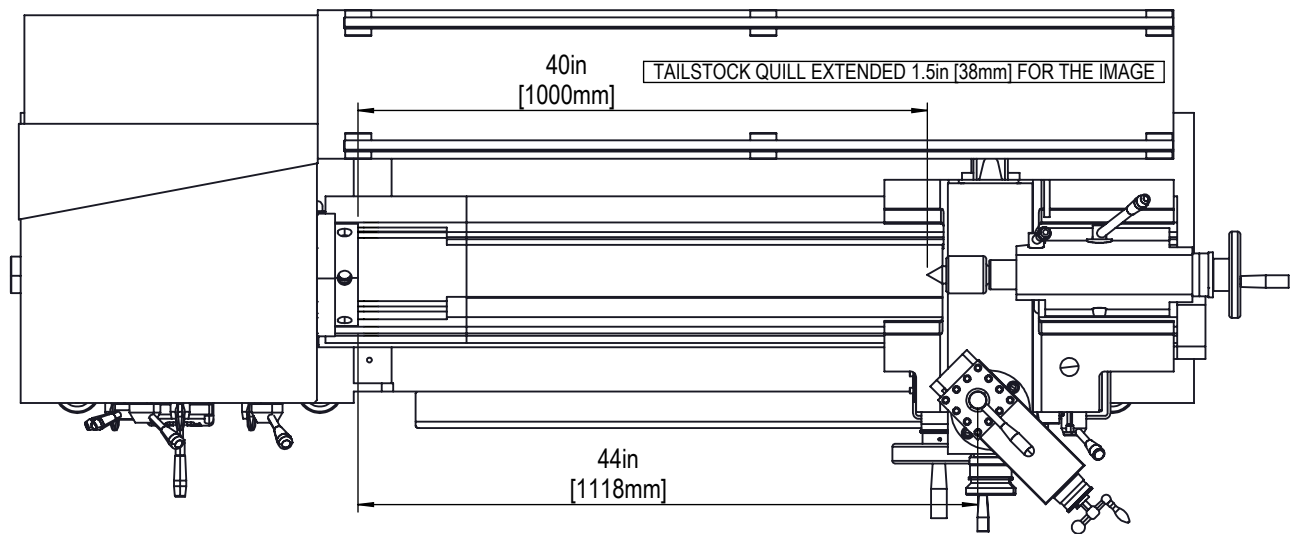
MINIMUM PART LENGTH - TOP VIEW

CHUCK REMOVED FOR GREATER CLARITY

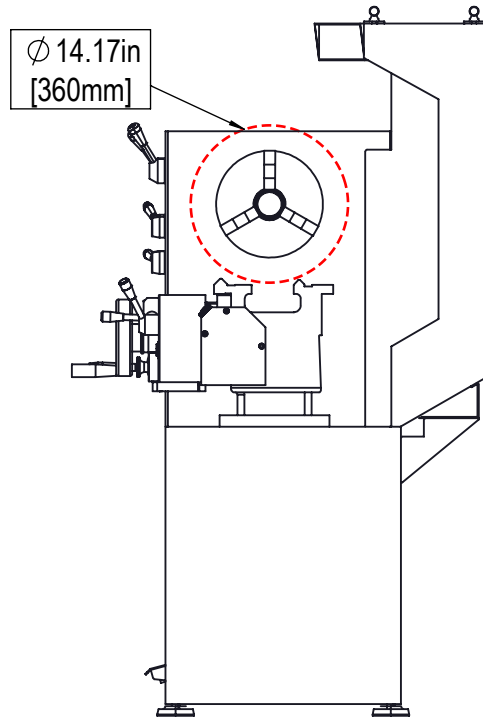


MAXIMUM PART LENGTH - TOP VIEW

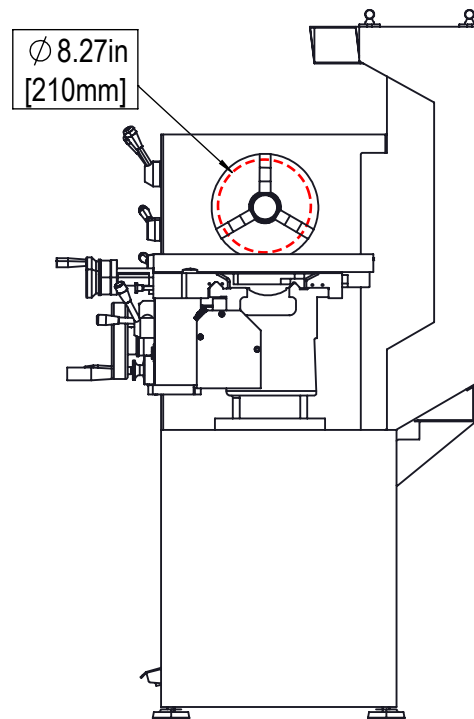
CHUCK REMOVED FOR GREATER CLARITY



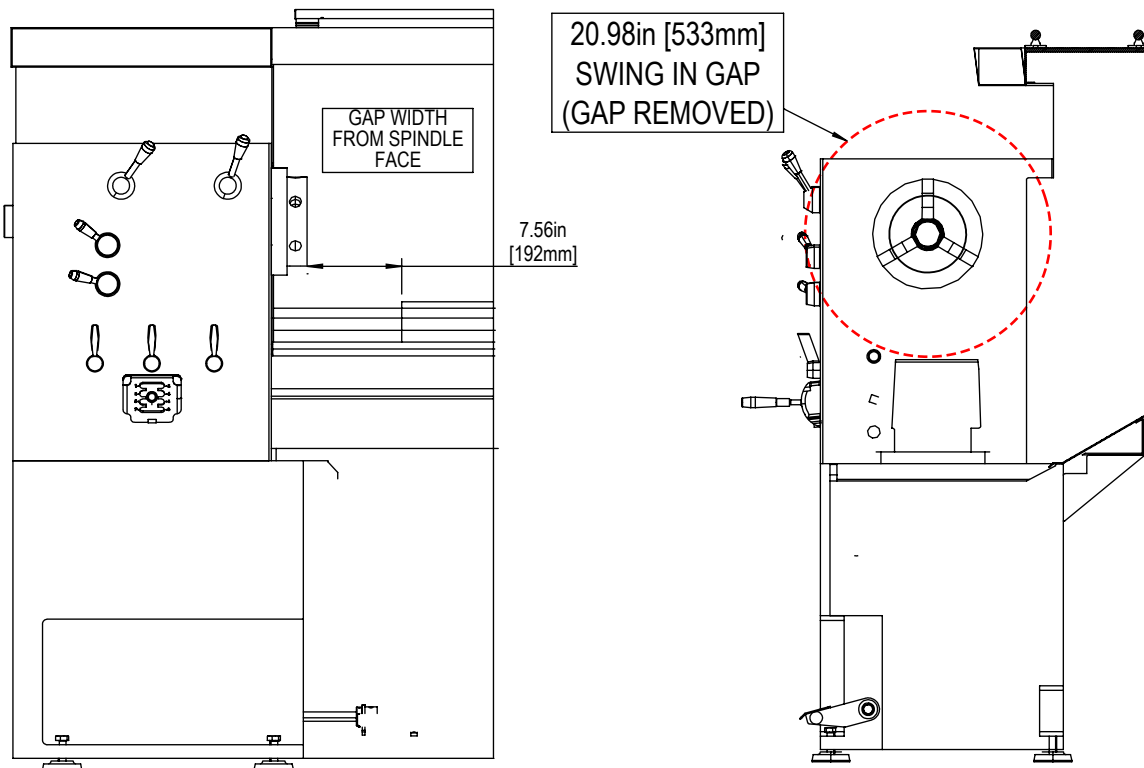
OVER BED



OVER CROSS SLIDE

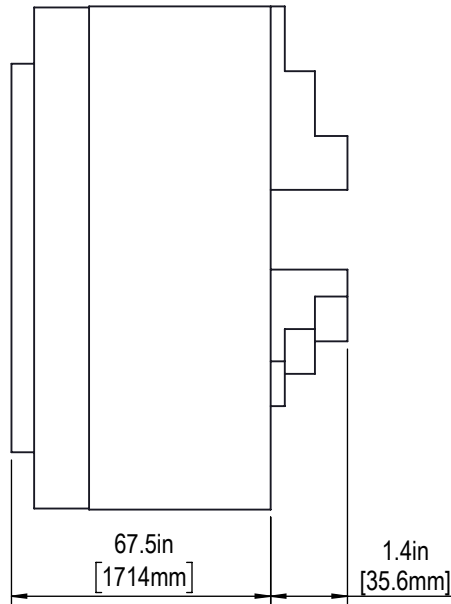


MAXIMUM SWING WITH GAP CASTING REMOVED

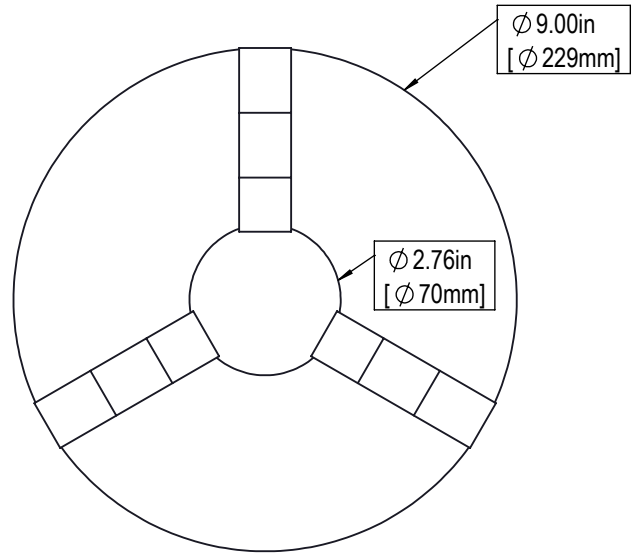




SIDE VIEW

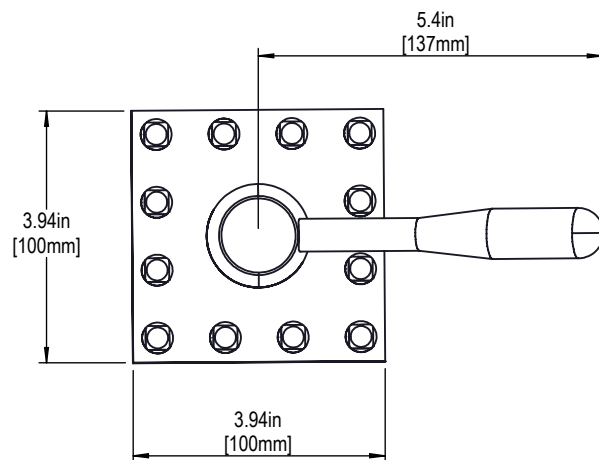


FRONT VIEW

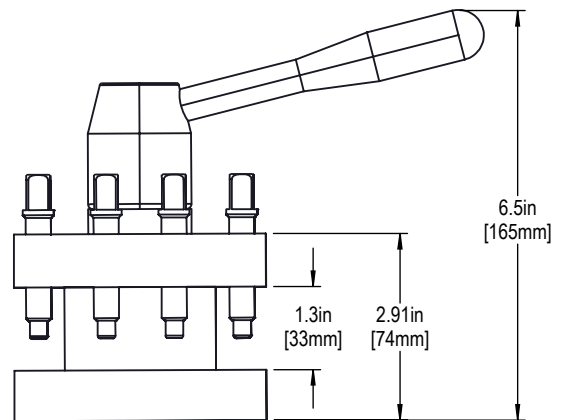


MANUAL SCROLL CHUCK - WRENCH INCLUDED

TOP VIEW



FRONT VIEW



4-STATION MANUAL TOOL POST FOR 200mm (0.787in) TOOLS