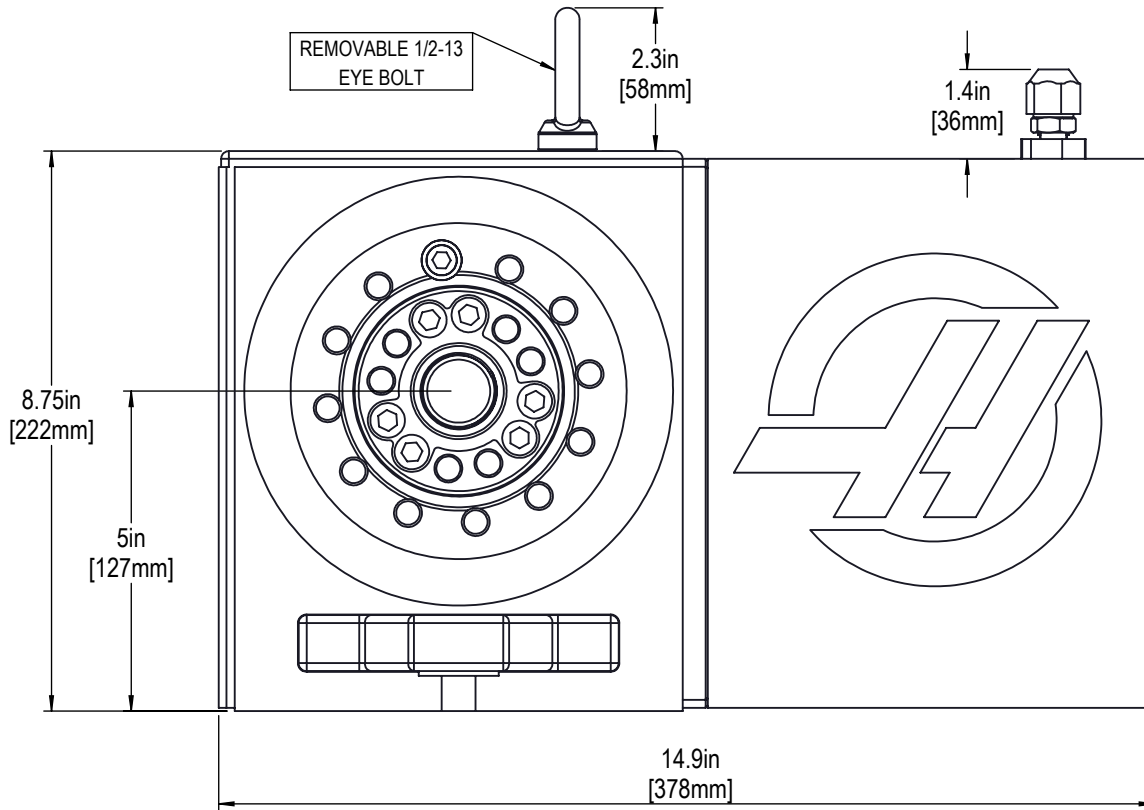
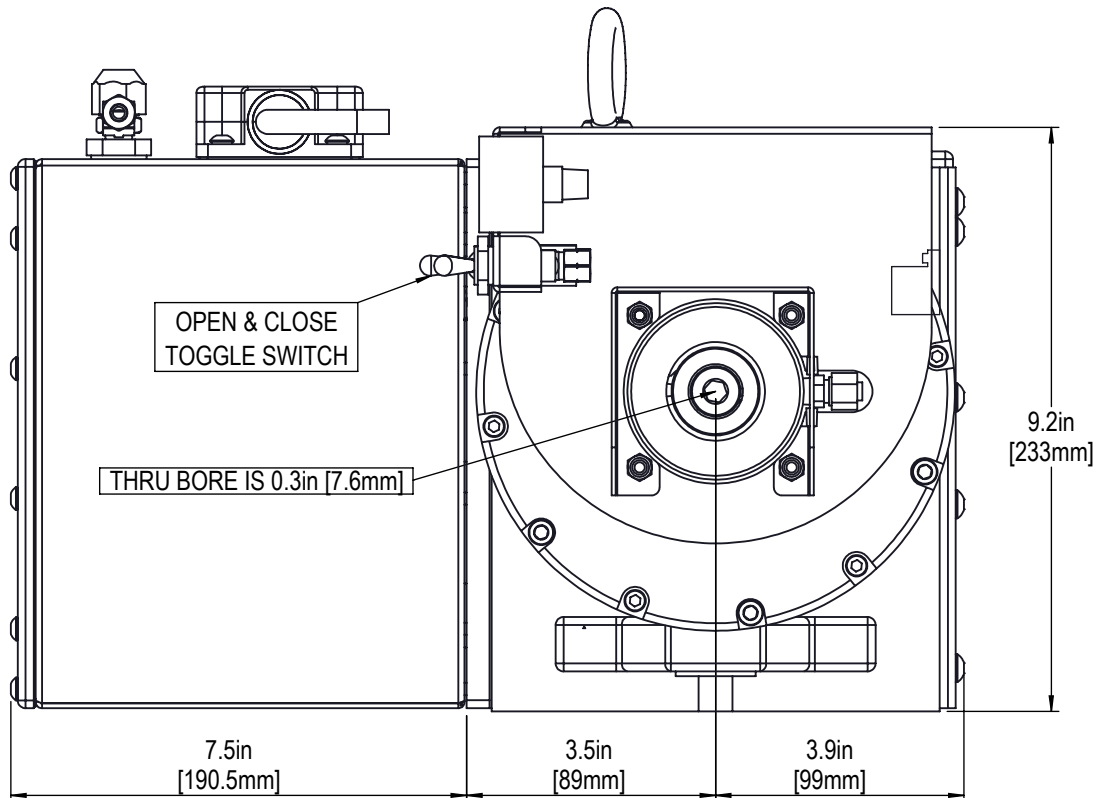




FRONT VIEW

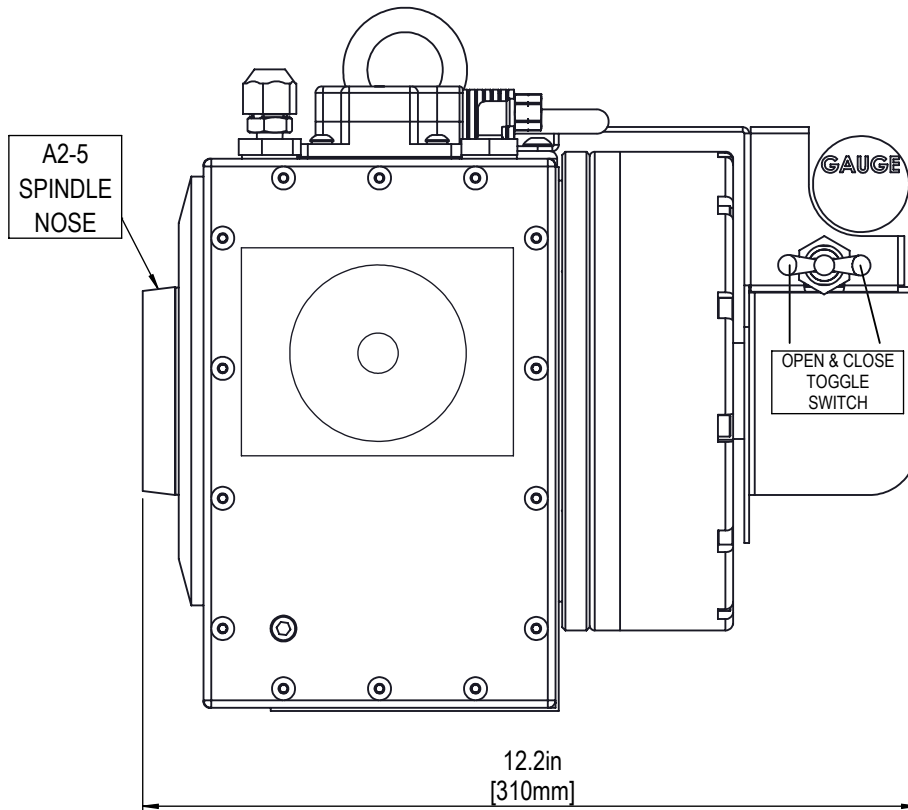


TOP VIEW

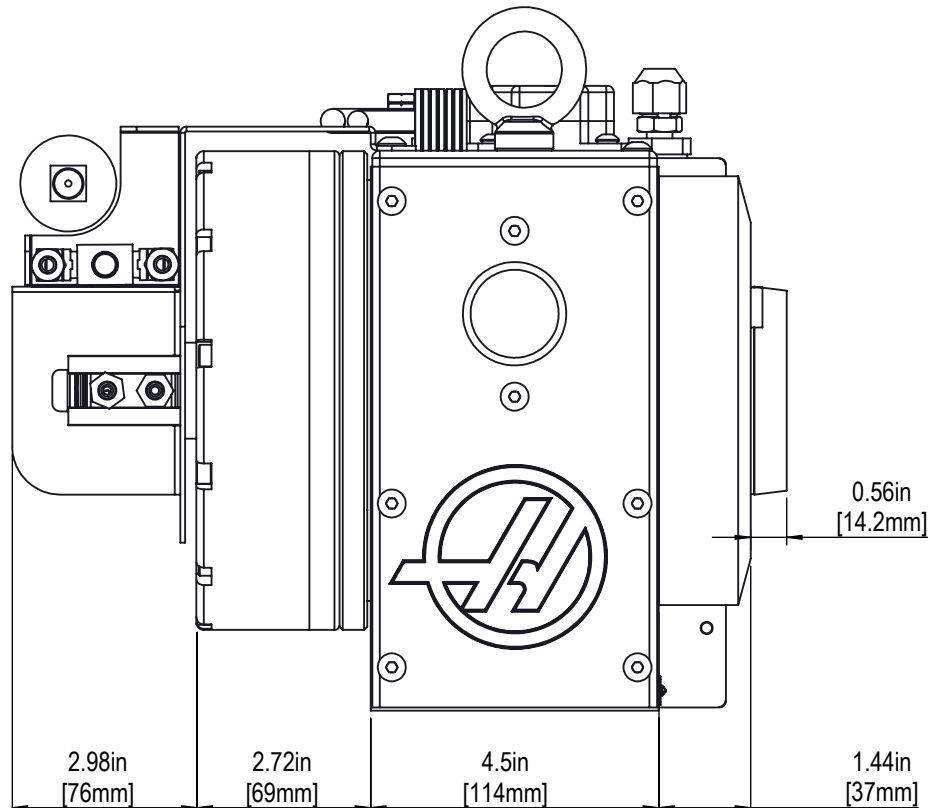




RIGHT SIDE VIEW

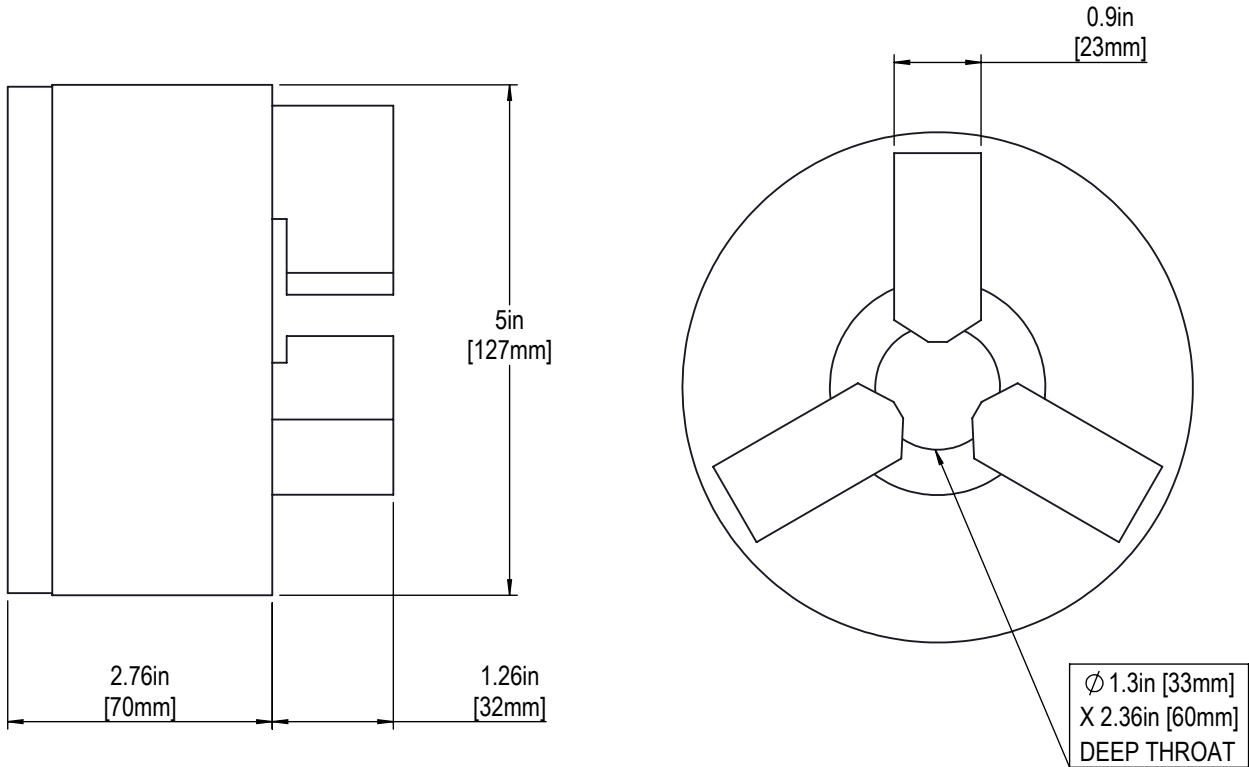


LEFT SIDE VIEW

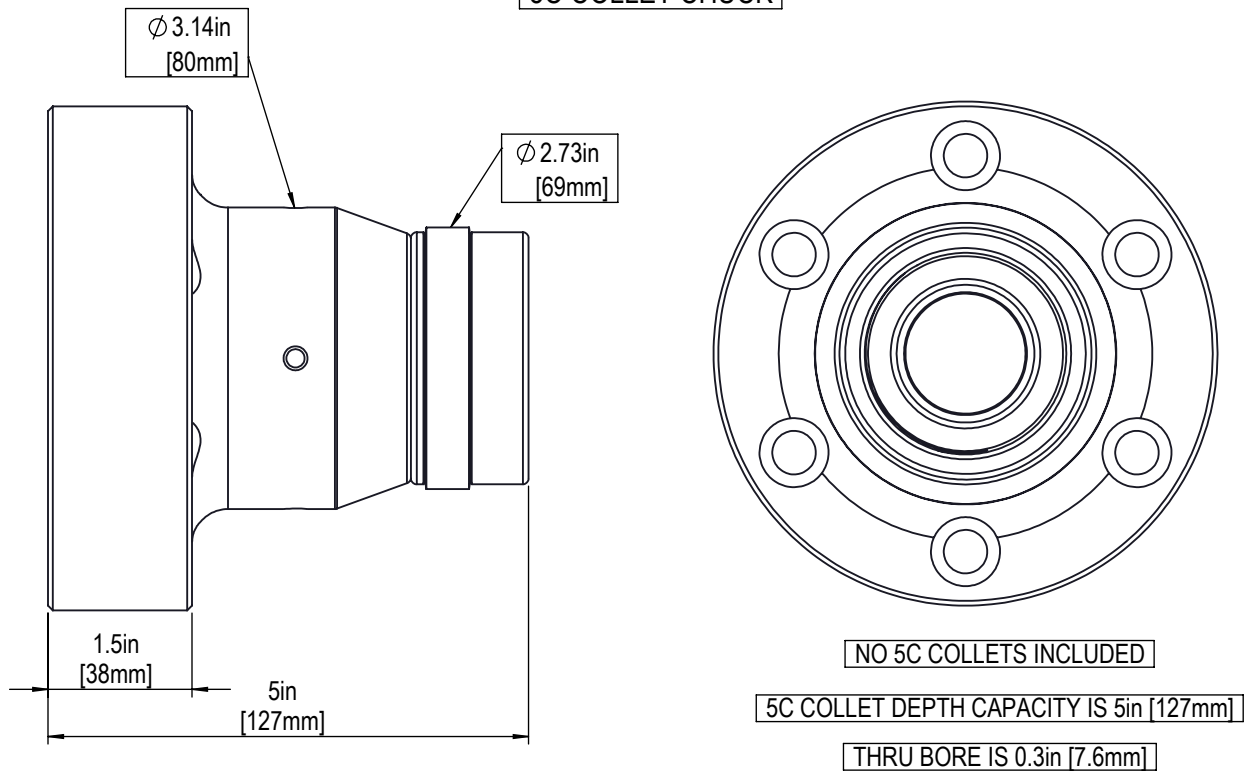




5in [127mm] 3-JAW CHUCK

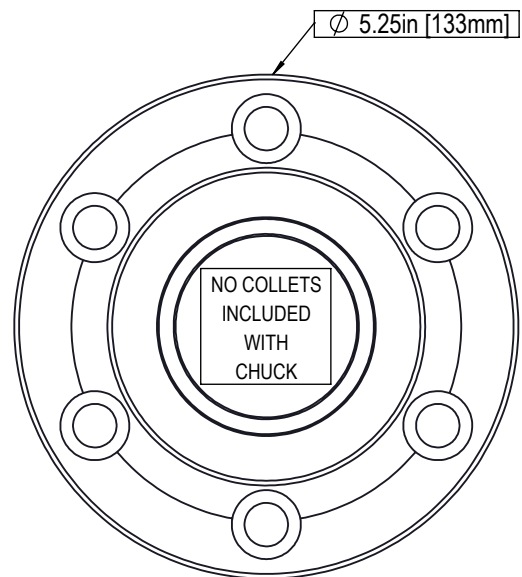
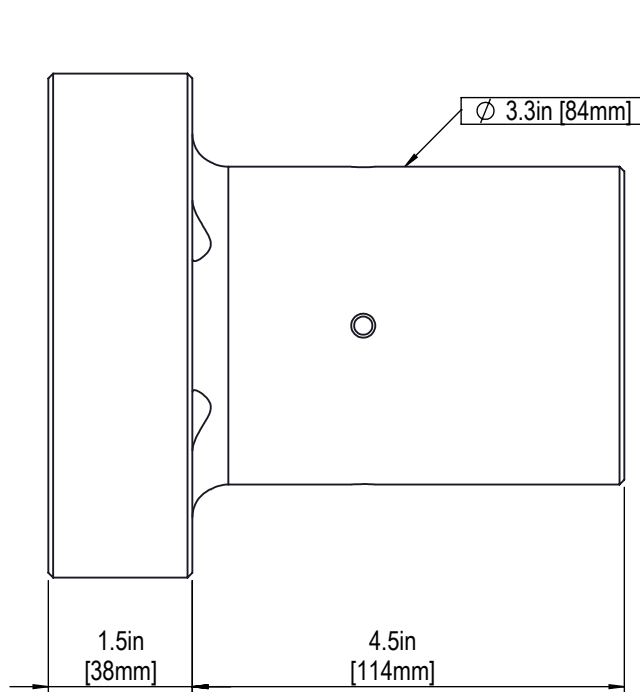


5C COLLET CHUCK





16C COLLET CHUCK

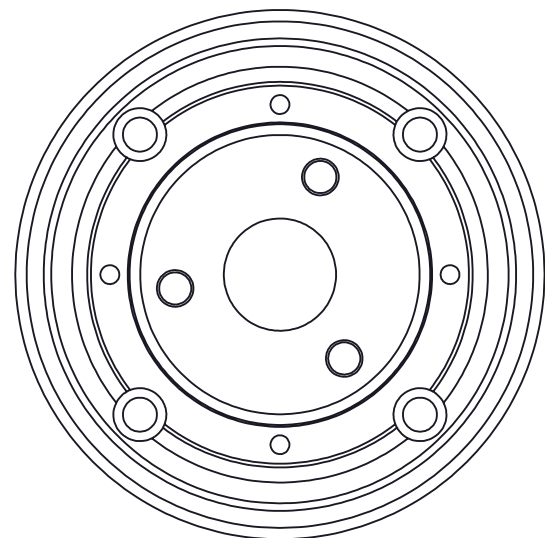
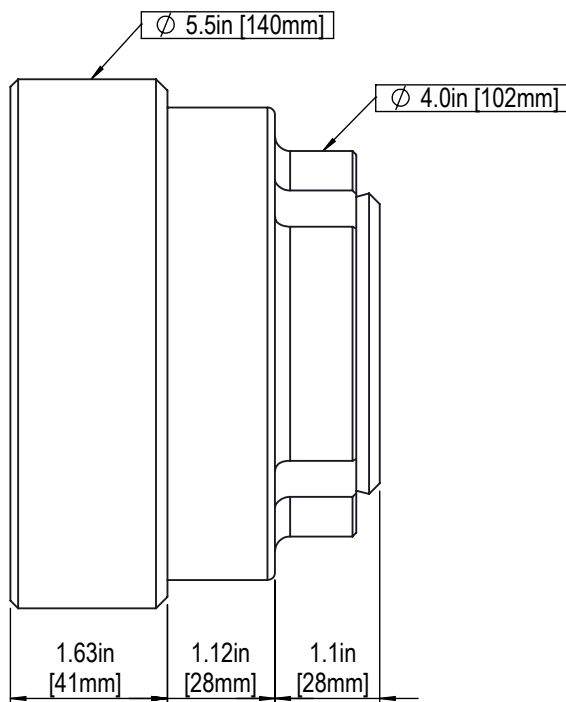


16C COLLET DEPTH CAPACITY IS 6in [152mm]

THRU BORE IS 0.3in [7.6mm]

PULLBACK QUICK-CHANGE COLLET CHUCK QDA5

COMPATIBLE WITH INDUSTRY STANDARD AND HAAS TOOLING.COM COLLETS



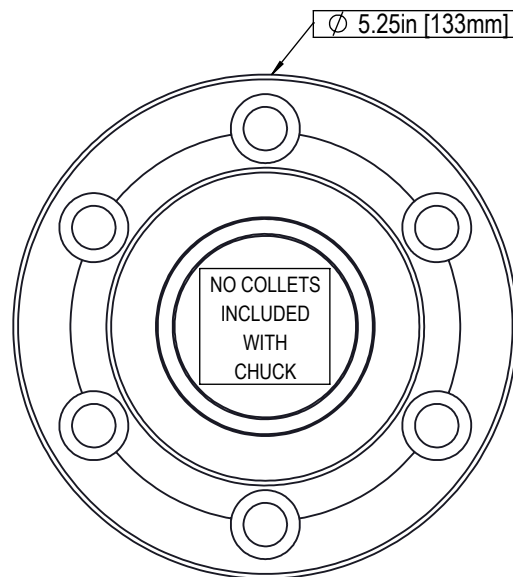
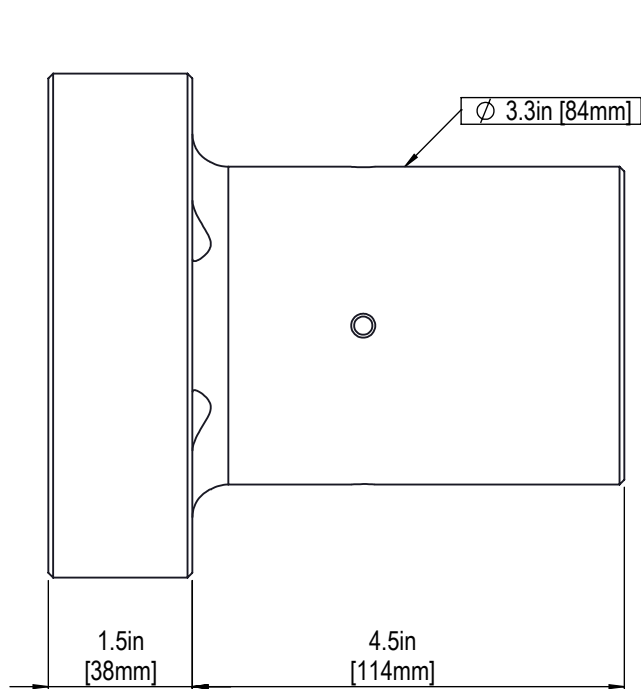
QUICK-CHANGE COLLET DEPTH CAPACITY IS 3.85in [98mm]

THRU BORE IS 0.3in [7.6mm]

NO COLLETS INCLUDED



3J COLLET CHUCK

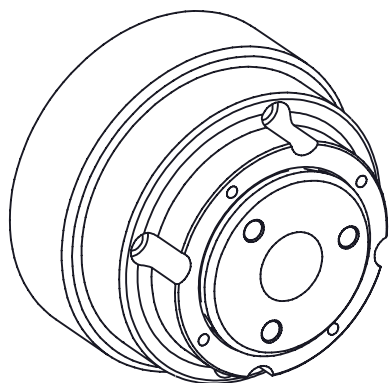


3J COLLET DEPTH CAPACITY IS 6in [152mm]

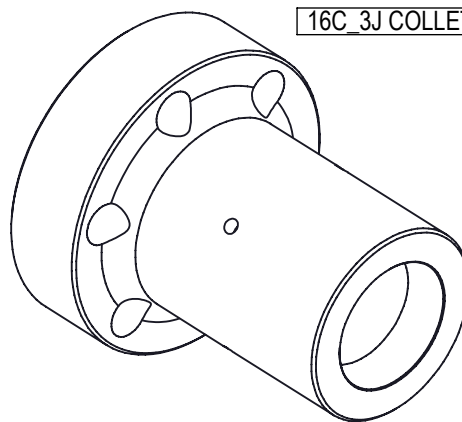
THRU BORE IS 0.3in [7.6mm]

ISOMETRIC VIEWS

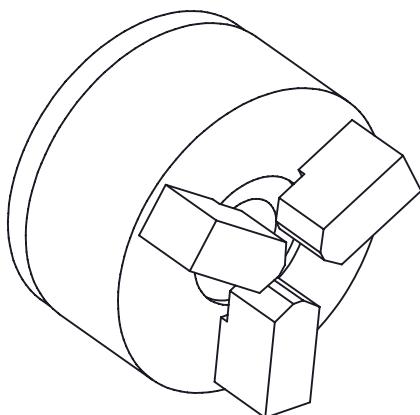
QUICK-CHANGE QDA5



16C 3J COLLET CHUCK



5IN 3-JAW CHUCK



5C COLET CHUCK

