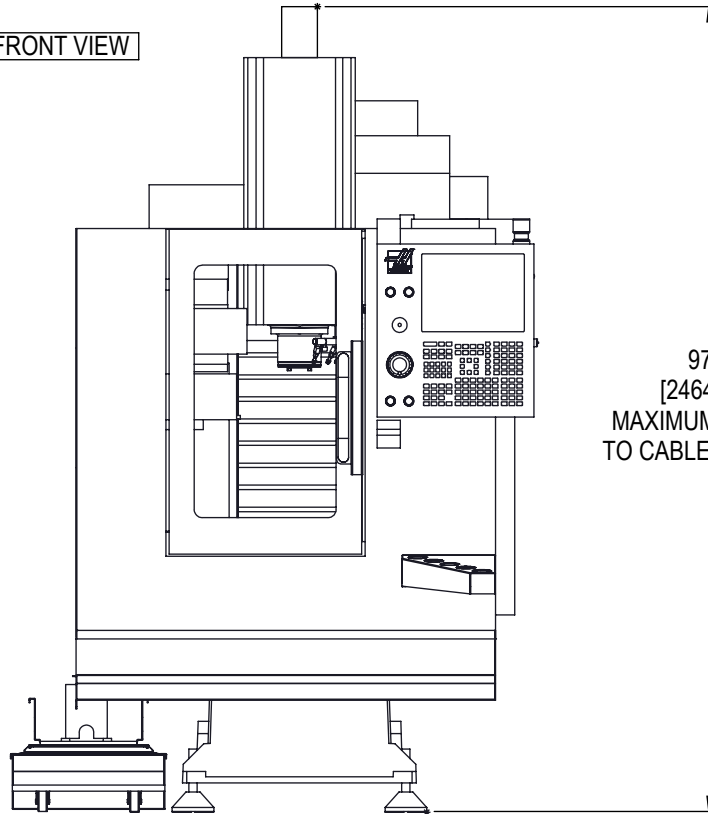




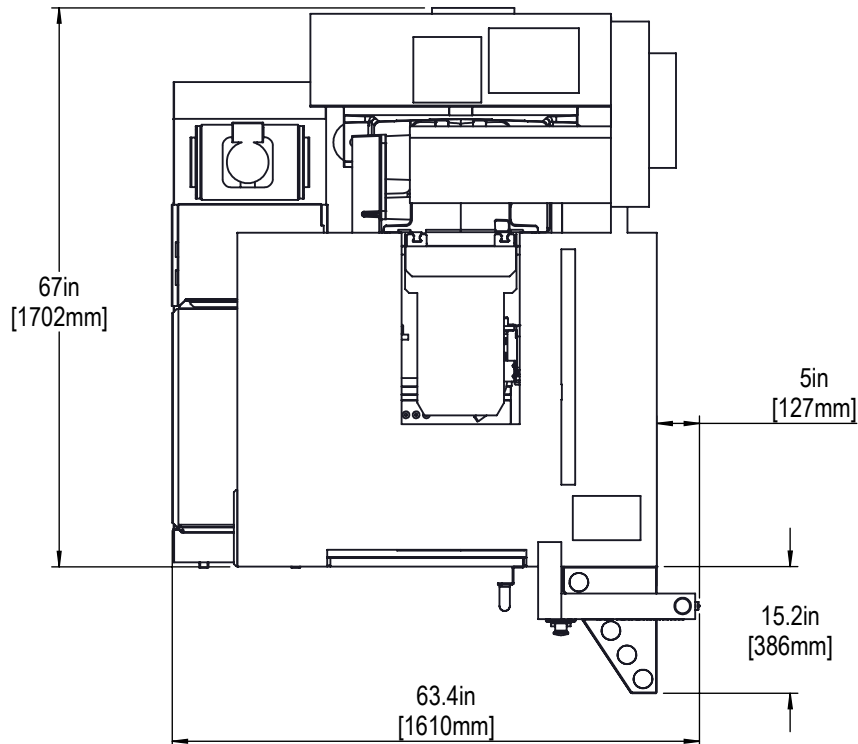
FRONT VIEW

HEIGHT DIMENSIONS
BASED ON SUGGESTED
LEVELING PAD HEIGHT



97in
[2464mm]
MAXIMUM HEIGHT
TO CABLE CARRIER

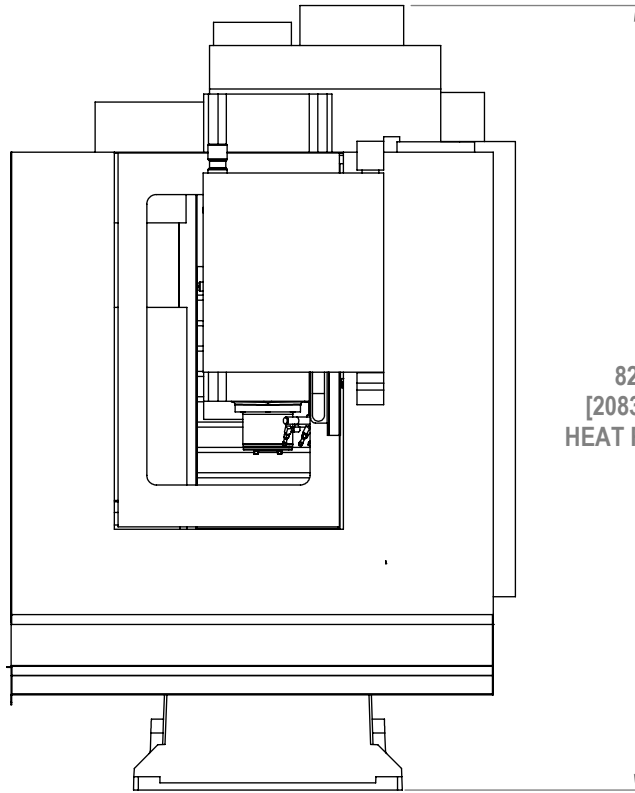
TOP VIEW





DIMENSIONS ARE WITH MACHINE OFF OF THE PALLET

LEVELING PADS ARE REMOVED

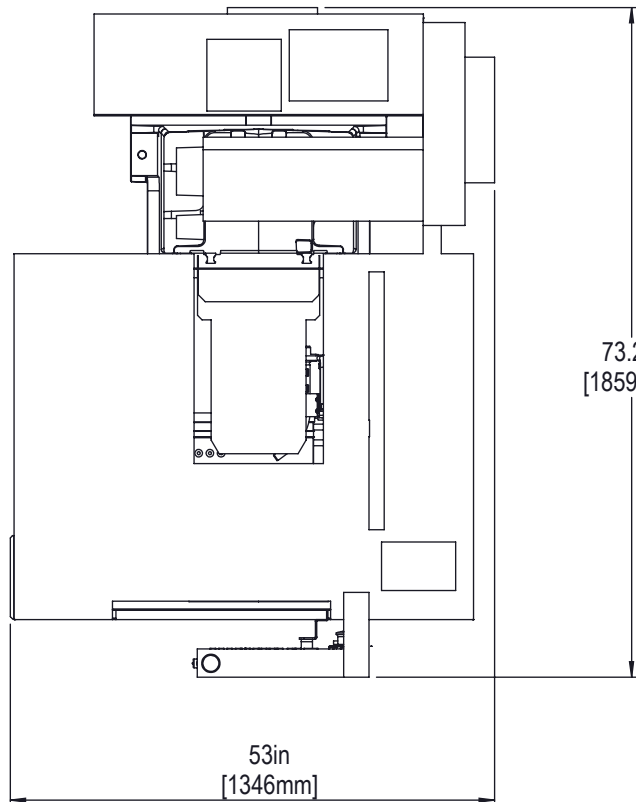


DIMENSIONS ARE WITH MACHINE OFF OF THE PALLET AND THE CABLE CARRIER REMOVED

82in
[2083mm]
HEAT REGEN

REMOVAL OF HEAT REGEN REDUCES THE HEIGHT TO 80in [2032mm]

DIMENSIONS ARE WITH MACHINE OFF OF THE PALLET



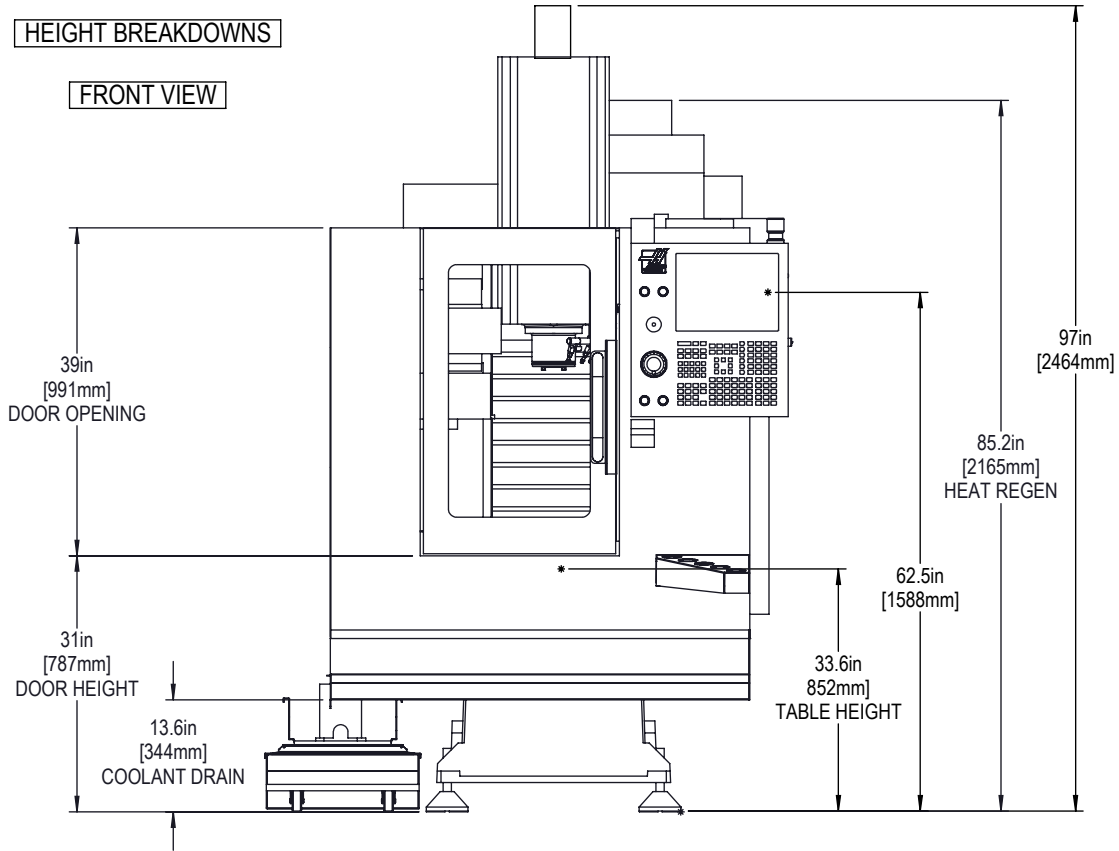
73.2in
[1859mm]

53in
[1346mm]



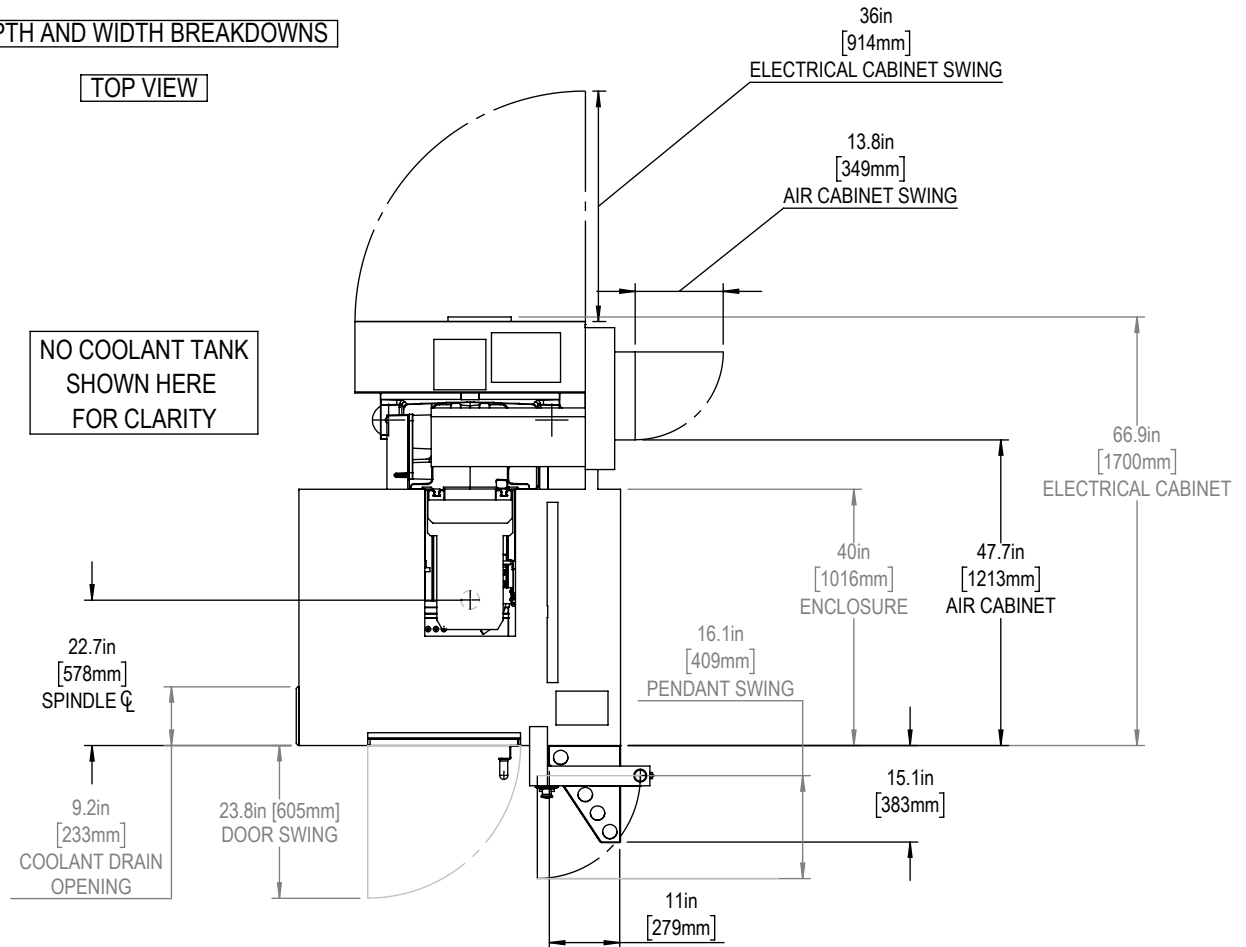
HEIGHT BREAKDOWNS

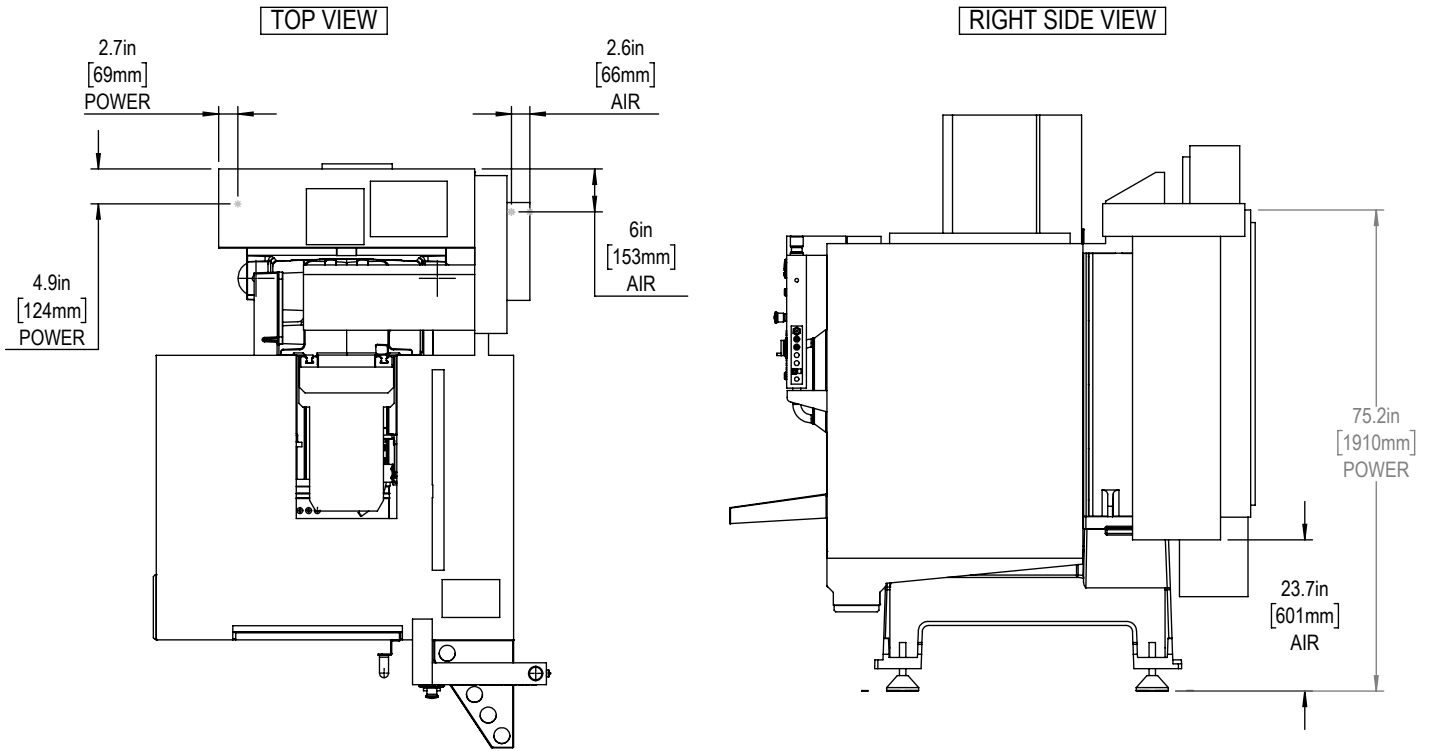
FRONT VIEW



DEPTH AND WIDTH BREAKDOWNS

TOP VIEW



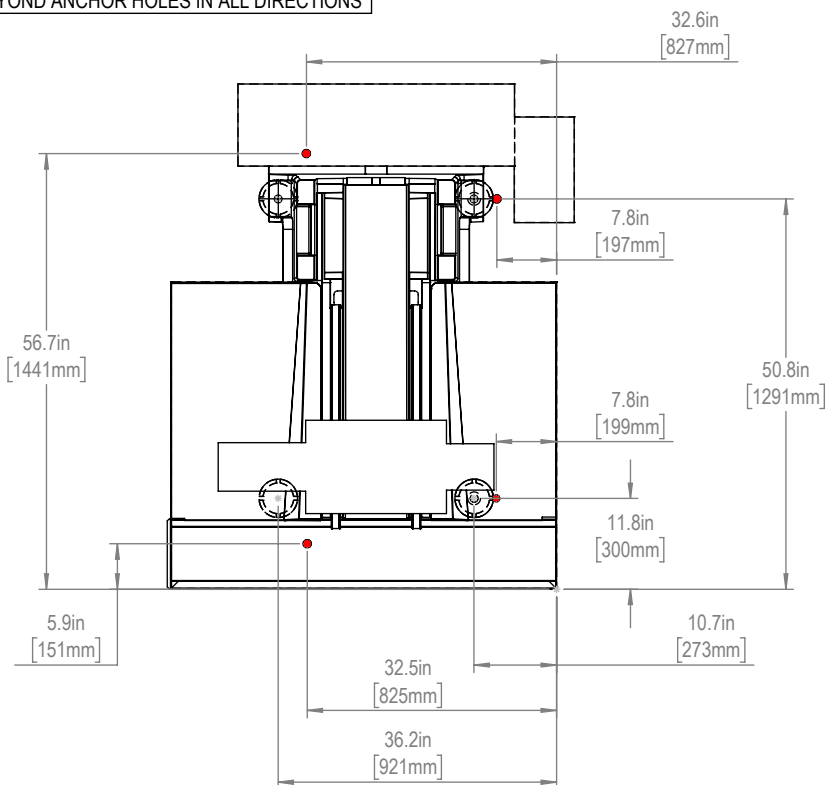


REFER TO MACHINE INSTALLATION INSTRUCTIONS FOR DETAILS

A 36in [914mm] CLEARANCE IS REQUIRED FOR ELECTRICAL CABINET

NOTE: MACHINE MUST BE PLACED ON ONE CONTINUOUS CONCRETE SLAB.
SLAB SHOULD EXTEND 12in [305mm] BEYOND ANCHOR HOLES IN ALL DIRECTIONS

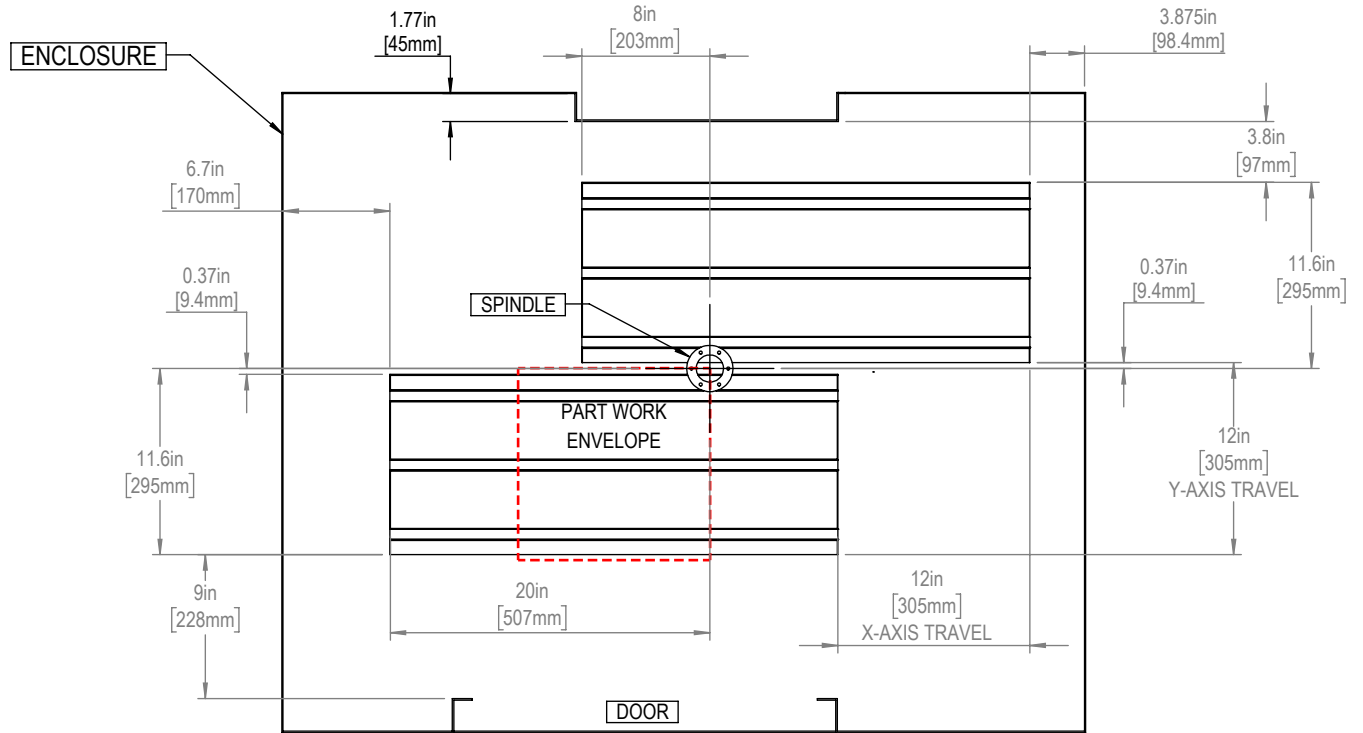
ANCHOR HOLE
DETAILS:
Ø 0.62in [16mm]
▽ 2in [51mm]
▽ 2.25in [57mm]



FOR PRECISE DRILLING LOCATIONS PLEASE USE THE TEMPLATE FROM THE MACHINE ANCHORING KIT

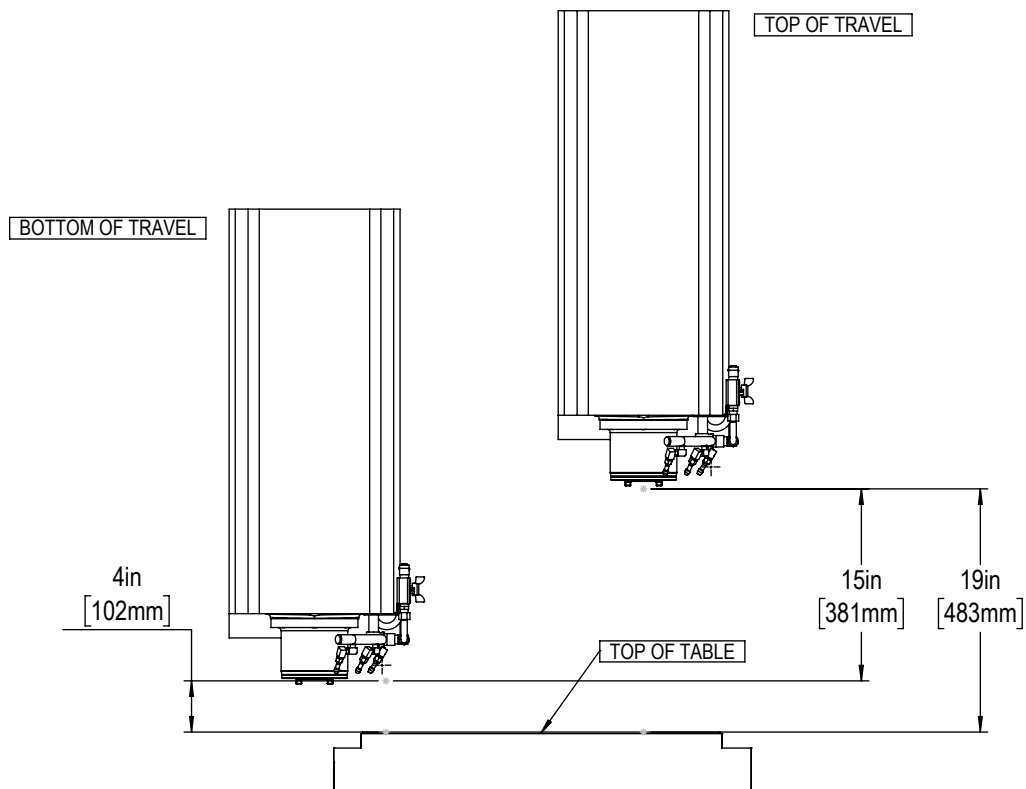


TOP VIEW



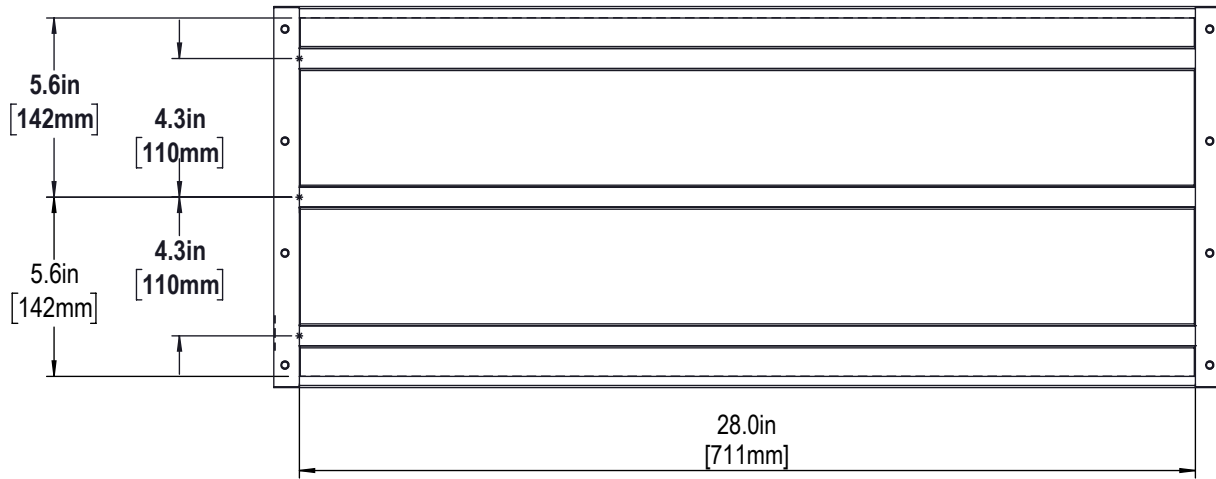
DIMENSIONS SHOWN ARE FROM USABLE EDGES OF 28in (711mm) X 11.2in (284mm) TABLE

Z-AXIS TRAVEL & CLEARANCE

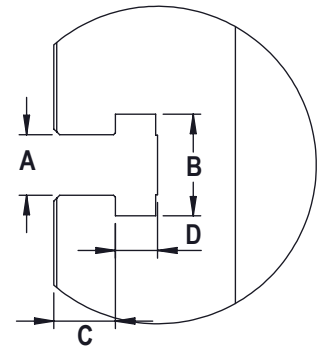




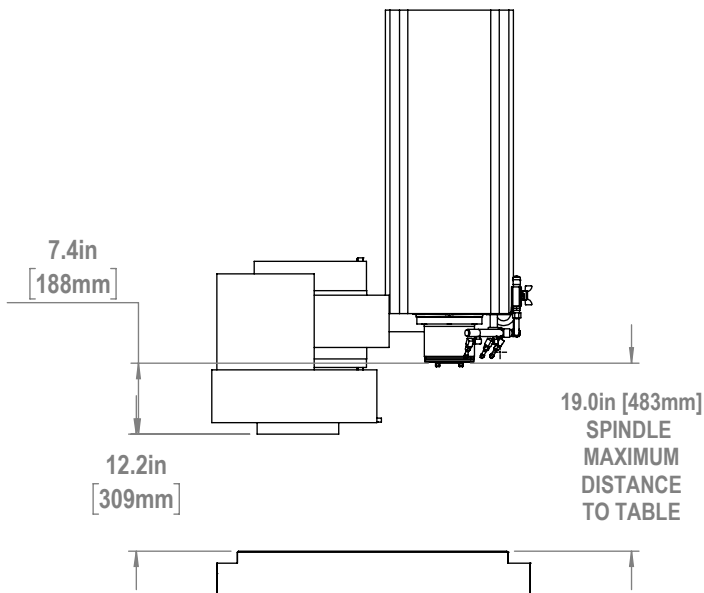
TABLE



Slot Size	A	B	C	D
.626 - .630	0.628in	1.06in	0.64in	0.42in
16mm	16mm	27mm	16mm	10.5mm



TOOL CHANGER HEIGHT



TOOL CHANGER PARKED LOCATION

