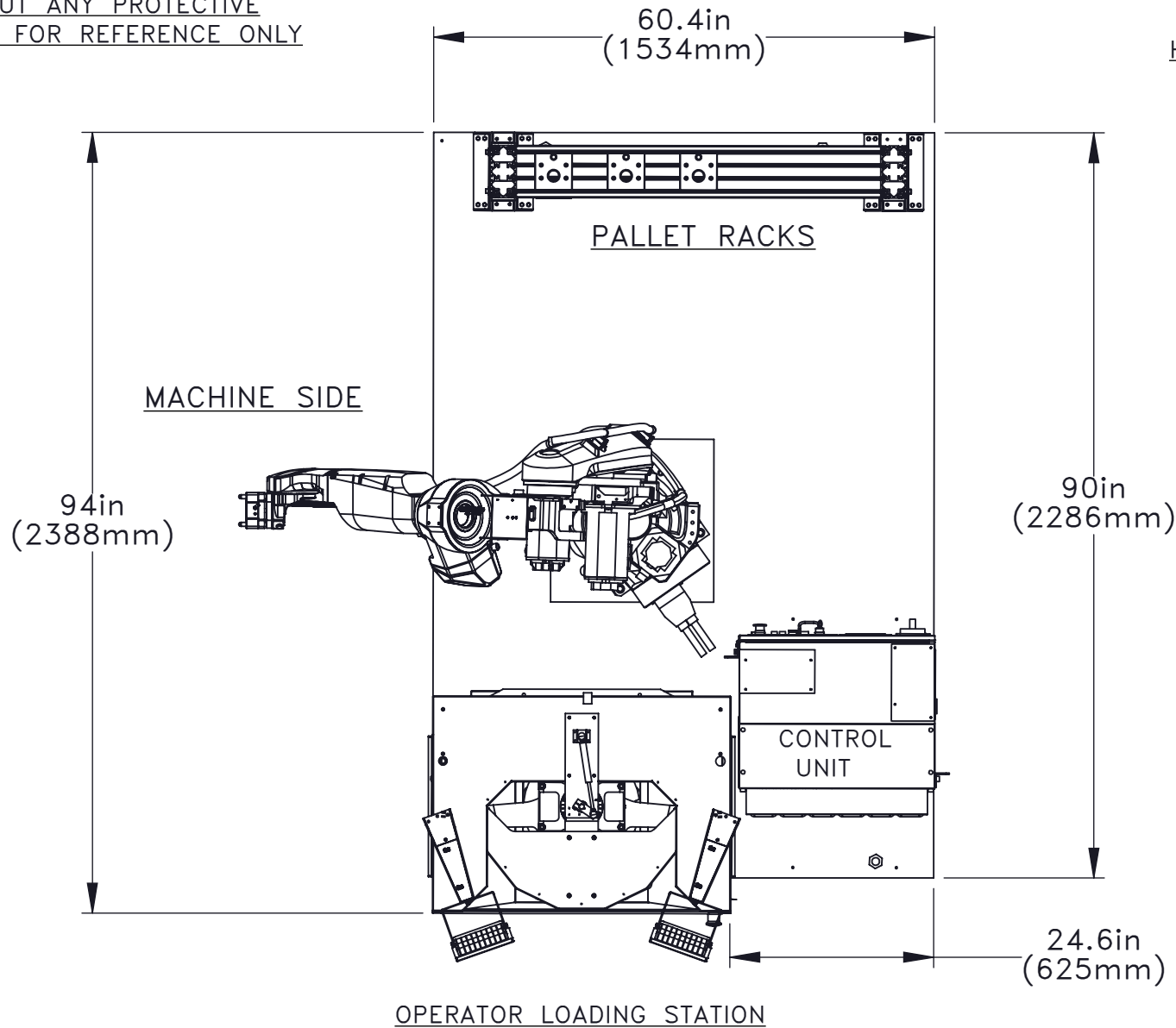




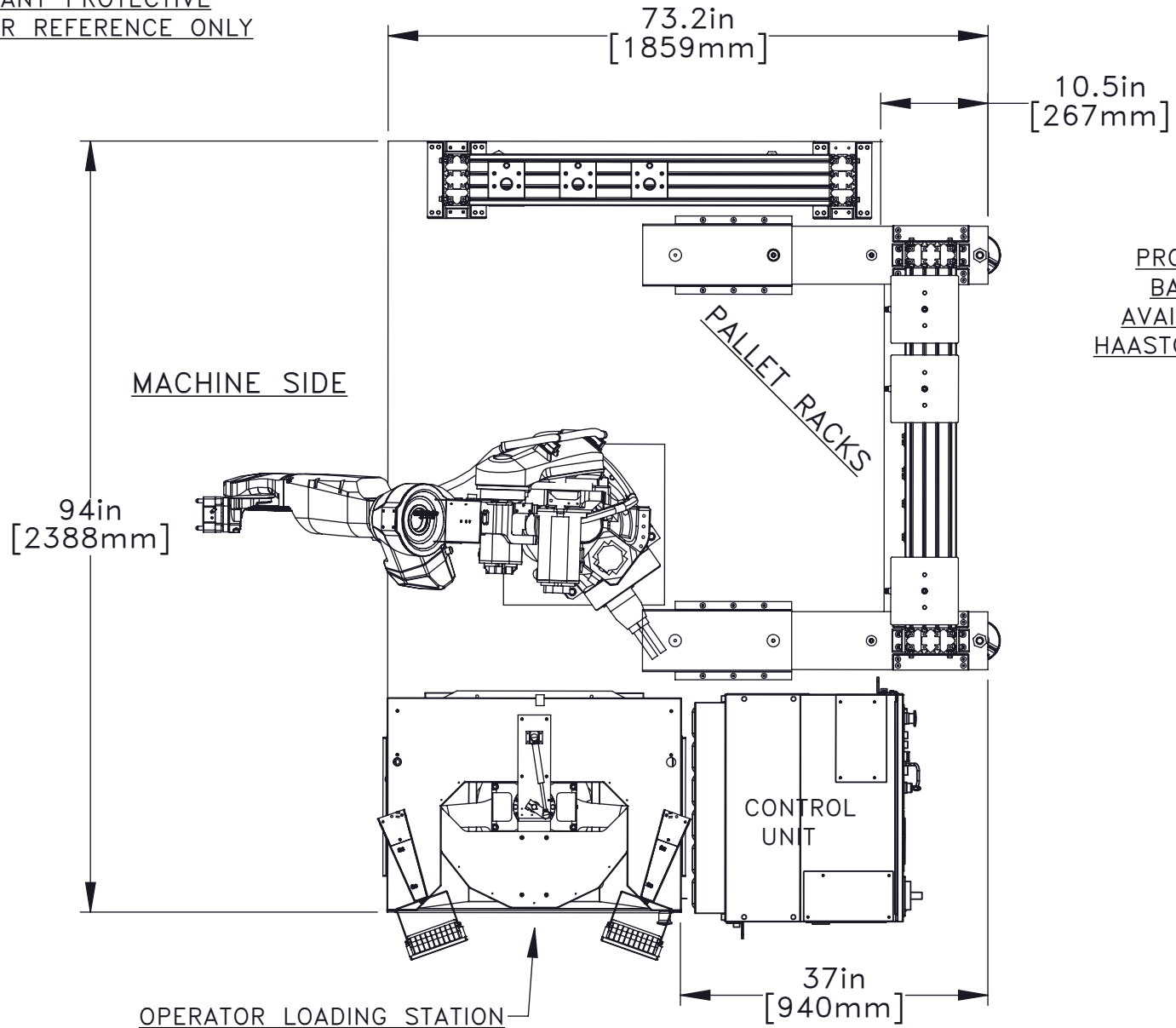
FOOTPRINT SHOWN HERE
WITHOUT ANY PROTECTIVE
BARRIERS FOR REFERENCE ONLY

PROTECTIVE
BARRIERS
AVAILABLE AT
HAASTOOLING.COM





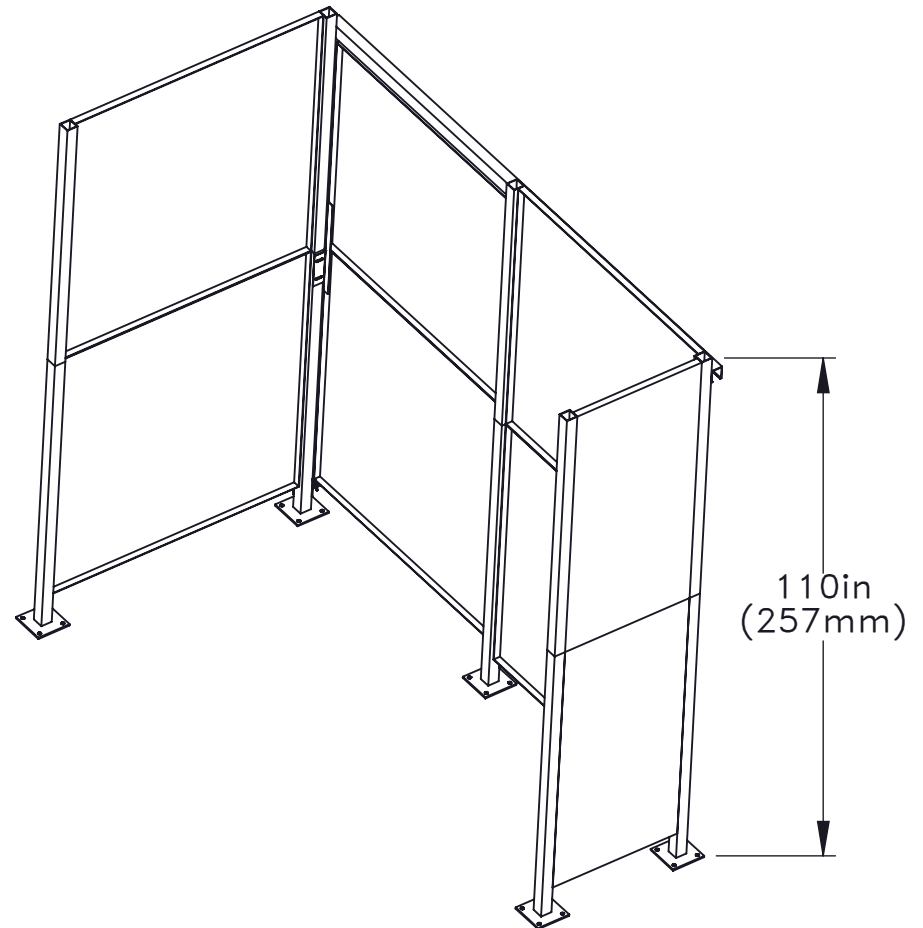
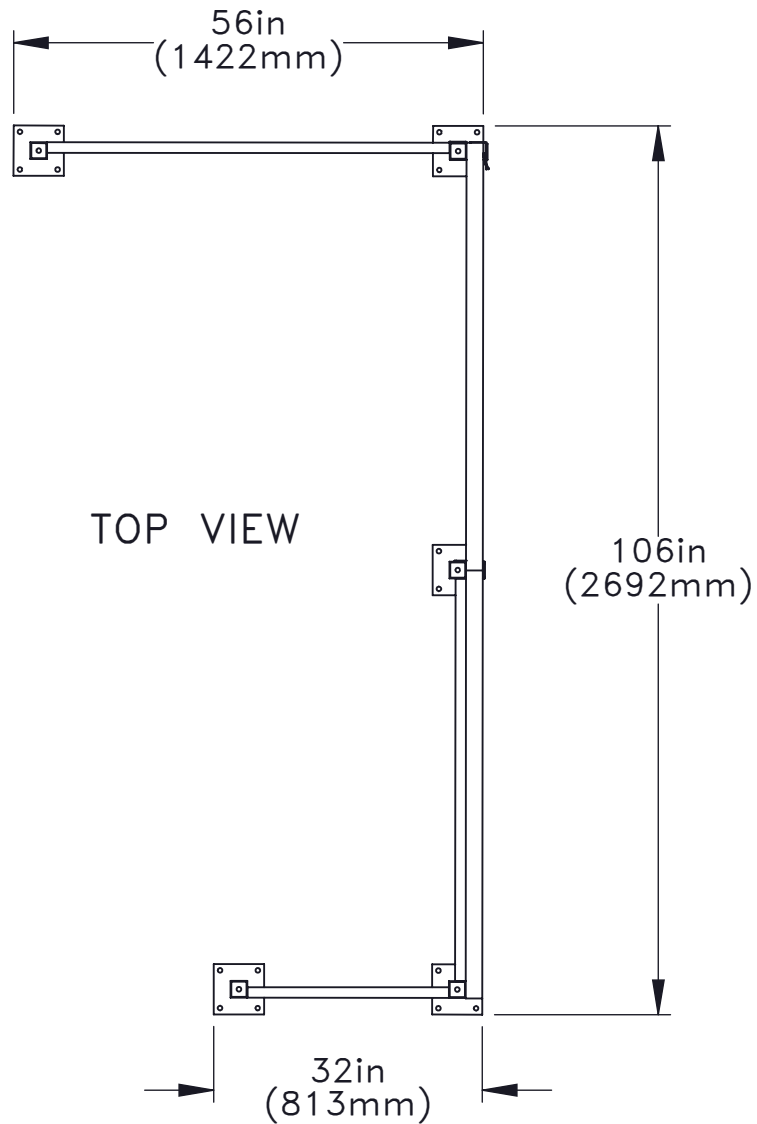
FOOTPRINT SHOWN HERE
WITHOUT ANY PROTECTIVE
BARRIERS FOR REFERENCE ONLY



PROTECTIVE
BARRIERS
AVAILABLE AT
HAASTOOLING.COM



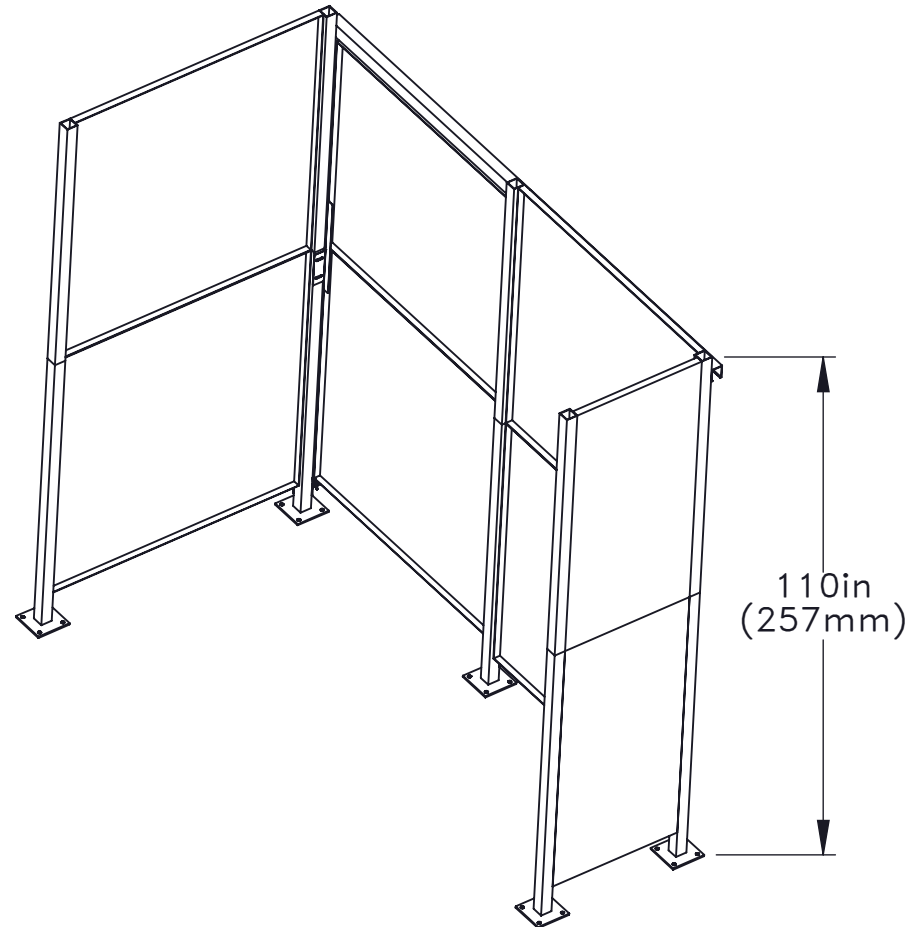
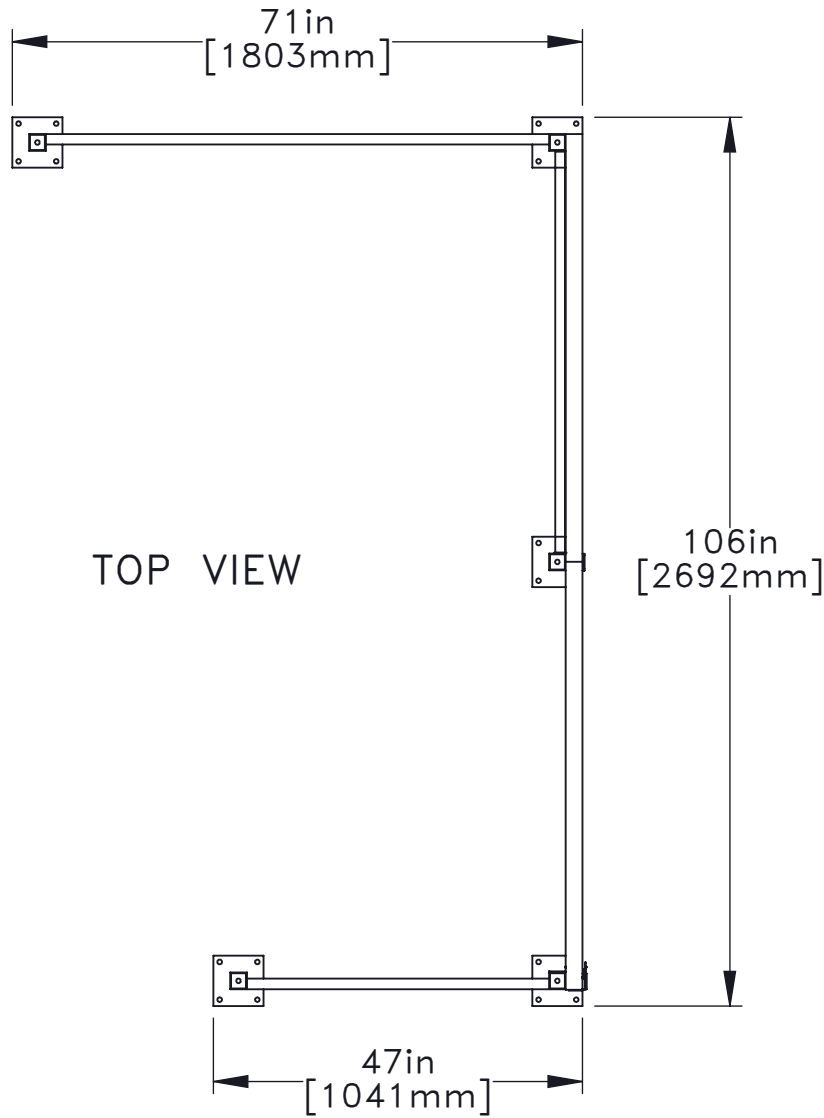
FENCE IS A REQUIREMENT FOR HAE REGION ONLY
IT IS OPTIONAL IN ALL OTHER REGIONS



THE OPTIONAL LIGHT CURTAIN AND FENCE
COVER APPROXIMATELY THE SAME
DEPTH AND WIDTH



FENCE IS A REQUIREMENT FOR HAE REGION ONLY
IT IS OPTIONAL IN ALL OTHER REGIONS

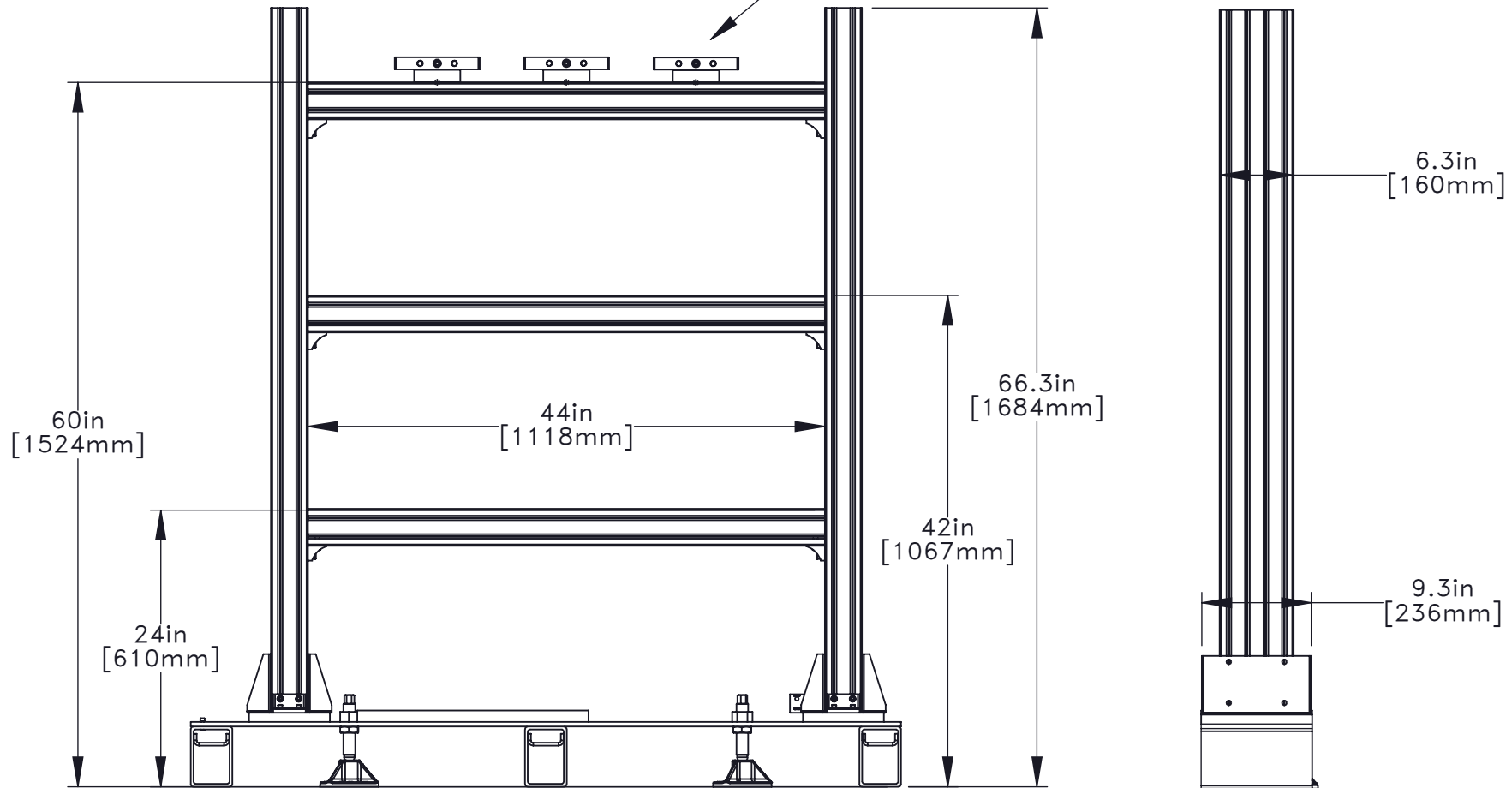


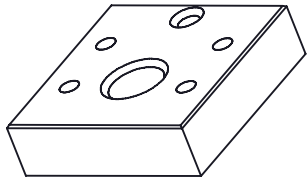
THE OPTIONAL LIGHT CURTAIN AND FENCE
COVER APPROXIMATELY THE SAME
DEPTH AND WIDTH

5 Pallets is the maximum that can fit per shelf.
The height of the shelves may be adjusted as needed.
The Pallet Locations need to be equally spaced
in the vertical and horizontal directions.

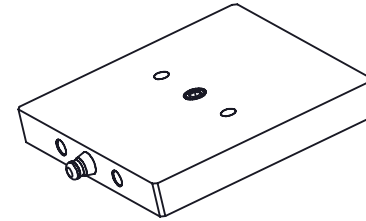
3 Pallets (09-0732) and 3 Pallet Holders
(09-0733) are Included with RPL.
Additional Holders and Pallets
available on HaasTooling.com

Optional 2nd_Pallet Rack also includes
3 Pallets (09-0732) and
3 Pallet Holders (09-0733)

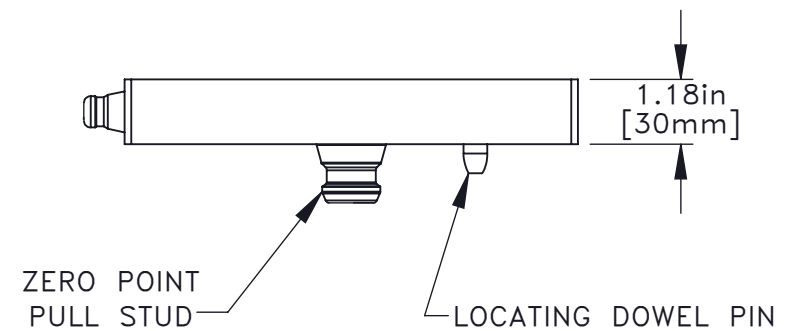
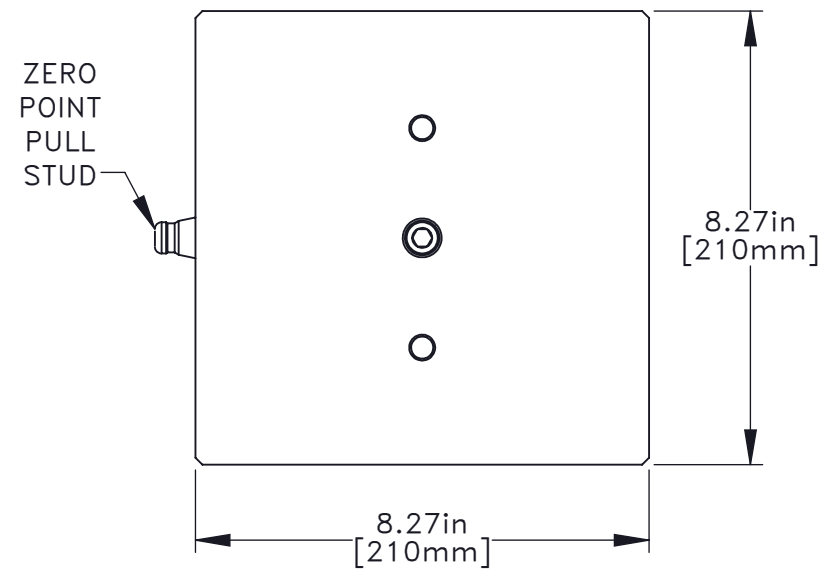
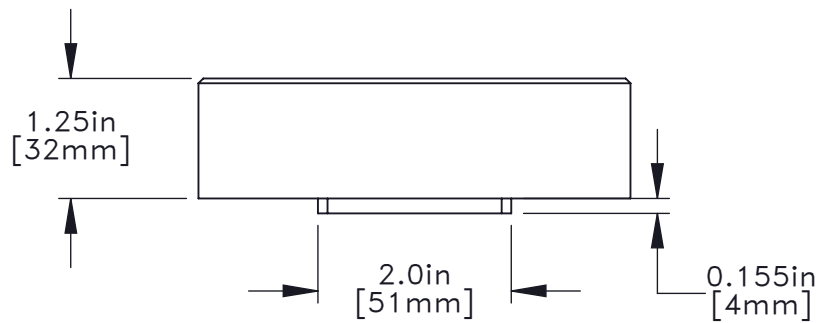
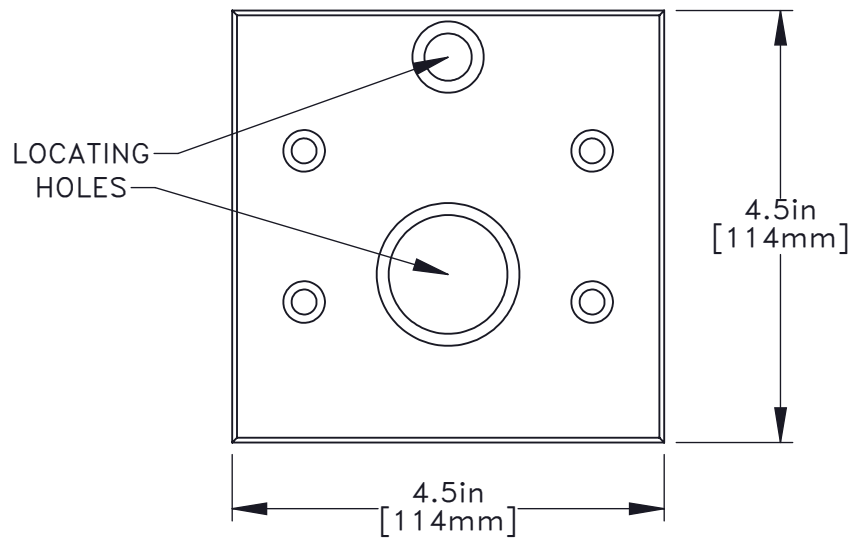




Zero Point Pallet Holders for RPL
3 each (09-0733) Included with
Standard Rack and 3 more each
with the optional 2nd-Rack

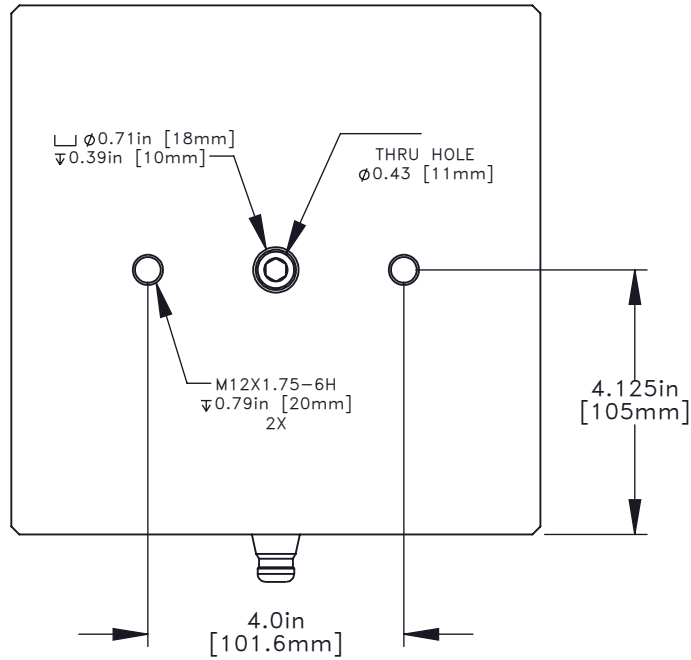


RPL Pallet Kit
3 each (09-0732) included
with the Standard Rack
and 3 more each with
the optional 2nd-Rack

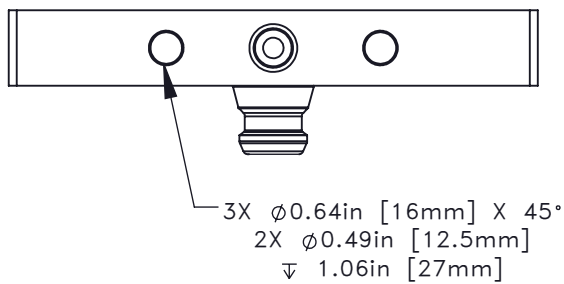




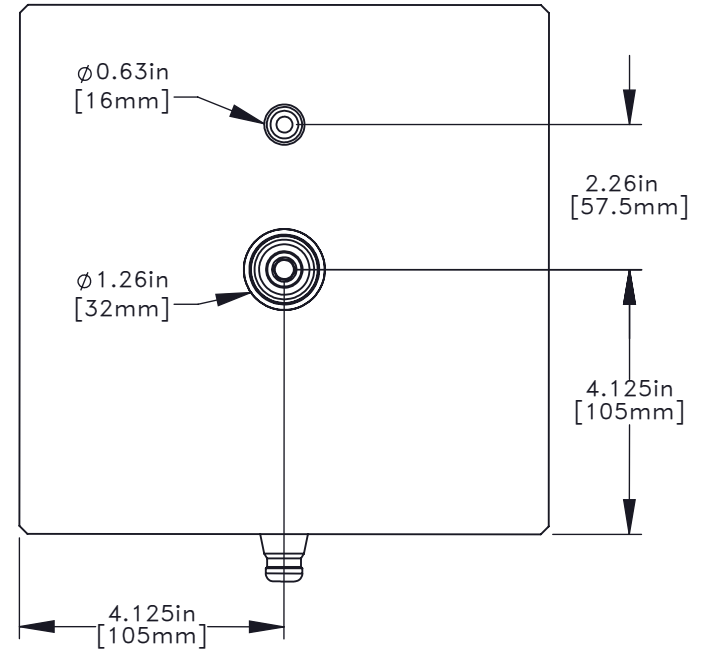
TOP VIEW



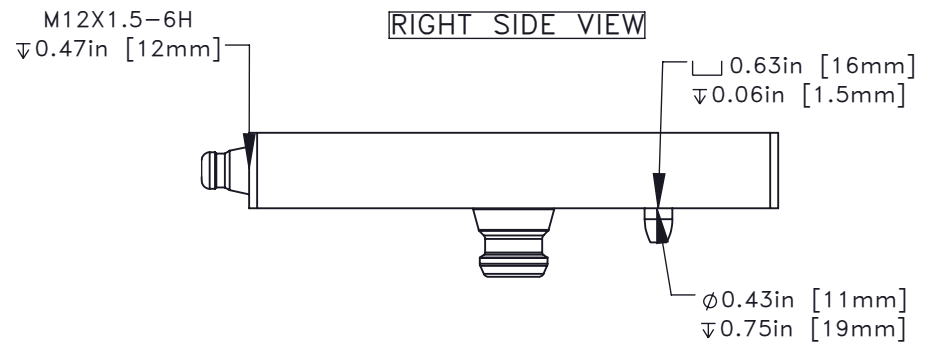
FRONT VIEW



BOTTOM VIEW



RIGHT SIDE VIEW





There is up to 15in (381mm) diameter of clearance in the loading station

The maximum part size will be determined by the clearance on the pallet racks

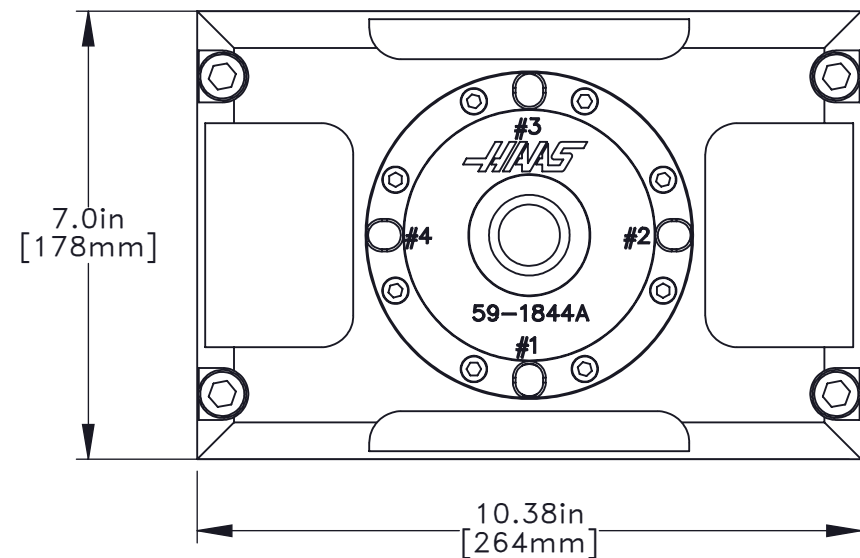
Pallet is held without air in the loading station. Gravity only

The maximum part weight is determined by the robot maximum capacity, minus the total weight of the pallet, the end effector, the workholding on the pallet and the part

210mm Zero Point Pallet weighs 9lb (4.1kg)

The standard gripper (End Effector) weight is 3lb (1.4kg) and the Clamping Force is 2,204lbf (9,804N)

TOP VIEW



SIDE VIEW

