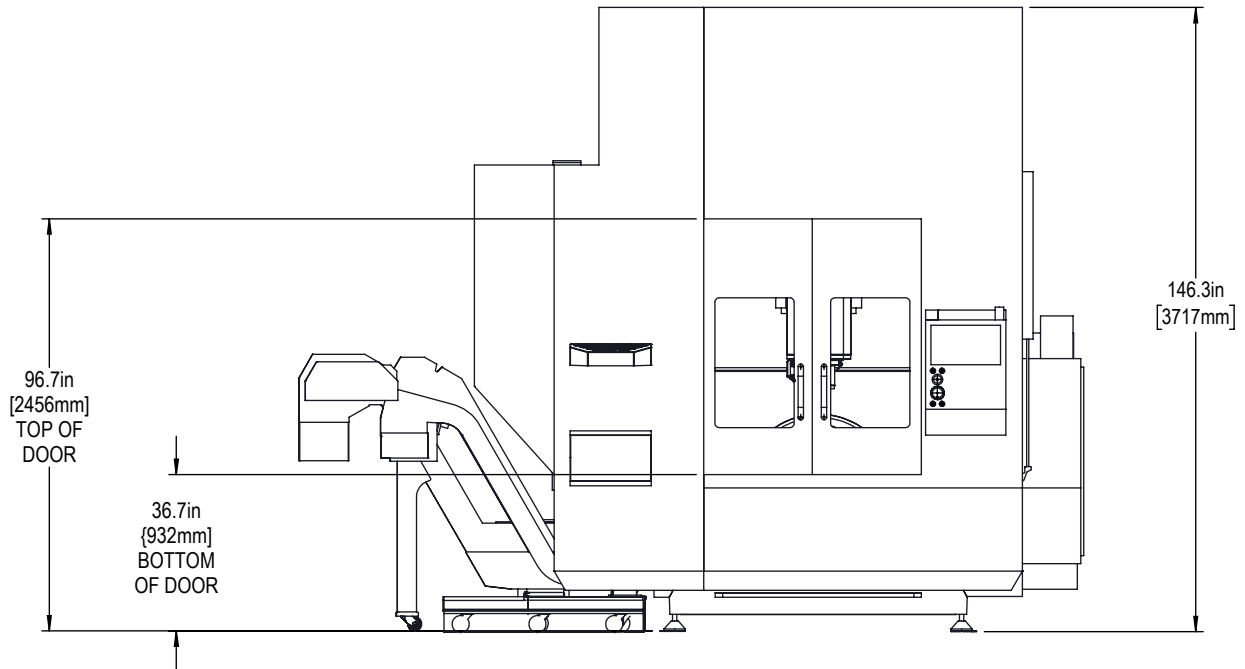




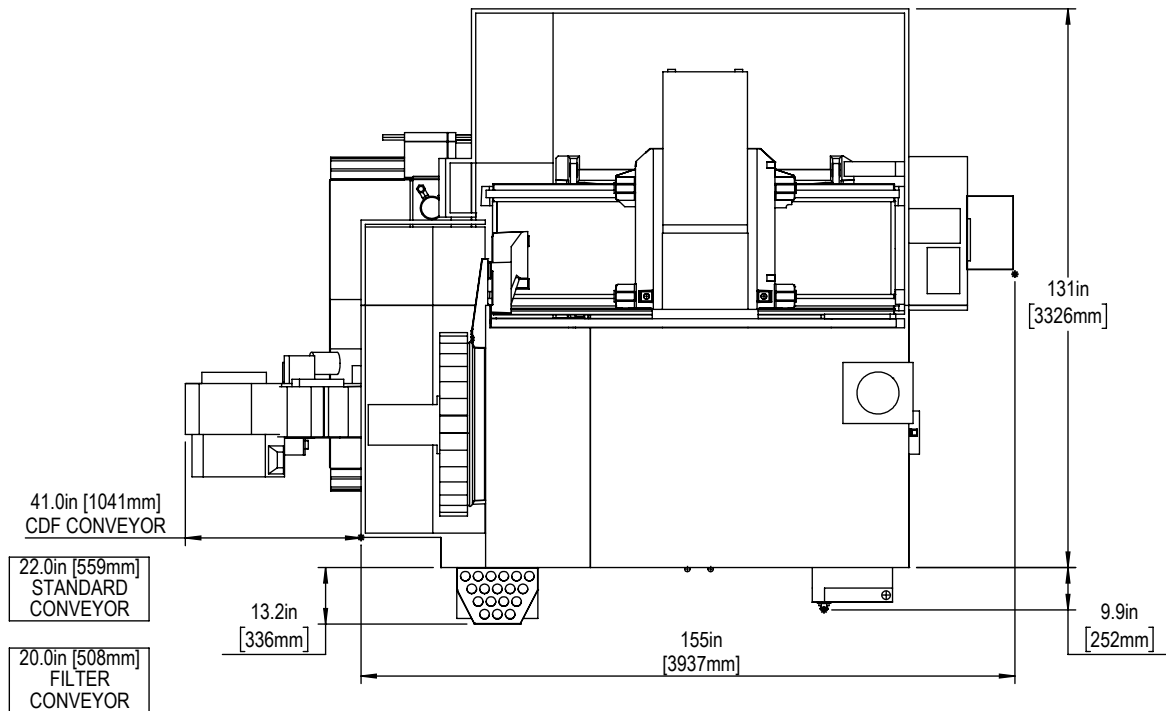
FRONT VIEW - OPERATIONAL HEIGHT



REFER TO THE INSTALLATION INSTRUCTIONS FOR STEP BY STEP GUIDANCE

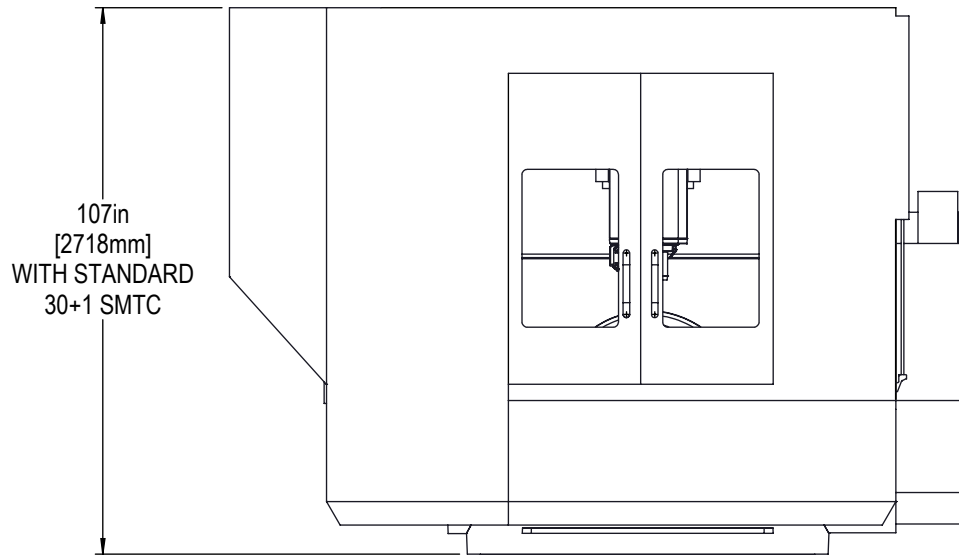
DRAWING NOT TO SCALE

TOP VIEW - OPERATIONAL DEPTH AND WIDTH





FRONT VIEW



DIMENSION SHOWN IS FROM THE BOTTOM OF THE BASE TO THE TOP OF THE ENCLOSURE

THE MACHINE SHIPS WITH THE ROOF REMOVED

LEVELING SCREWS AND PADS ARE REMOVED TO REDUCE HEIGHT

TOP VIEW

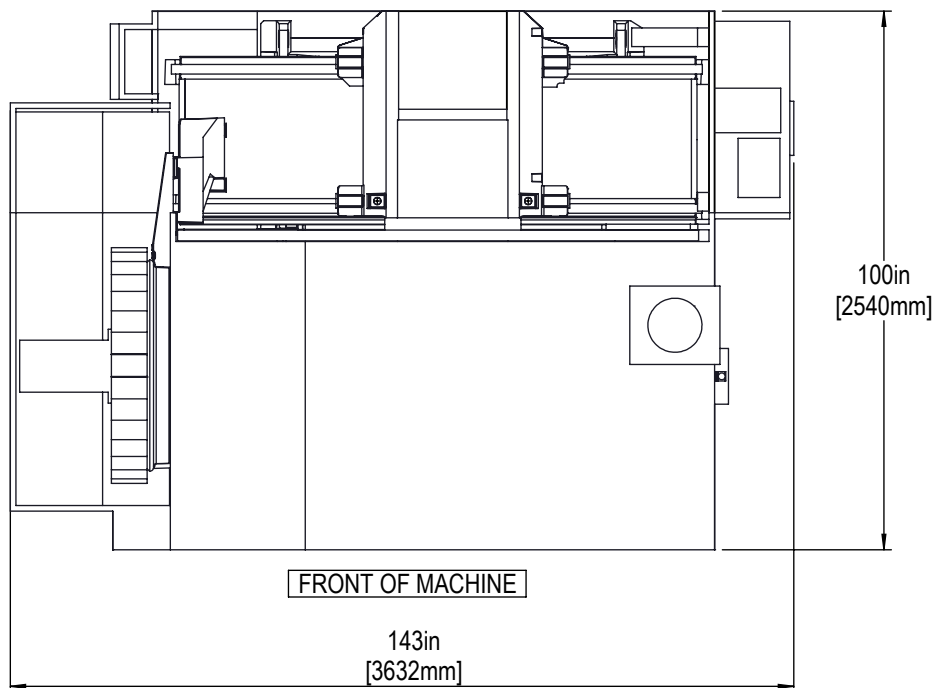


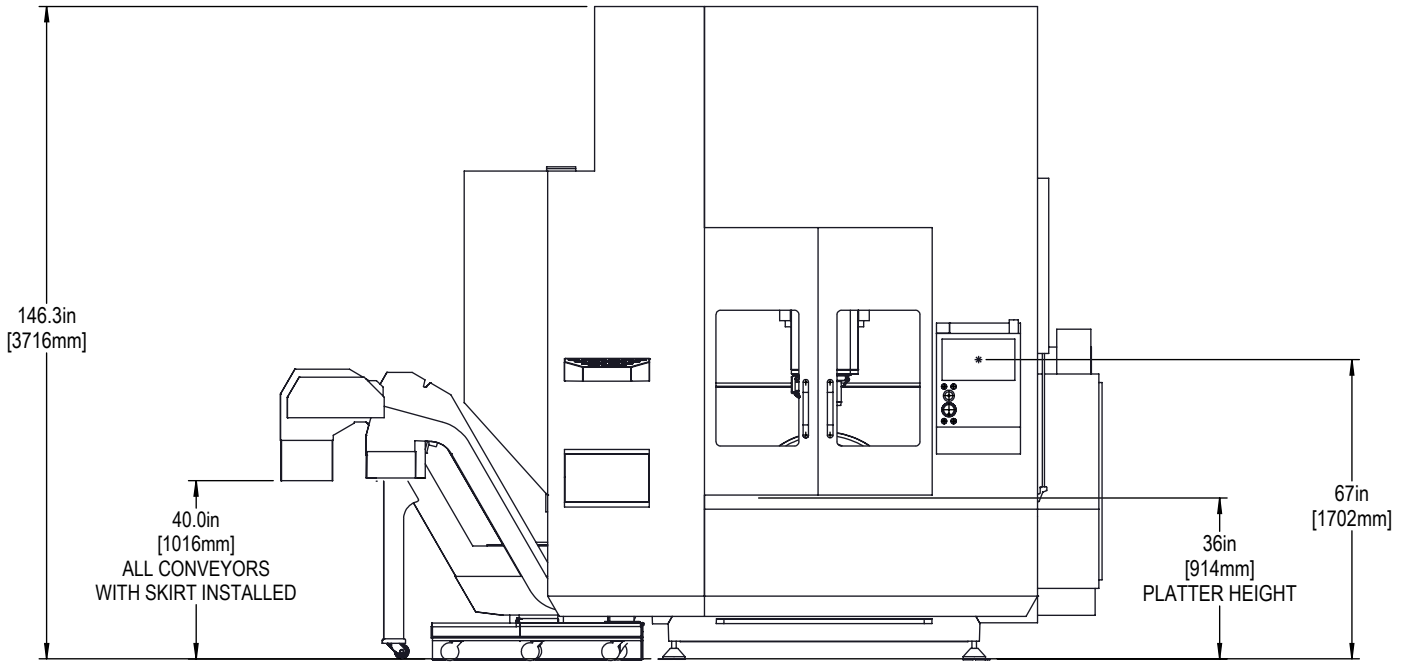
IMAGE SHOWN AS THE MACHINE SHIPS - REAR PART OF ENCLOSURE IS REMOVED

CONTROL IS ALSO REMOVED TO PREVENT DAMAGE AND MINIMIZE SIZE



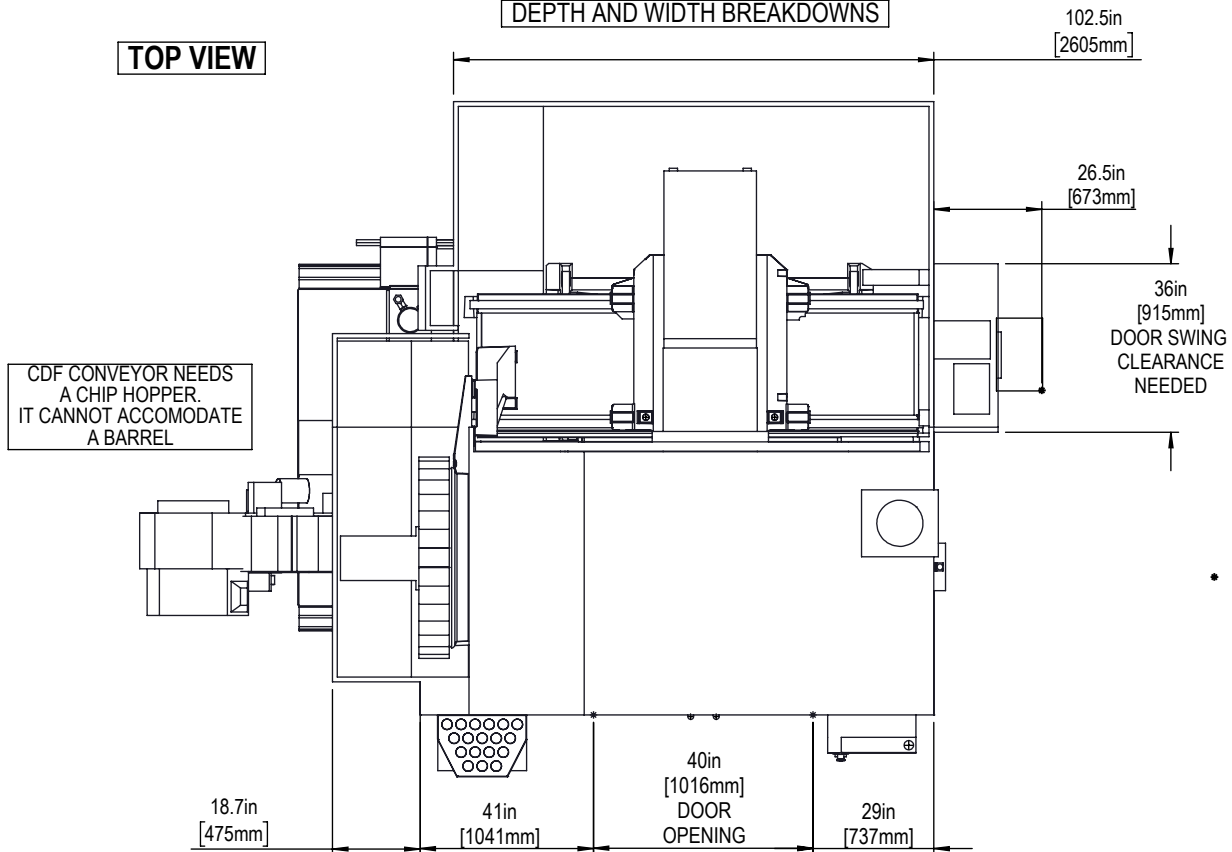
**FRONT VIEW**

**HEIGHT BREAKDOWNS**



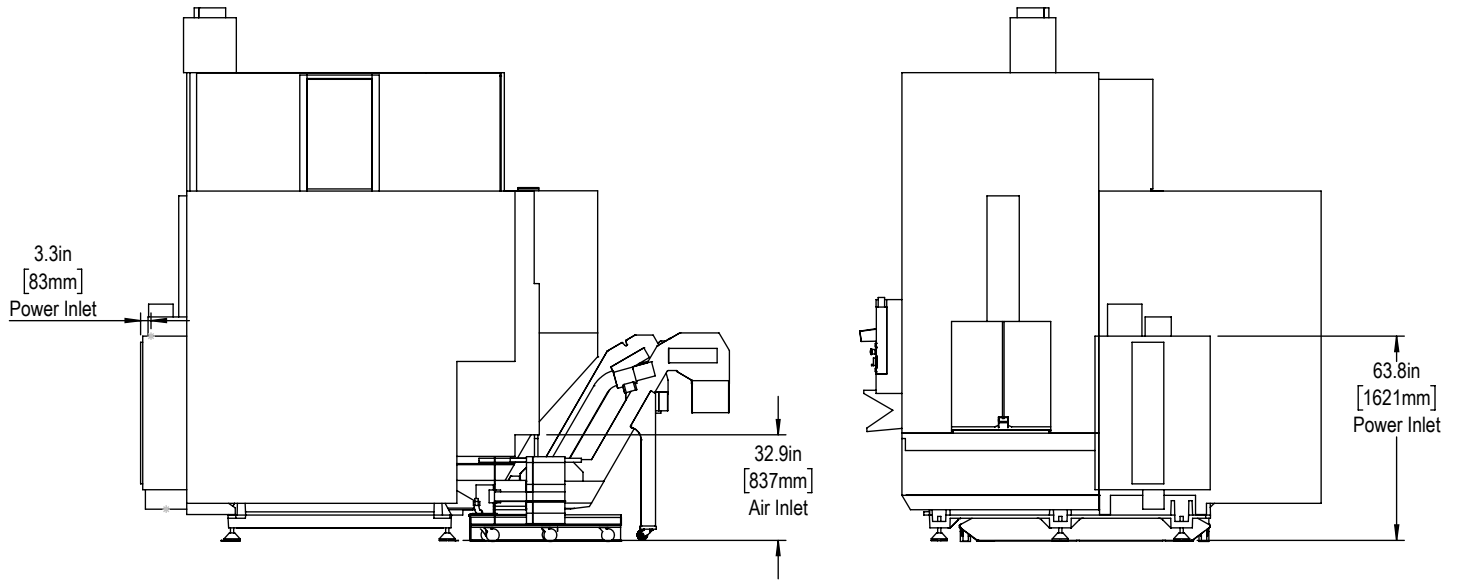
**DEPTH AND WIDTH BREAKDOWNS**

**TOP VIEW**



BACK VIEW

RIGHT SIDE VIEW

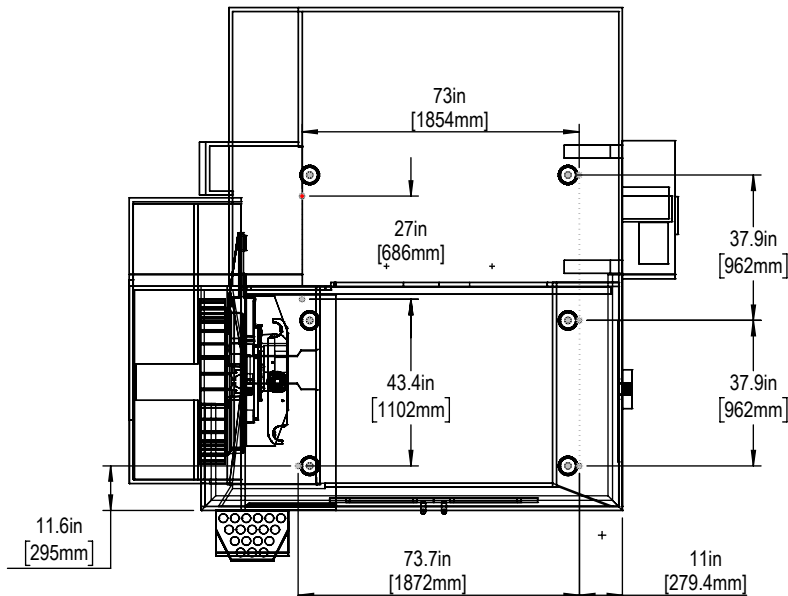


REFER TO MACHINE INSTALLATION INSTRUCTIONS FOR DETAILS

A 36in [914mm] CLEARANCE IS REQUIRED FOR ELECTRICAL CABINET

NOTE: MACHINE MUST BE PLACED ON ONE CONTINUOUS CONCRETE SLAB.  
SLAB SHOULD EXTEND 12in [305mm] BEYOND ANCHOR HOLES IN ALL DIRECTIONS

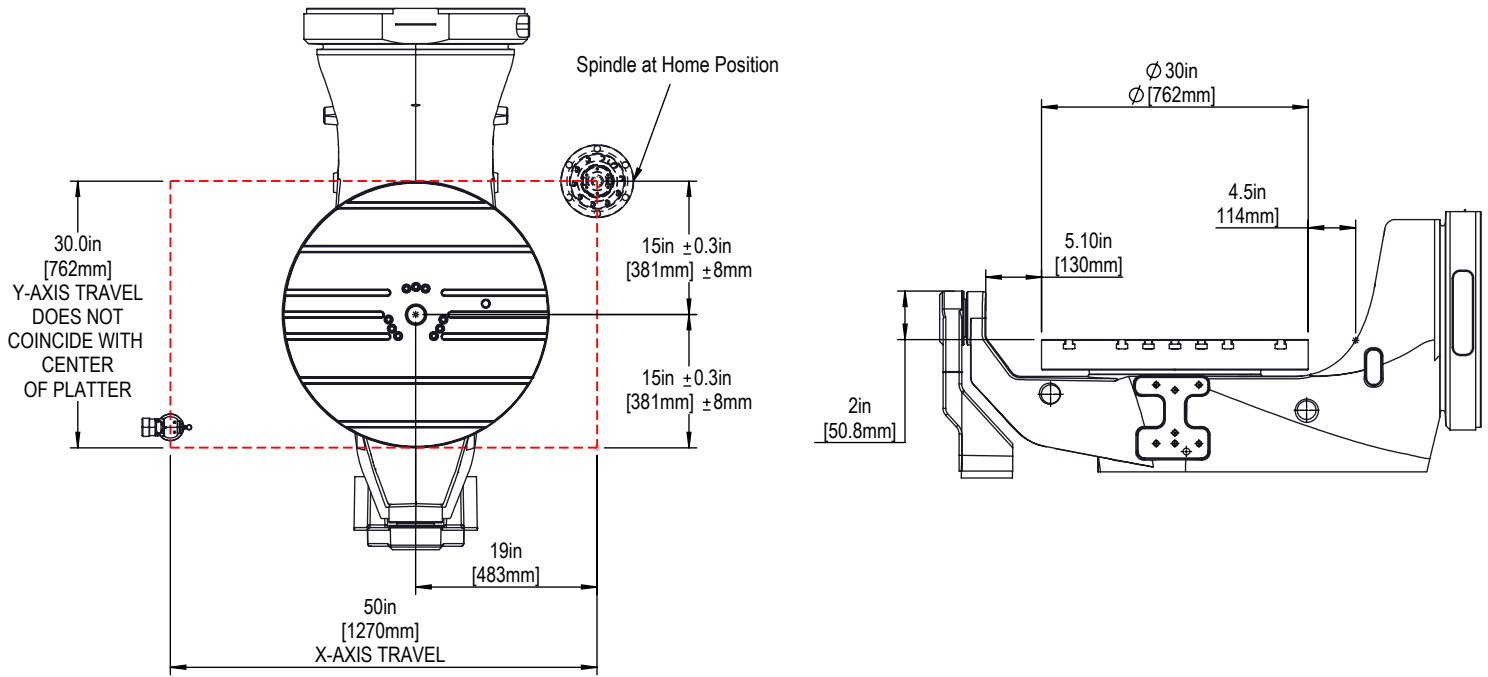
ANCHOR HOLE  
DETAILS:  
Ø 0.62in [16mm]  
▽ 2in [51mm]  
▽ 2.25in [57mm]



FOR PRECISE DRILLING LOCATIONS PLEASE USE THE TEMPLATE FROM THE MACHINE ANCHORING KIT

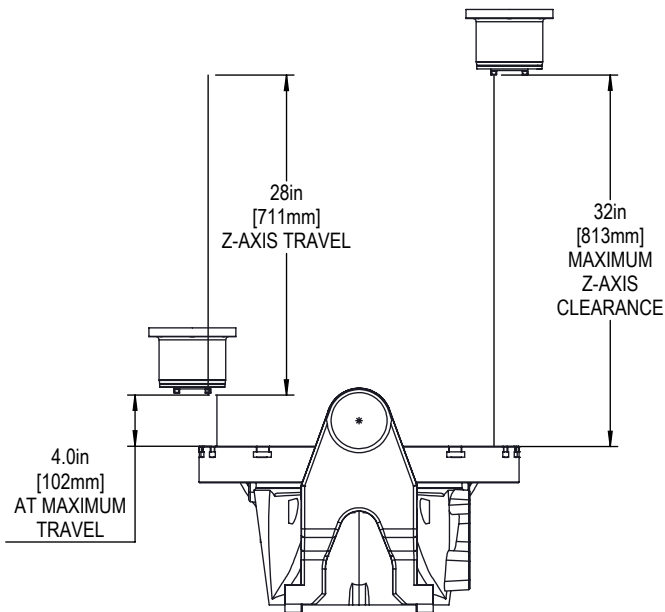


X&Y Axis Clearance

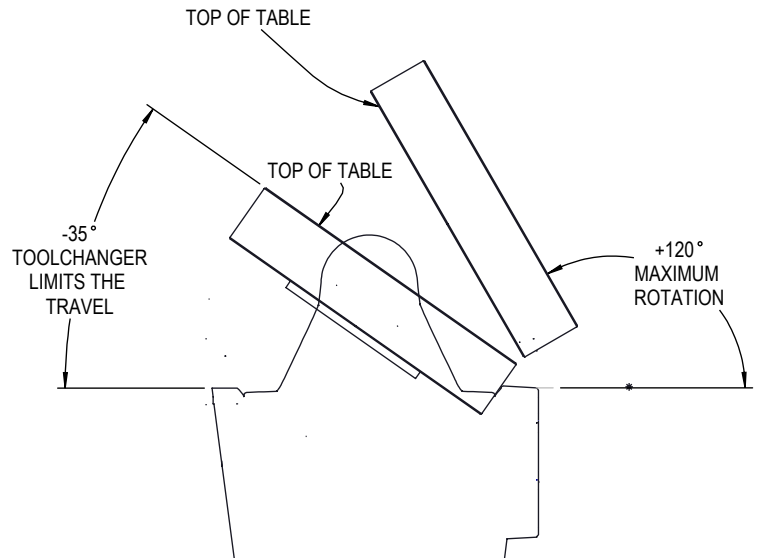


SKETCH NOT TO SCALE

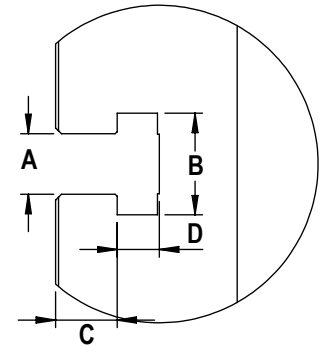
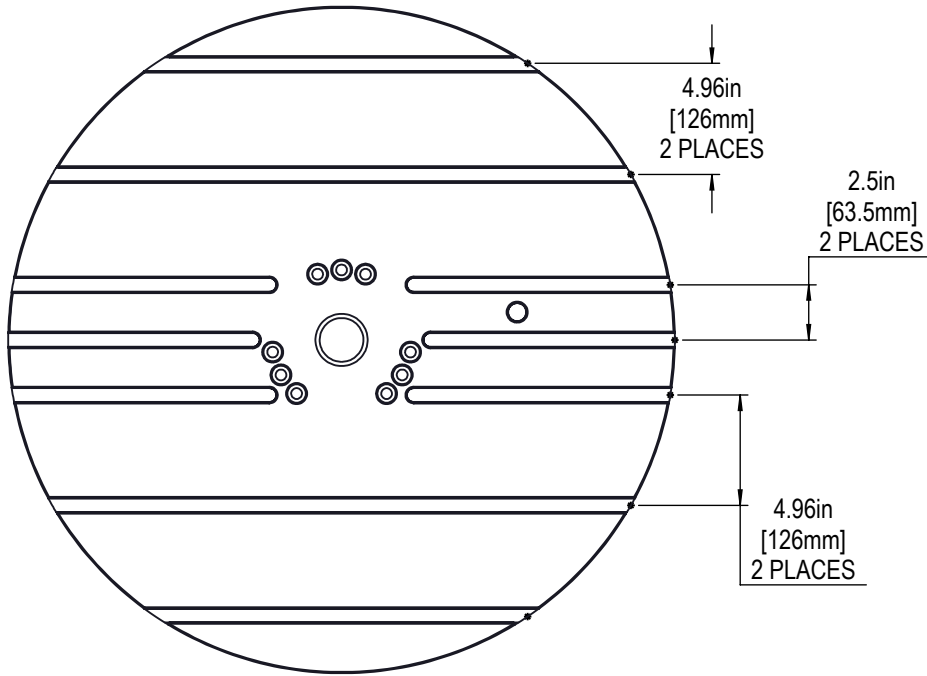
Z Axis Clearance at B0



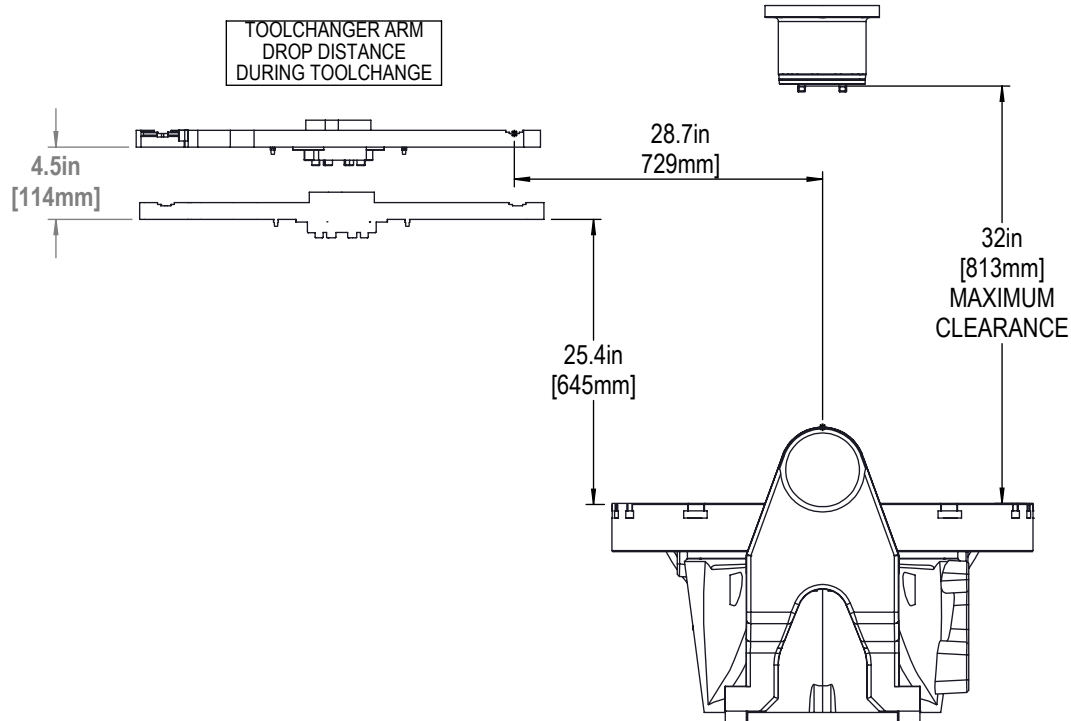
B-AXIS TILT

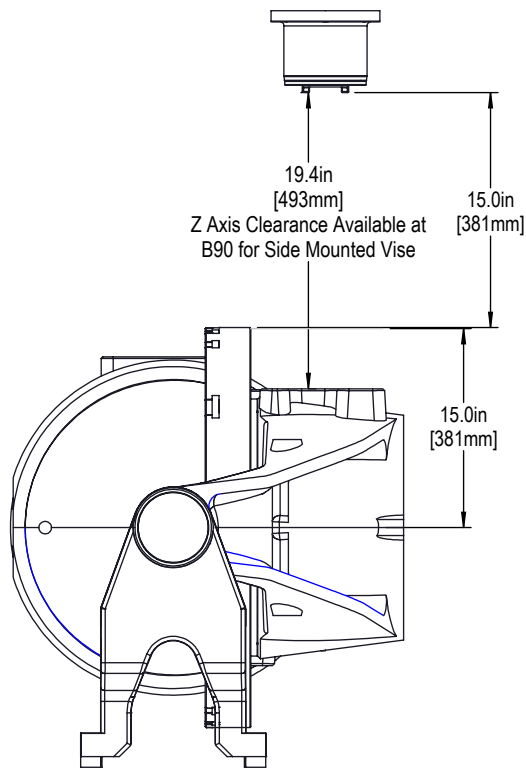


MACHINE TABLE FRONT VIEW

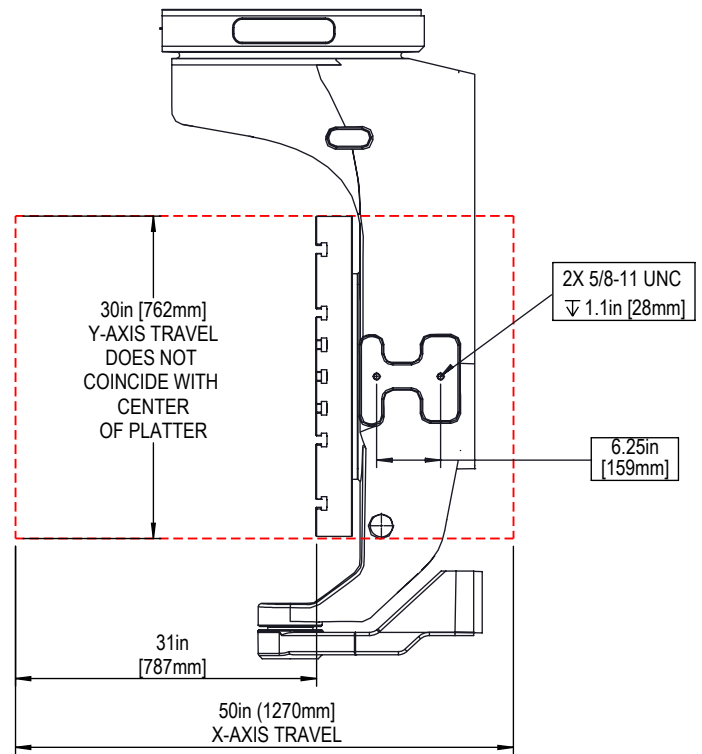


Slot Size	A	B	C	D
16mm	0.628in	1.06in	0.64in	0.42in
16mm	16mm	27mm	16mm	10.5mm





Front View B90



Top View B90

