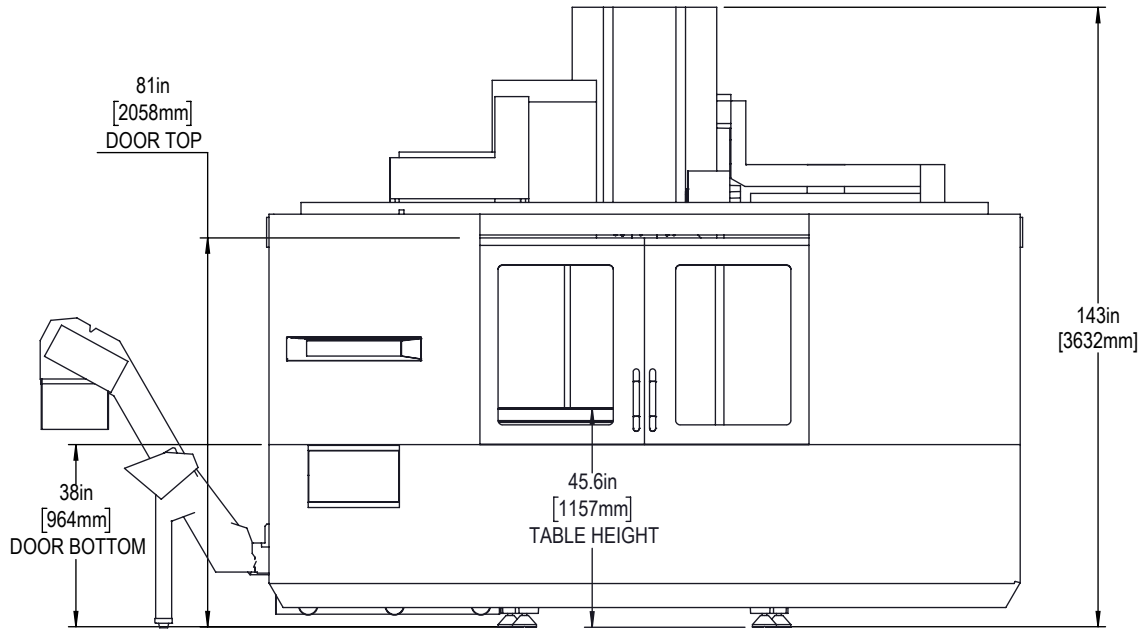


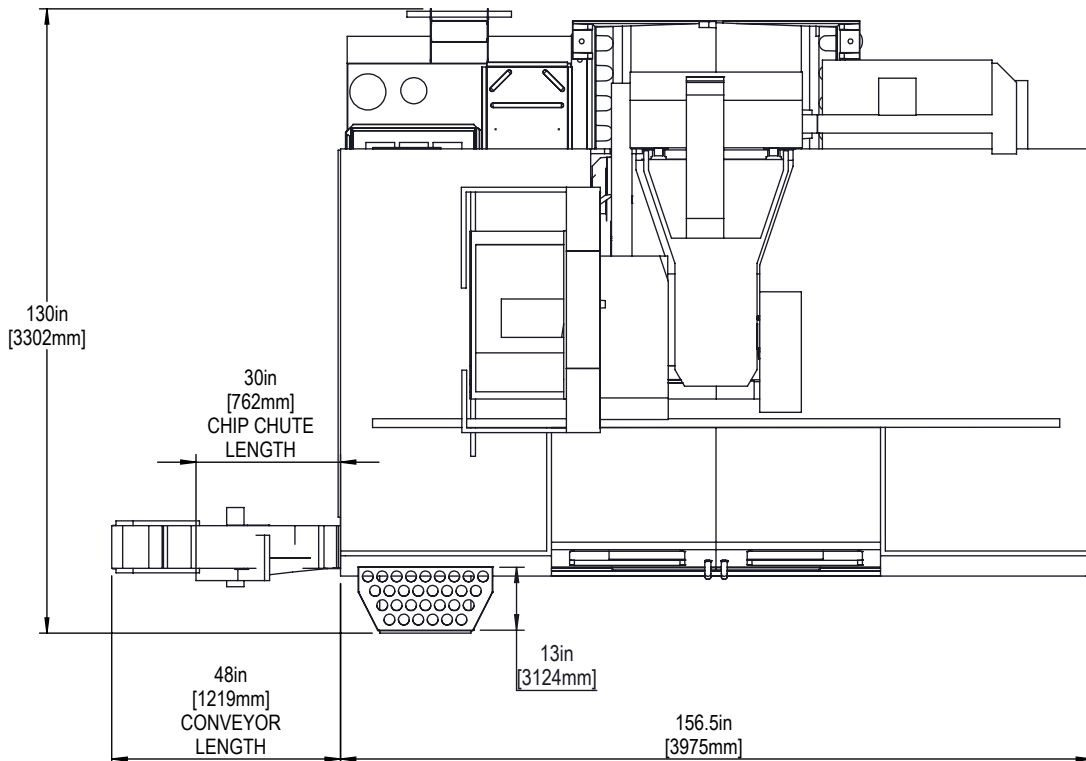


FRONT VIEW - OPERATIONAL HEIGHT



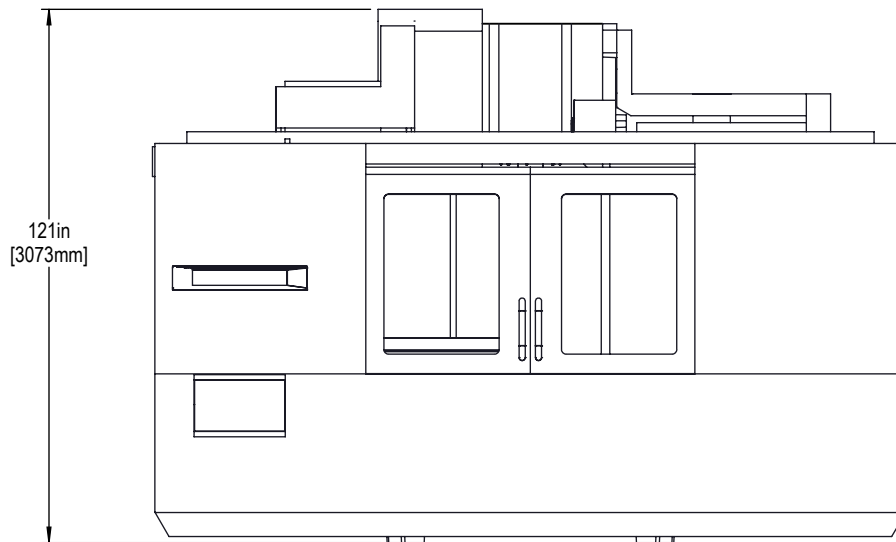
REFER TO THE INSTALLATION INSTRUCTIONS FOR STEP BY STEP GUIDANCE

TOP VIEW - OPERATIONAL DEPTH AND WIDTH





FRONT VIEW



DIMENSION SHOWN IS FROM THE BOTTOM OF THE BASE TO THE TOP OF THE ROOF

LEVELING SCREWS AND PADS ARE REMOVED TO REDUCE HEIGHT

TOP VIEW

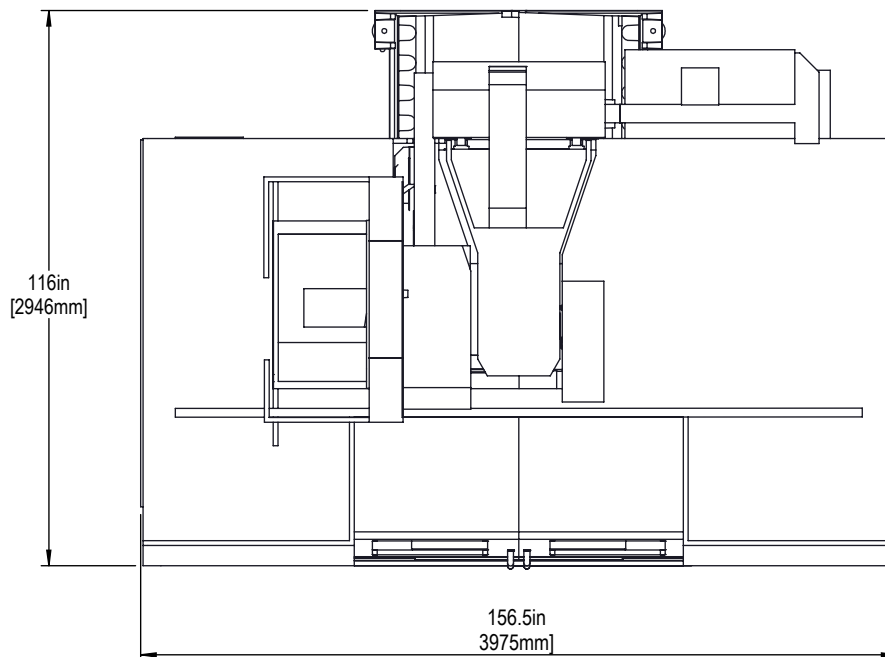
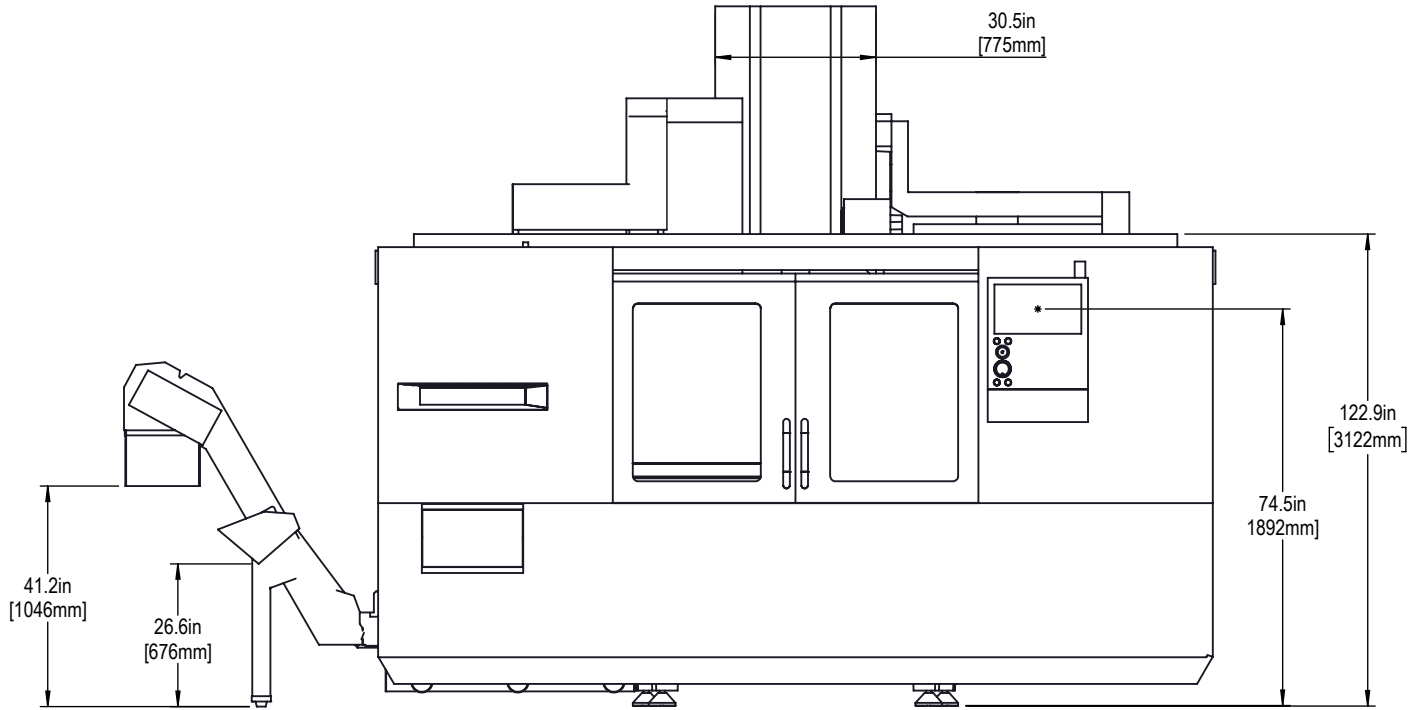


IMAGE SHOWN HAS COOLANT TANK REMOVED TO SHOW THE SMALLEST DEPTH

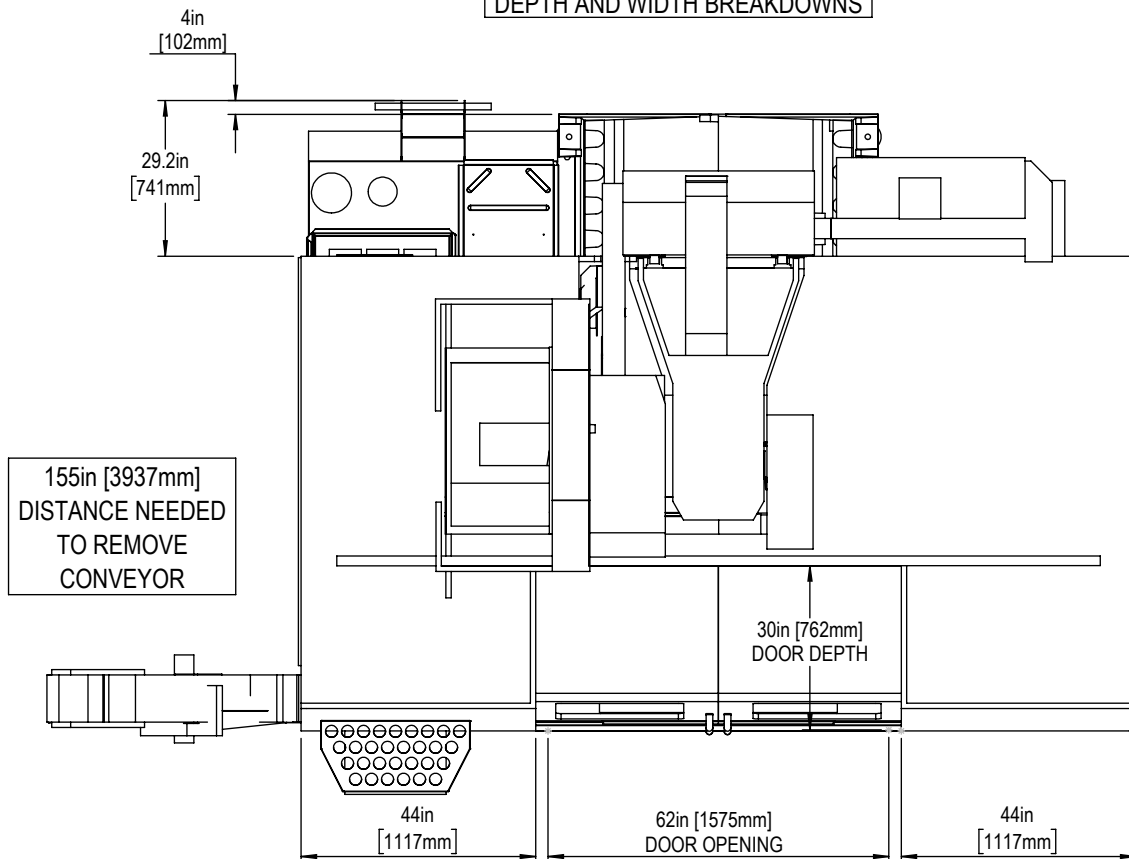
MACHINE SHIPS WITH CONTROL REMOVED



HEIGHT BREAKDOWNS

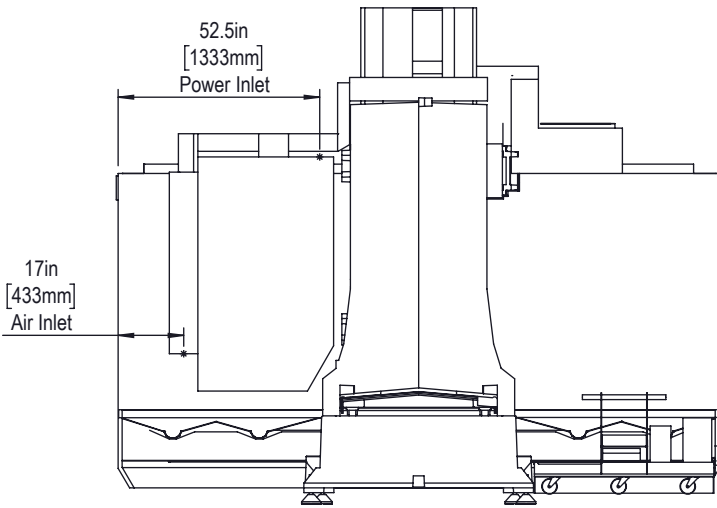


DEPTH AND WIDTH BREAKDOWNS

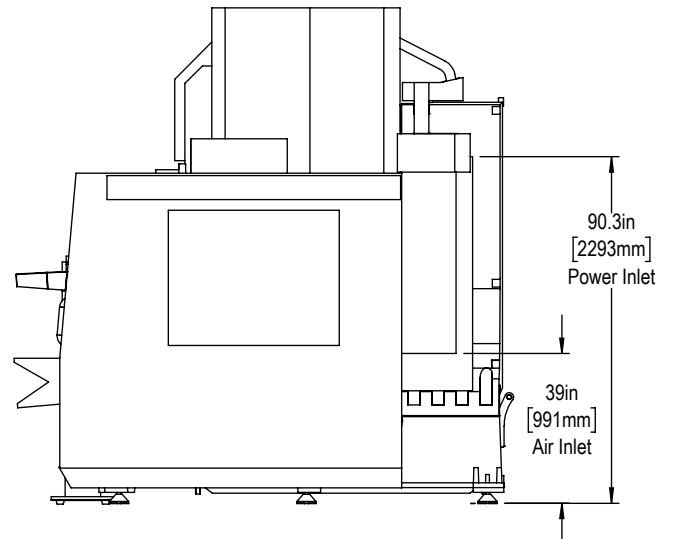




BACK VIEW



RIGHT SIDE VIEW

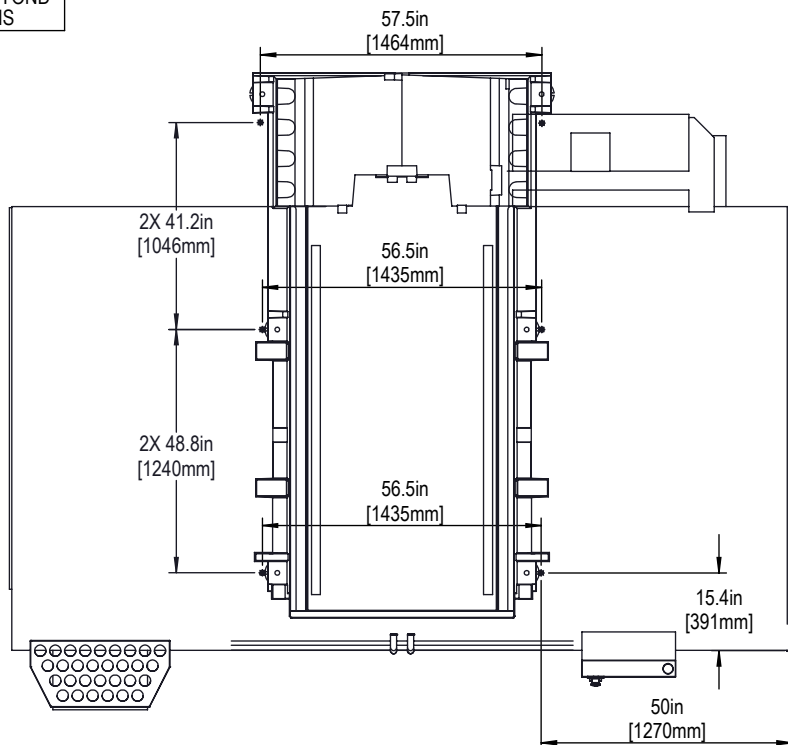


REFER TO MACHINE INSTALLATION INSTRUCTIONS FOR DETAILS

A 36in [914mm] CLEARANCE IS REQUIRED FOR ELECTRICAL CABINET

NOTE: MACHINE MUST BE PLACED ON ONE CONTINUOUS CONCRETE SLAB.
SLAB SHOULD EXTEND 12in [305mm] BEYOND ANCHOR HOLES IN ALL DIRECTIONS

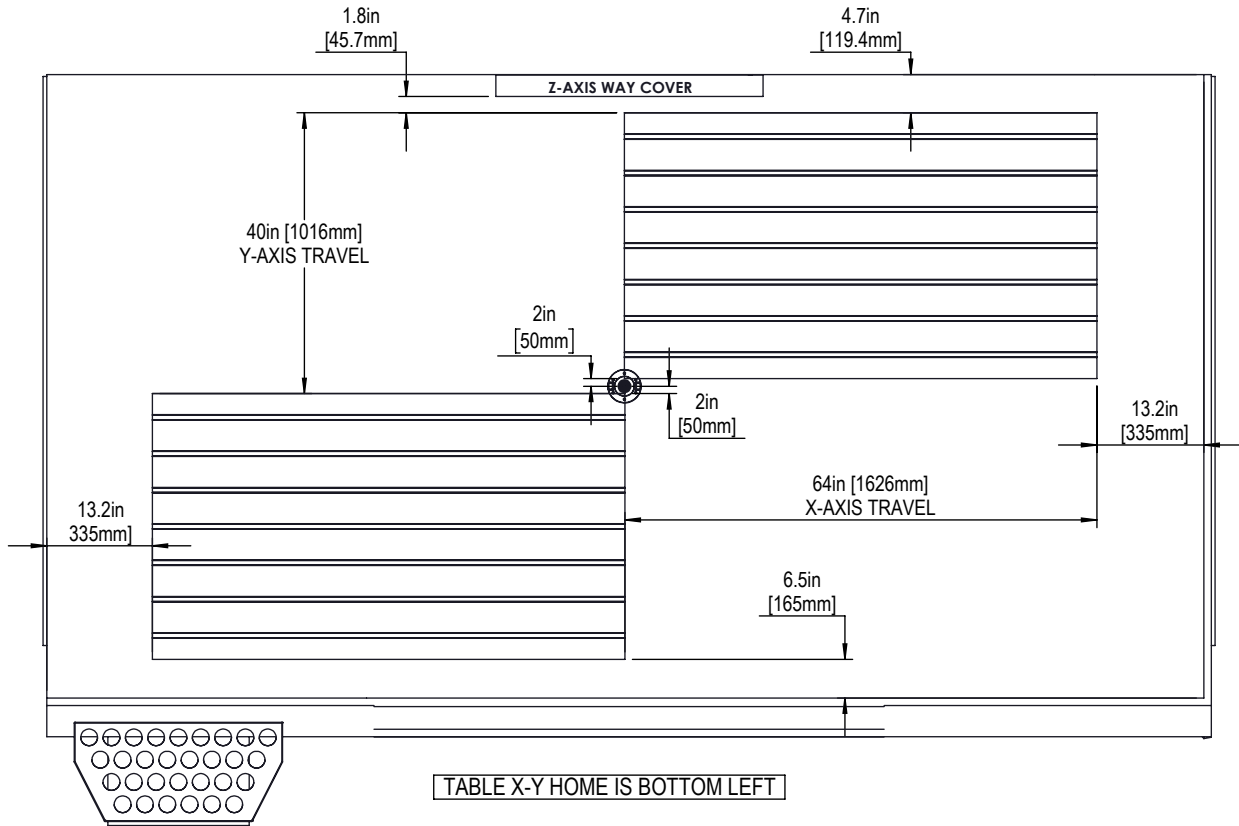
ANCHOR HOLE DETAILS:
 \varnothing 0.62in [16mm]
 ▾ 2in [51mm]
 ▾ 2.25in [57mm]



FOR PRECISE DRILLING LOCATIONS PLEASE USE THE TEMPLATE FROM THE MACHINE ANCHORING KIT

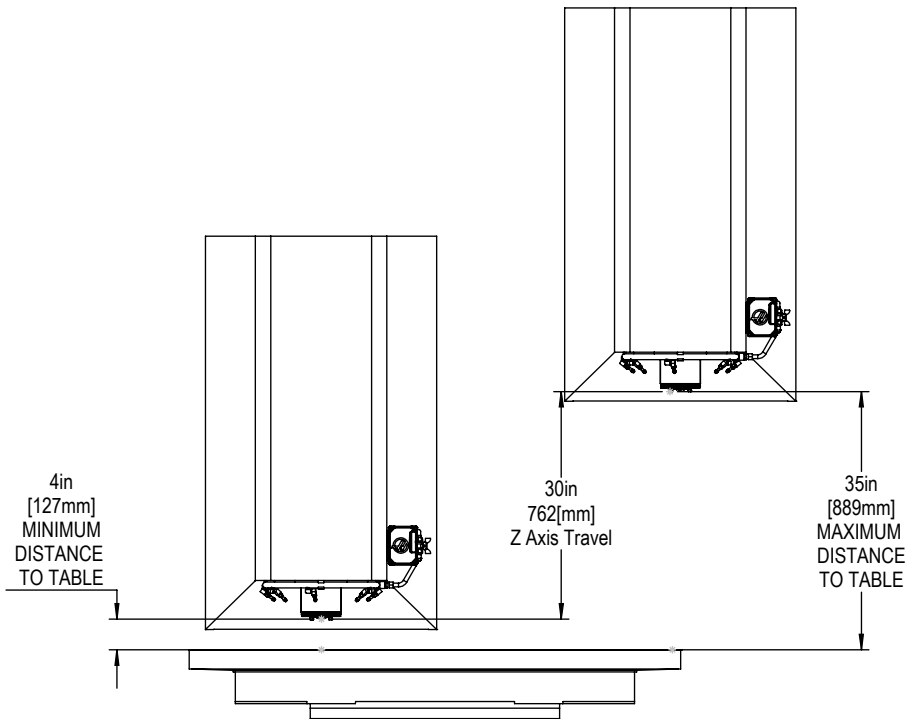


X AND Y AXIS TRAVEL & WORK ENVELOPE



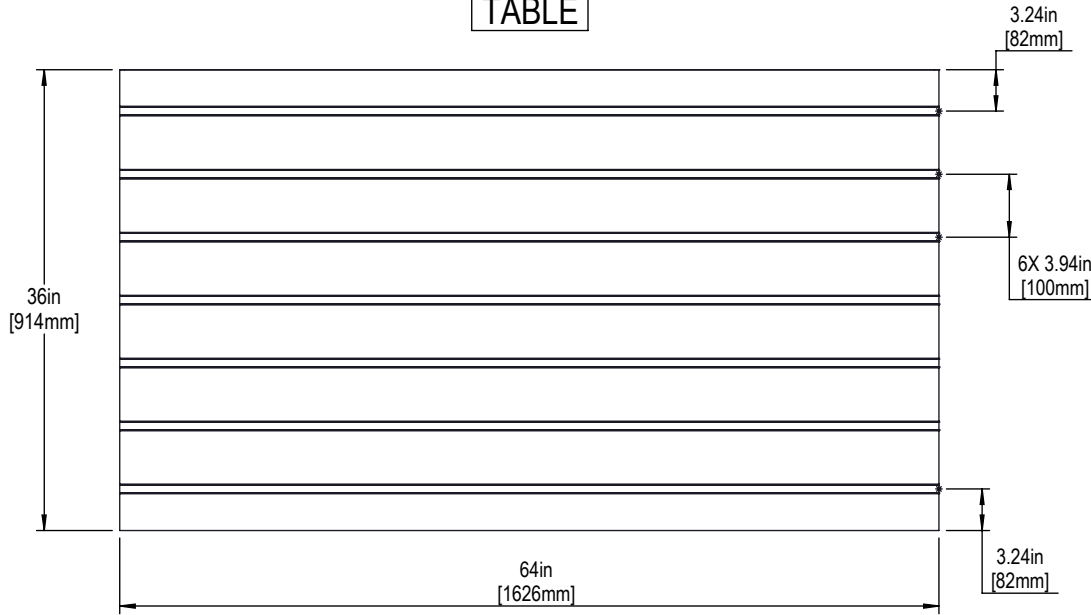
DRAWING NOT TO SCALE

Z AXIS TRAVEL

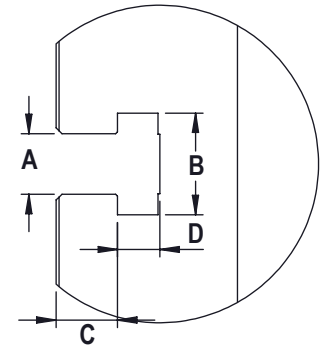


MACHINE TABLE FRONT VIEW

TABLE



Slot Size	A	B	C	D
16mm	0.628in	1.06in	0.64in	0.42in
16mm	16mm	27mm	16mm	10.5mm



TOOL CHANGER

