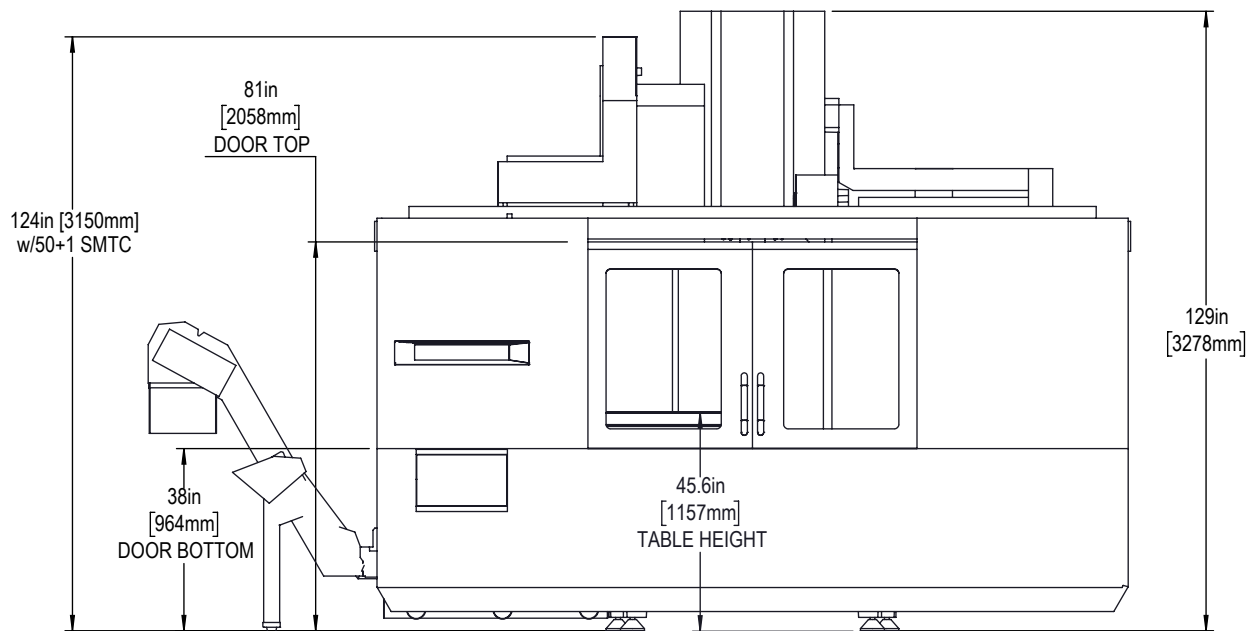


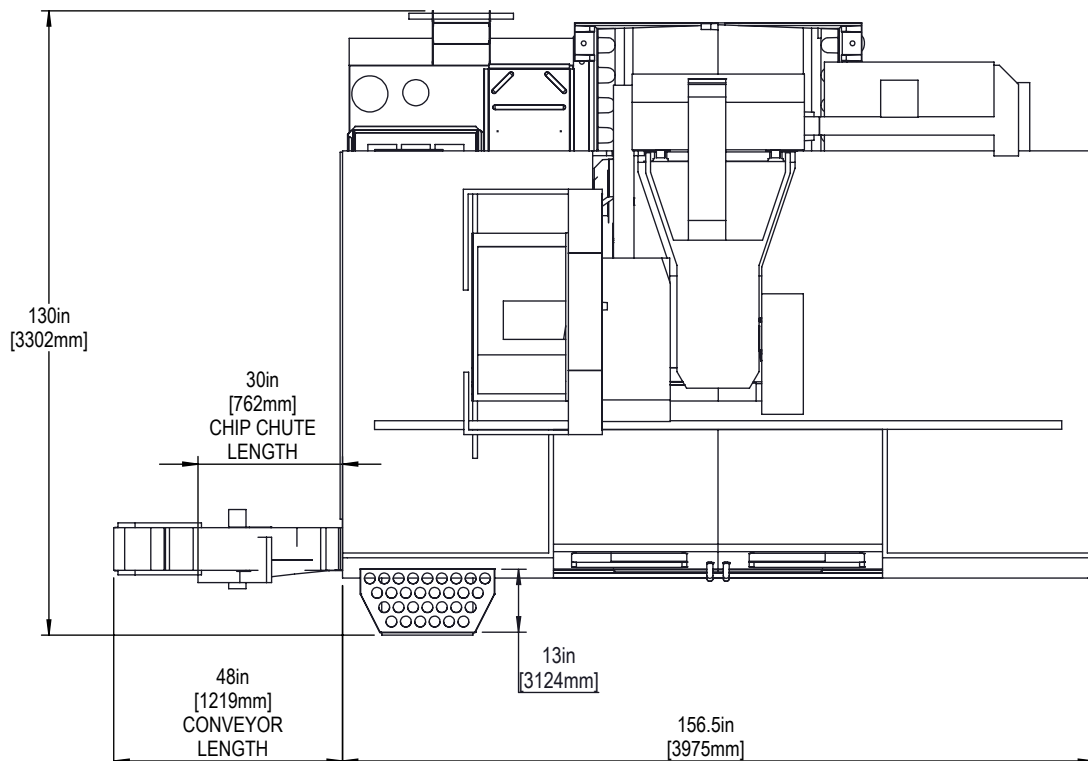


FRONT VIEW - OPERATIONAL HEIGHT



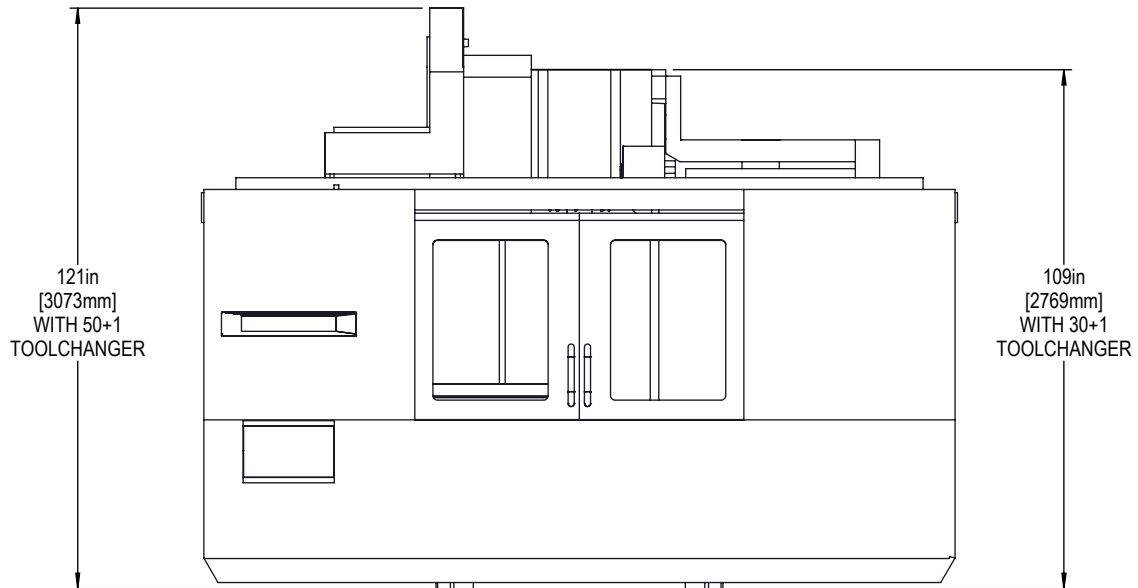
REFER TO THE INSTALLATION INSTRUCTIONS FOR STEP BY STEP GUIDANCE

TOP VIEW - OPERATIONAL DEPTH AND WIDTH





FRONT VIEW



DIMENSION SHOWN IS FROM THE BOTTOM OF THE BASE TO THE TOP OF THE ROOF

LEVELING SCREWS AND PADS ARE REMOVED TO REDUCE HEIGHT

TOP VIEW

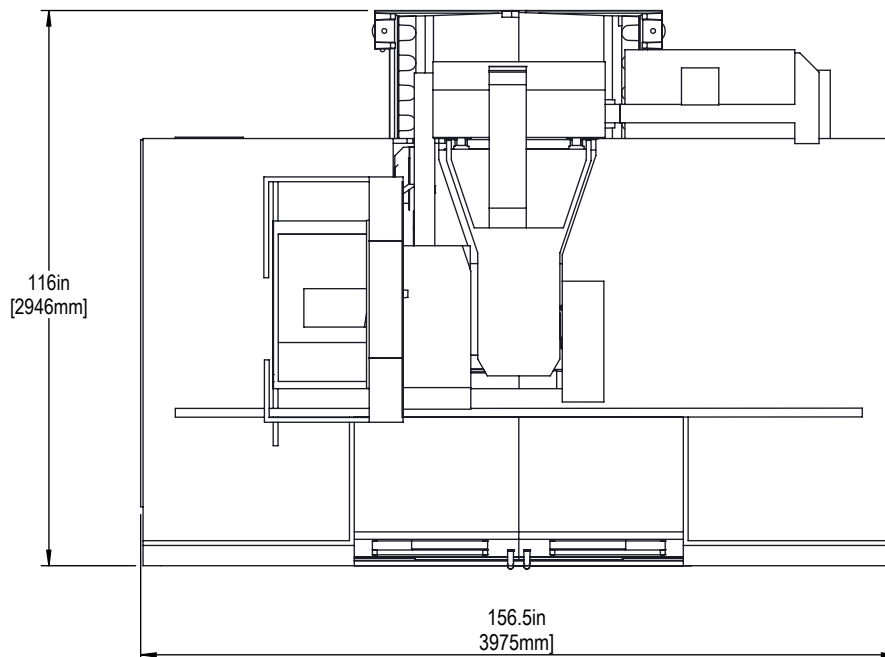
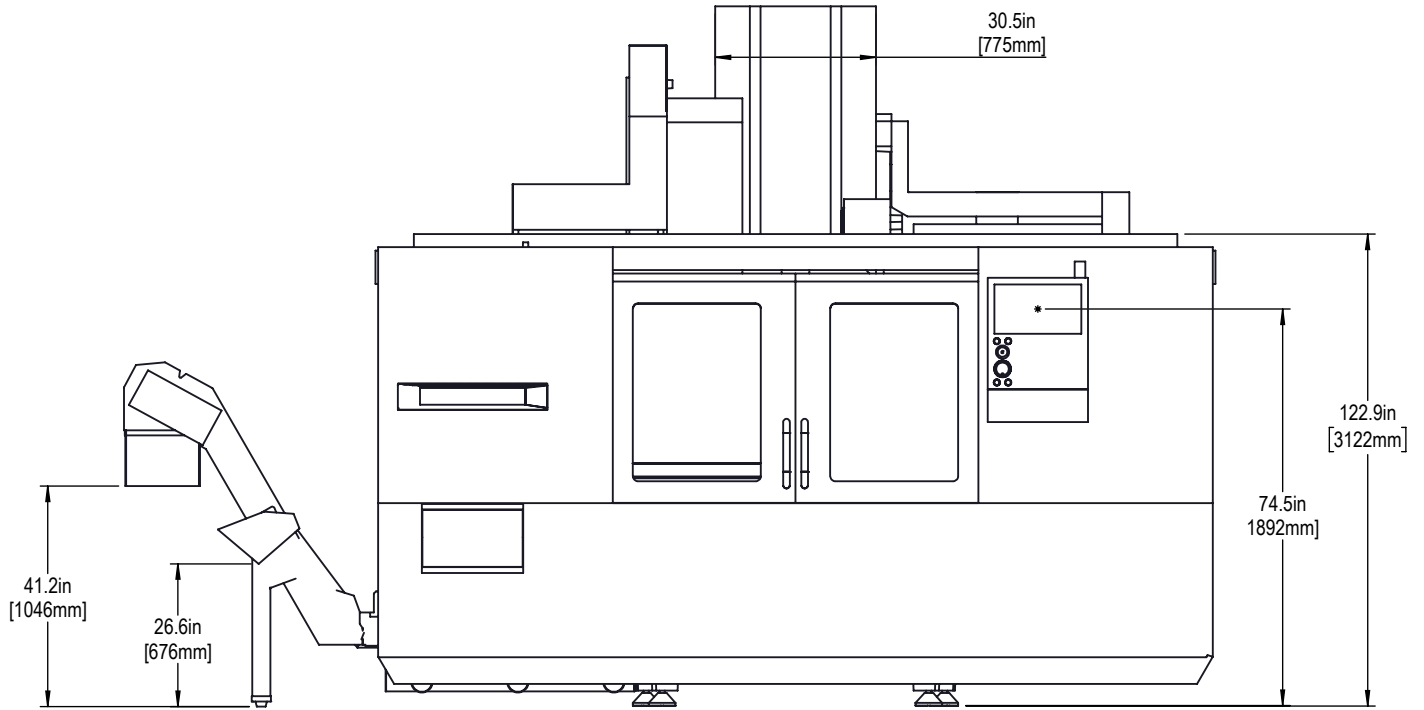


IMAGE SHOWN HAS COOLANT TANK REMOVED TO SHOW THE SMALLEST DEPTH

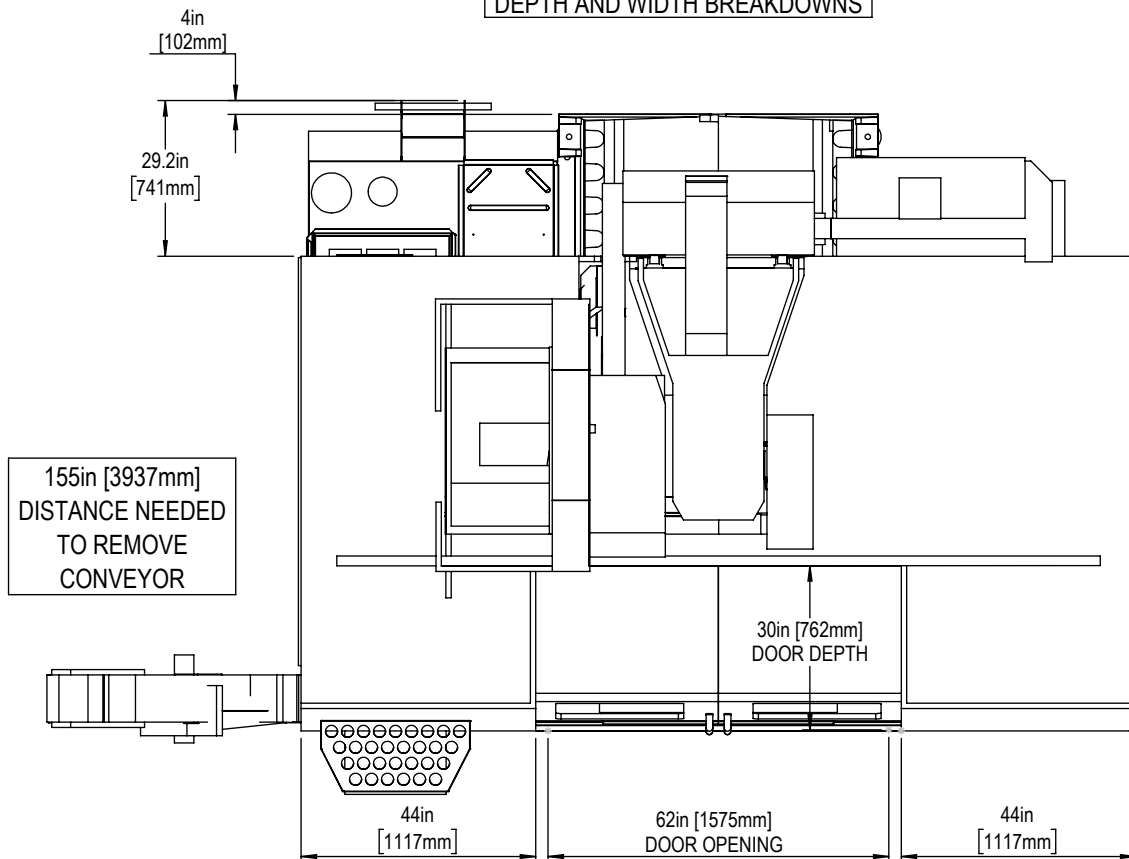
MACHINE SHIPS WITH CONTROL REMOVED



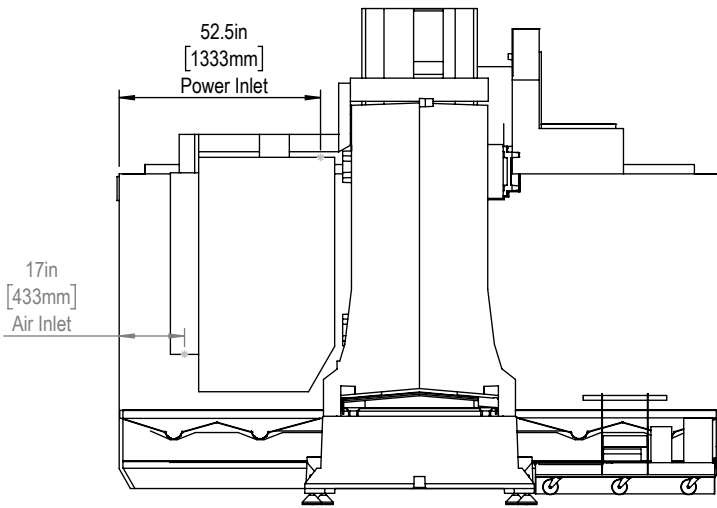
HEIGHT BREAKDOWNS



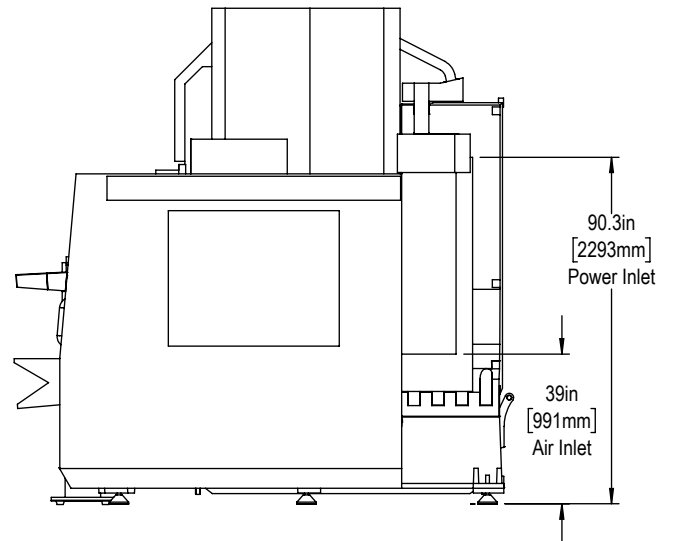
DEPTH AND WIDTH BREAKDOWNS



BACK VIEW



RIGHT SIDE VIEW

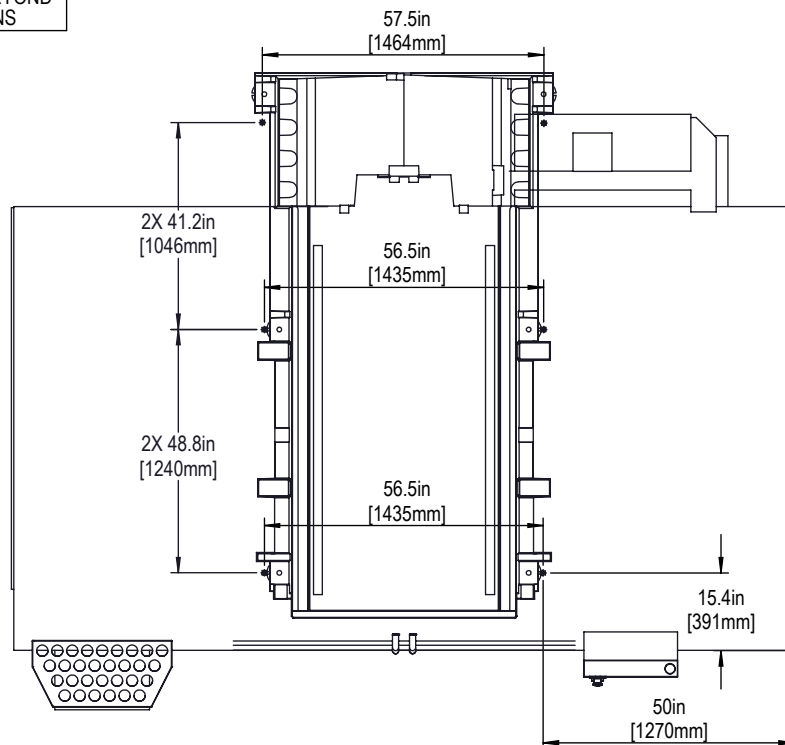


REFER TO MACHINE INSTALLATION INSTRUCTIONS FOR DETAILS

A 36in [914mm] CLEARANCE IS REQUIRED FOR ELECTRICAL CABINET

NOTE: MACHINE MUST BE PLACED ON ONE CONTINUOUS CONCRETE SLAB.  
SLAB SHOULD EXTEND 12in [305mm] BEYOND ANCHOR HOLES IN ALL DIRECTIONS

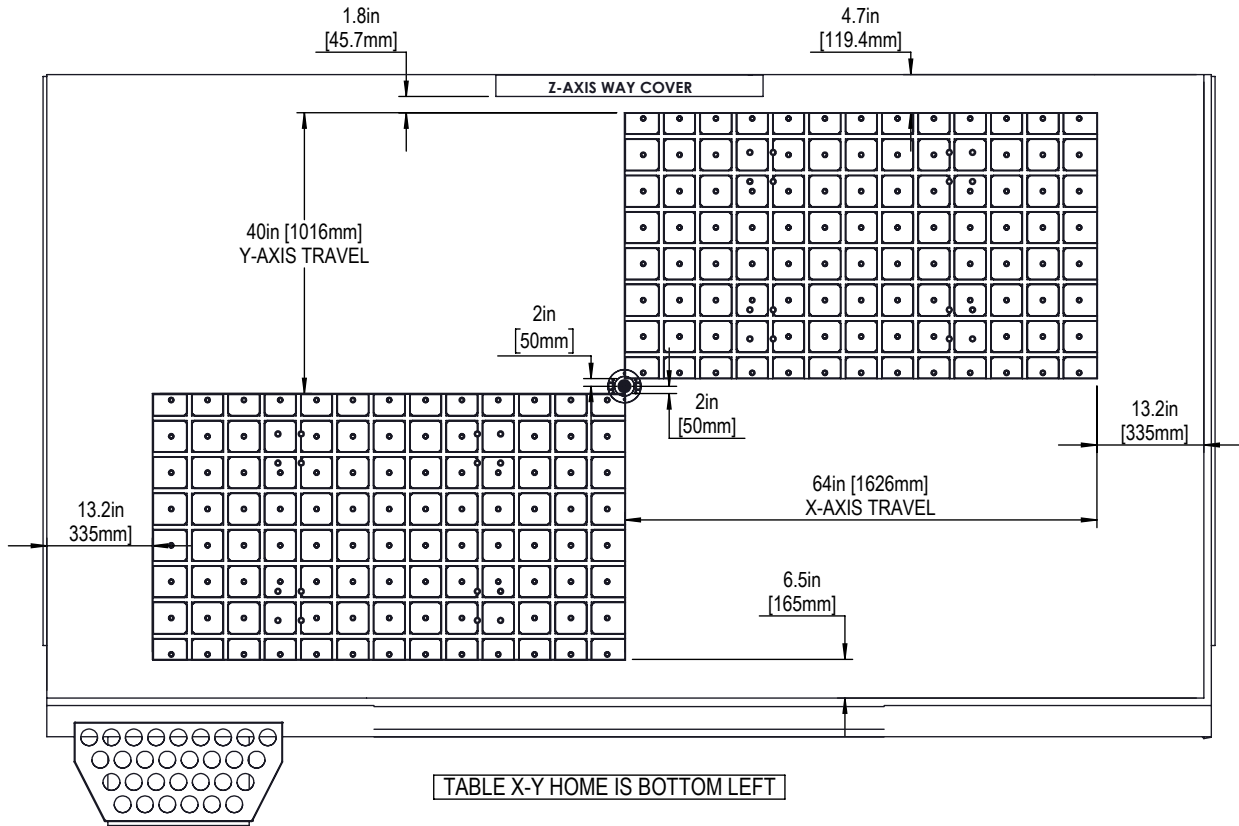
ANCHOR HOLE DETAILS:  
Ø 0.62in [16mm]  
▽ 2in [51mm]  
▽ 2.25in [57mm]



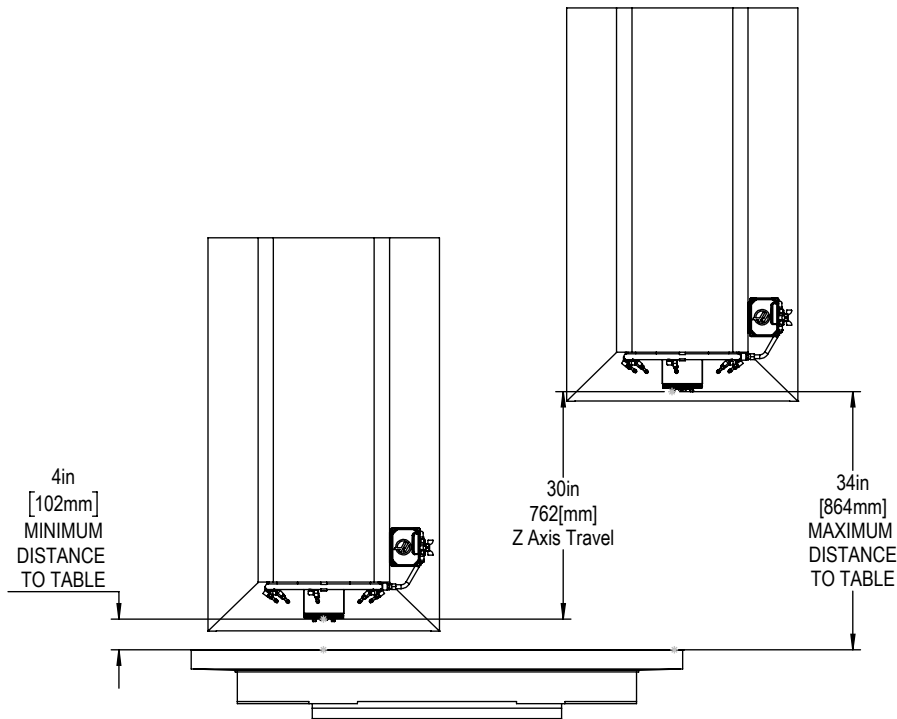
FOR PRECISE DRILLING LOCATIONS PLEASE USE THE TEMPLATE FROM THE MACHINE ANCHORING KIT



X AND Y AXIS TRAVEL & WORK ENVELOPE



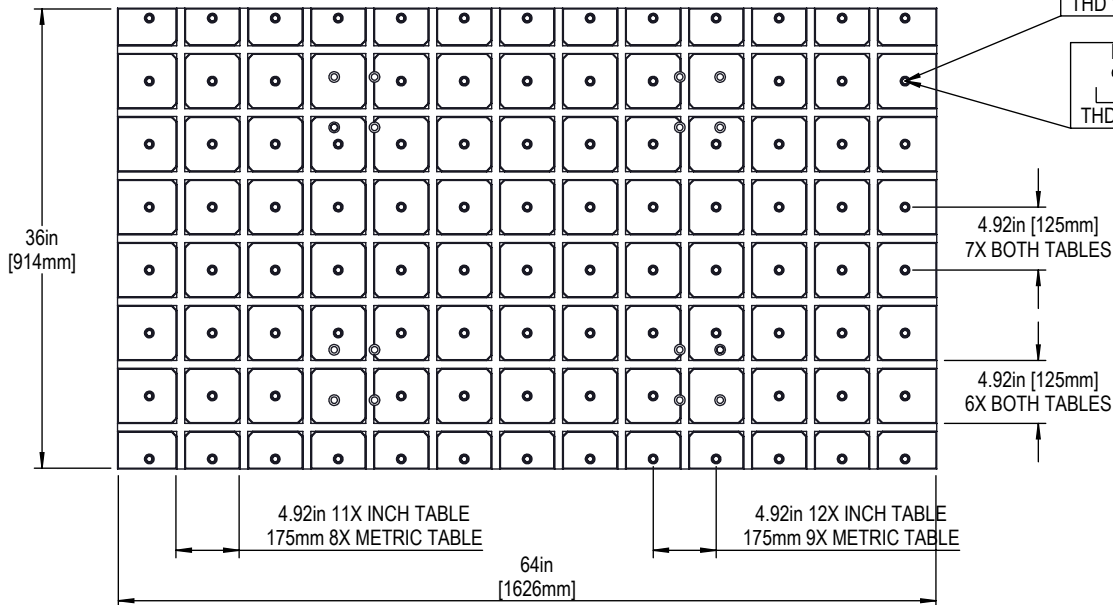
Z AXIS TRAVEL



MACHINE TABLE FRONT VIEW



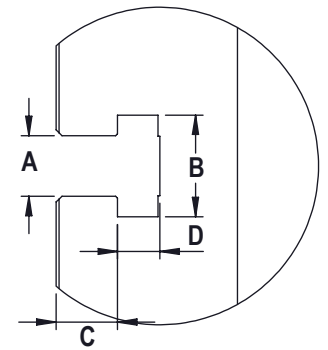
TABLE



INCH TABLE 100X  
 $\varnothing$  0.426in  $\nabla$  1.75in  
 $\perp$   $\varnothing$  0.625in  $\nabla$  0.625in  
 THD 1/2-13 UNC-2B  $\nabla$  1.375in

METRIC TABLE 80X  
 $\varnothing$  10.2mm  $\nabla$  44.4mm  
 $\perp$   $\varnothing$  16mm  $\nabla$  15.9mm  
 THD M12X1.75-6H  $\nabla$  35mm

Slot Size	A	B	C	D
16mm	0.628in	1.06in	0.64in	0.42in
16mm	16mm	27mm	16mm	10.5mm



TOOL CHANGER

