



**SALES AND MARKETING  
UPDATE**



**HMAS**

**August 2025**



# Topics

- Products and Price List
- Video
- Tooling
- Marketing
- Did You Know...

# Products and Price List Update

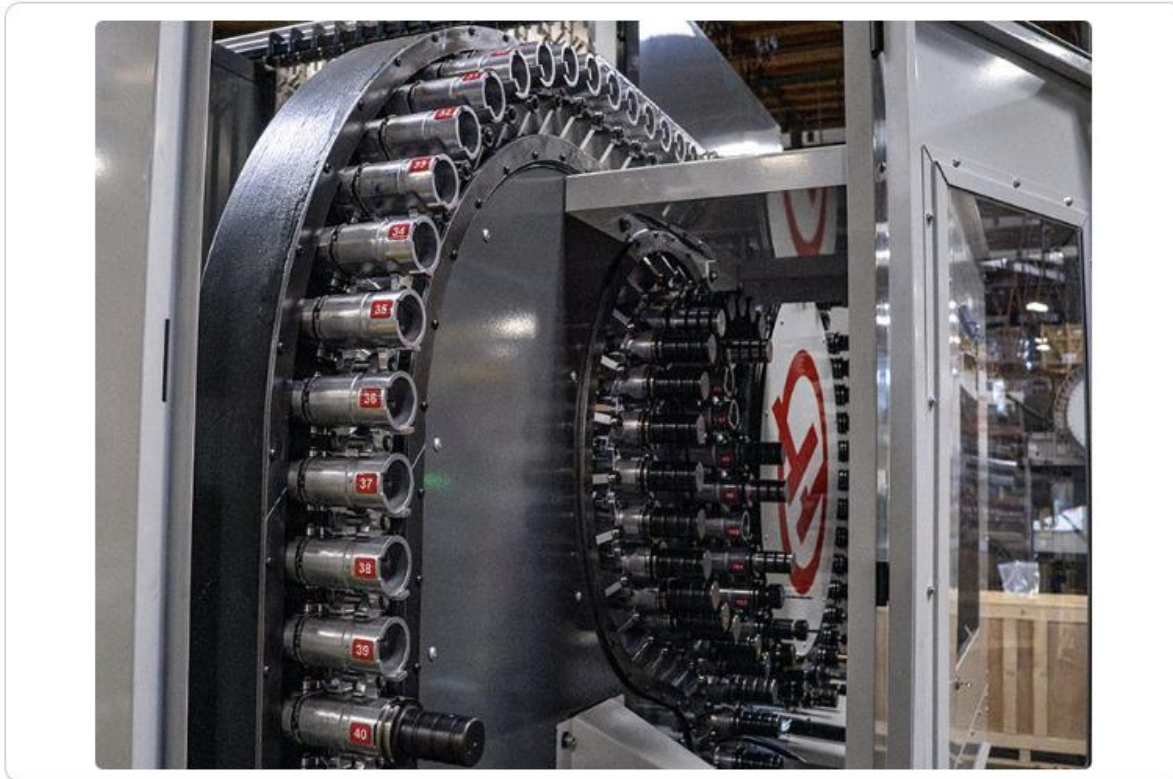
# Products and Price List Update

- SMTC-120 tool changer option added to UMC-500/500SS in all regions
- HAAS BAR FEEDER 12 released in North America
- HQDA5 rotary released in all regions
- On HDC-3, TSC1K and WIPS-R options removed, TSC READY-3RD PARTY and WIPS-RF options added in all regions
- On EC-1600ZT, PALLET-HMC-LG-STD and PALLET-HMC-LG options replaced with MPALLET-HMC-LG-STD which is standard with PALLET POOL-HMC-LG-4
- HSG-2550 has been discontinued in all regions



# Products and Price List Update

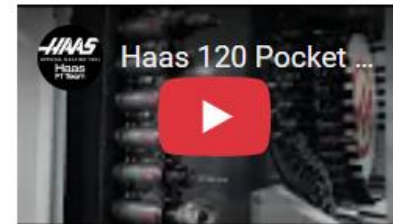
- SMTC-120 tool changer option added to UMC-500/500SS in all regions



## High-Speed 120+1 Side-Mount Tool Changer

Starting Price: **US\$69,995**

### High-production tool changer for UMCs



- Remote load station with automatic lockout
- Bi-directional servo-driven positioning for fast tool staging
- Mounts to the machine's bridge and base for stability
- High-speed tool changes reduce non-cutting time
- Tool Table allows complete control over the tool changer
- Identify tools as LARGE to leave adjacent pockets empty
- Identify tools as HEAVY to slow tool changer motion

120+1  
TOOLS

40  
TAPER

Side-Mount  
TYPE

# Products and Price List Update

- HAAS BAR FEEDER 12 released in North America



## Haas Bar Feeder 12

**Starting Price: US\$29,995**

The Haas Bar Feeder 12 is a hydrodynamic bar feeder designed for continuous processing of bar stock up to 12' (3.6 m) long on Haas ST-10 through ST-30 and DS-20Y through DS-30Y turning centers. It is a high-performance automation solution that provides superior bar support and vibration control for high-speed turning applications.

Built for modern CNC lathe environments, the Haas Bar Feeder 12 uses a hydrodynamic oil bath system to stabilize bars throughout the feeding process – delivering quieter operation, smoother feeding, and improved part finish.

**NOTE: Requires a Haas machine with NGC control and the 8M and Macros options installed. Installation kit not included, and must be purchased through HaasTooling.com.**

**ATTENTION! Requires precision/ground bar stock for proper operation. Not suitable for hot-rolled or cold-rolled bar stock.**

- Handles bars up to 12' (3.6 m) long
- Hydrodynamic oil bath stabilizes bars
- Superior bar support and vibration control
- Installation kits available through HaasTooling.com

**NOTE: The bar feeder ships without hydraulic fluid. Requires 11.75 gal (44 L) of hydraulic fluid, sold separately.**

COMPARE MACHINES

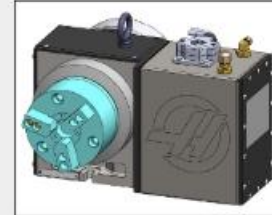
EXPLORE ALL INVENTORY [↗](#)

Currently available in North America only, with estimated delivery Q4, 2025.

# Products and Price List Update

- HQDA5 rotary released in all regions

## AVAILABLE WORKHOLDING OPTIONS



3-jaw Power Chuck



Quick Change Collet



5C, 3J, 16C Collet Chucks



5" Power  
Chuck

H42 Collets

## HQDA5

Starting Price: **US\$17,595**

1  
SPINDLES

A1-5  
PLATTER SIZE

150 ft-lb  
MAX TORQUE

130 °/sec  
MAX SPEED

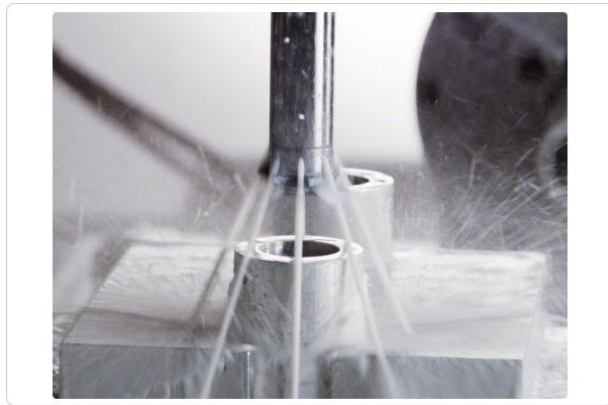
COMPARE MACHINES

EXPLORE ALL INVENTORY [↗](#)



# Products and Price List Update

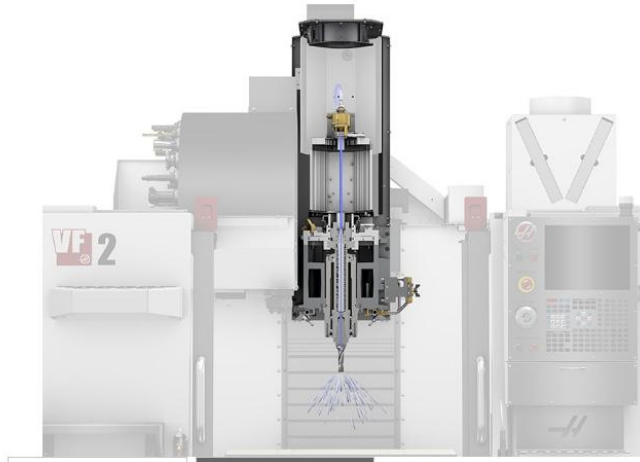
- On HDC-3, TSC1K and WIPS-R options removed, TSC READY-3RD PARTY and WIPS-RF options added in all regions



## ~~Through-Spindle Coolant, 1k~~

~~Starting Price: US\$11,095~~

~~Coolant through the tool, 1000 psi~~



## Through-Spindle Coolant Ready, 3rd Party

Starting Price: US\$4,795

Allows easy field installation of a 3rd-party TSC system



## ~~Wireless Intuitive Probing System~~

~~Starting Price: US\$6,395~~

~~Drastically reduce setup times with this complete probing package~~



Set up your Haas mill up to 5 times faster using the Haas Wireless Intuitive Probing System (WIPS). WIPS is a complete probing package that includes the spindle probe, tool setting probe, and optical machine interface, along with powerful software that guides the operator through the job setup process with intuitive, easy-to-use templates.



## Wireless Intuitive Probing System, RF

Starting Price: US\$7,495

Complete probing package with RF probes

This is the same powerful probing package as our standard Wireless Intuitive Probing System (WIPS), except with radio frequency (RF) machine interface (RMI) and RF probes, eliminating the need for line of sight between the probes and machine interface.

Set up your Haas mill up to 5 times faster using the Haas Wireless Intuitive Probing System (WIPS). WIPS is a complete probing package that includes the spindle probe, tool setting probe, and radio frequency machine interface, along with powerful software that guides the operator through the job setup process with intuitive, easy-to-use templates.



# Products and Price List Update

- On EC-1600ZT, PALLET-HMC-LG-STD and PALLET-HMC-LG options replaced with MPALLET-HMC-LG-STD which is standard with PALLET POOL-HMC-LG-4



## Metric Pallet Kit, EC-1600ZT Pallet Pool

*Standard on some models*

Standard pallet kit with metric hole pattern



## Spare Metric Pallet, EC-1600ZT Pallet Pool

*Starting Price: US\$9,995*

Spare pallet with metric hole pattern

# Products and Price List Update

- HSG-2550 has been discontinued in all regions



## Surface Grinder

**Starting Price: US\$34,995**

The Haas HSG-2550 fully automatic surface grinder provides precision ground surfaces to critical sizes and finishes. Includes a 200 mm diameter x 20 mm wide grinding wheel and a 250 x 500 mm electromagnetic chuck.

- High-speed 3450 rpm spindle
- Automatic X-, Y-, and Z-axis feed
- Rapid Z-axis feed for quick height set up
- Automatic rough, finish, and spark-out cycles are available
- Automatic central lube system

Get Quote

COMPARE MACHINES

EXPLORE INVENTORY [↗](#)

# Video Update

# Video Update

## Recently Released Videos

- New 4+1 Pallet Pool for the Haas EC-1600ZT HMC - Haas Automation, Inc. – <https://www.youtube.com/watch?v=yRCfHK4SKel>
- The New Haas Pocket Mill - Haas Automation, Inc. – [https://www.youtube.com/watch?v=egr1\\_WgDGKw](https://www.youtube.com/watch?v=egr1_WgDGKw)
- Haas UMC-750 + 120-Pocket Tool Changer + Dual Rack Robot Pallet Loader - <https://www.youtube.com/watch?v=xC2YUwhzGog>
- Get a Front Discharge Chip Chute on Your New Haas DT-3 or DM-3 - <https://www.youtube.com/watch?v=hLmyeySZ5yM>
- Use 2025 Section 179 and Crazy Haas Financing to Save Big on Your Next Haas – <https://www.youtube.com/watch?v=mw5eSib7nQ0>
- Haas Automation's New Henderson Nevada Factory - July 2025 Update - [https://www.youtube.com/watch?v=ZIVRJ71t\\_7o](https://www.youtube.com/watch?v=ZIVRJ71t_7o)
- Haas Wireless Phone Charger - Haas Automation, Inc. - <https://www.youtube.com/watch?v=3M22K76Ar3o>
- 8" Air Chuck Kit for the Haas HRT210 Rotary Table - Haas Automation, Inc. - <https://www.youtube.com/watch?v=NuRCmVvPhLI>
- The New SB-28Y Box Way Turning Center from Haas Automation, Inc. - [https://www.youtube.com/watch?v=-\\_zWnlc4zFo](https://www.youtube.com/watch?v=-_zWnlc4zFo)
- Haas VR-9 Trunnion Head Cutting Demo - Haas Automation, Inc. - <https://www.youtube.com/watch?v=xKHD8l1n50o>



# Video Update

## Recently Released Videos

- New 4+1 Pallet Pool for the Haas EC-1600ZT HMC - Haas Automation, Inc. – <https://www.youtube.com/watch?v=yRCfHK4SKel>

### Sizzle Video

- Shows off Pallet Pool
- Large Part Size
- Multi Zone Light Curtain
- Great Intro Video
- Check it out
- Share it as needed



# Video Update

## Recently Released Videos

- The New Haas Pocket Mill - Haas Automation, Inc. – [https://www.youtube.com/watch?v=egr1\\_WgDGKw](https://www.youtube.com/watch?v=egr1_WgDGKw)

### Sizzle Video

- Shows off machine features
- Includes Cutting Footage
- Great Intro Video
- Check it out
- Share it as needed



# Video Update

## Recently Released Videos

- Haas UMC-750 + 120-Pocket Tool Changer + Dual Rack Robot Pallet Loader - <https://www.youtube.com/watch?v=xC2YUwhzGog>

### Sizzle Video

- Shows off SMTC120
- No Chain Tensioning
- “Trolley System”
- Shows off Dual Rack RPL
- Check it out
- Share it as needed



# Video Update

## Recently Released Videos

- Get a Front Discharge Chip Chute on Your New Haas DT-3 or DM-3 - <https://www.youtube.com/watch?v=hLmyeySZ5yM>

### Machine Feature Video

- DT-3 & DM-3
- Compact Installation
- Available soon for other machines
- Check it out
- Share it as needed





# Video Update

## Recently Released Videos

- Use 2025 Section 179 and Crazy Haas Financing to Save Big on Your Next Haas – <https://www.youtube.com/watch?v=mw5eSib7nQ0>

### Sales Video

- Three Reasons to Buy Now
- It's Time...
- Get Customers thinking
- Share it as needed



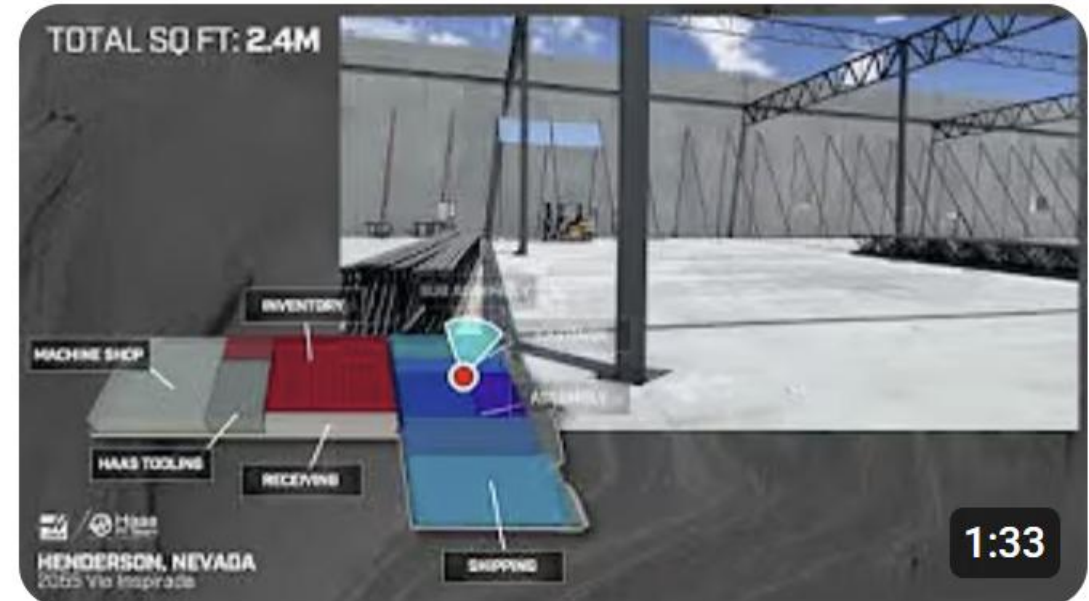
# Video Update

## Recently Released Videos

- Haas Automation's New Henderson Nevada Factory - July 2025 Update - [https://www.youtube.com/watch?v=ZIVRJ71t\\_7o](https://www.youtube.com/watch?v=ZIVRJ71t_7o)

### Henderson Update Video

- Impressive Facility
- Commitment to industry
- Shows off progress
- Check it out & share it!



# Video Update

## Recently Released Videos

- Haas Wireless Phone Charger - Haas Automation, Inc. - <https://www.youtube.com/watch?v=3M22K76Ar3o>

### Cool Feature Video

- Wireless Phone Charger
- Automatically Opens/Closes
- No one else is doing this...
- Check it out!



# Video Update

## Recently Released Videos

- 8" Air Chuck Kit for the Haas HRT210 Rotary Table - Haas Automation, Inc. - <https://www.youtube.com/watch?v=NuRCmVvPhLI>

### Haas Tooling Video

- Informative video
- Air Chuck for HRT210
- 8.5" dia. w/ 1.5" Thru-hole
- Perfect for Automation
- Check it out
- Share it as needed





# Video Update

## Recently Released Videos

- The New SB-28Y Box Way Turning Center from Haas Automation, Inc. - [https://www.youtube.com/watch?v=-\\_zWnlc4zFo](https://www.youtube.com/watch?v=-_zWnlc4zFo)

### Cutting Demo Video

- Turning
- Milling
- Slotting
- Interrupted Cutting in Steel
- Includes Speeds & Feeds
- Check it out!



# Video Update

## Recently Released Videos

- Haas VR-9 Trunnion Head Cutting Demo - Haas Automation, Inc. - <https://www.youtube.com/watch?v=xKHD8I1n50o>

### Cutting Demo Video

- Cutting Aluminum
- Includes Speeds & Feeds
- Drilling & Tapping in Steel
- Indexing & Interpolated Motion
- Check it out!



# Tooling Update



**End of Summer Sale**  
**7500+** HIGH-QUALITY TOOLS AT LOW PRICES

 **FREE**  
NEXT-DAY DELIVERY  
SIGN UP FOR WINNER'S CIRCLE  
**\$10** FOR A YEAR! (~~\$95~~)

## WINNER'S CIRCLE Update

Still On Sale - Only \$10 – 90% off the already reduced price

Over 10,000 Subscriptions and Growing



# Tooling Update, Global Except Europe & China



Keyseat Cutters

38 items



Automated Workholding Kits

16 items



Flexible Honing Brushes

62 items

**+113 Items**



Indexable Antivibration Boring Bars

21 items



Edge & Center Finders

24 items

- Carbide Straight Tooth Keyseat Cutter
- HRT310 100mm vise kit
- Flexible Cylinder Honing Brush
- Anti-Vibration boring bars
- Co-Axial Dial Indicator

**End of Summer Sale**

**3000+** HIGH-QUALITY TOOLS AT LOW PRICES

**FREE** EXPRESS DELIVERY  
SIGN UP FOR WINNER'S CIRCLE  
**€10** FOR A YEAR! (~~€95~~)

## WINNER'S CIRCLE Update

Still On Sale - Only €10 – 90% off the already reduced price

Over 10,000 Subscriptions and Growing

# HAE - Tooling Update



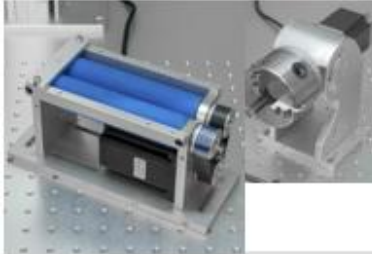
**Coordinate Measuring Machines**

1 items



**End Mill Holders**

47 items



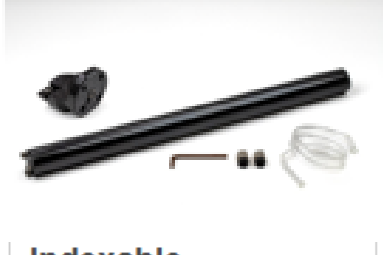
**Laser Marking Machines**

8 items



**Vise Kits**

11 items



**Indexable Antivibration Boring Bars**

21 items



**Machine Accessories**

3 items

**+39 Items**

- Coordinate Measuring Machine
- BT30 6mm End Mill Holder
- Laser Rotary Fixture
- Self-Centering Vise Block Kit
- Anti-Vibration boring bars
- Wireless Phone Charger

# Marketing Update



SECTION 179  
**TAX SAVINGS  
FOR 2025**



**NO PAYMENTS  
UNTIL 2026!**

LEARN MORE

## End of Summer Sale



**7500+**  
HIGH-QUALITY TOOLS  
AT LOW PRICES



**FREE**  
NEXT-DAY DELIVERY  
SIGN UP FOR WINNER'S CIRCLE  
**\$10** FOR A YEAR! (\$95)

SHOP HAAS TOOLING

# Marketing Update



VALUE OPTION PACKAGES  
**A NEW WAY TO SAVE**

SECTION 179  
**TAX SAVINGS FOR 2025**



**NO PAYMENTS UNTIL 2026!**



**STOCK SALE**

**IN STOCK & READY TO SHIP**

**Brand-New Hot Deals, Demo, Pre-Owned Machines, and more!**

**End of Summer Sale**



**7500+**  
HIGH-QUALITY TOOLS  
AT LOW PRICES



**FREE**  
NEXT-DAY DELIVERY  
SIGN UP FOR WINNER'S CIRCLE  
**\$10 FOR A YEAR!** (\$96)





## HOT DEALS

### In-Stock and Ready-to-Ship Machines

Haas Hot Deal Machines are brand-new machines in stock with special pricing. These machines are currently in our inventory, and ready for immediate delivery. All Hot Deal Machines come with a full standard 1-year warranty.

[SEE DEALS](#)



## DEMO & PREOWNED

**Pre-owned Machines** - Most pre-owned machines were used for training new machinists at schools and technical education centers and are sold as-is, with no warranty.

**Demo Machines** - New machines that had limited usage performing test cuts for the purpose of demonstrating the machine capabilities. Sold with a full 1-year warranty.

[VIEW MACHINES](#)



## CANCELED ORDERS

### Brand-New, Custom Configured Machines

**Never Used!**  
Canceled orders, fully inspected, and ready to ship with a standard 1-year warranty. These machines have never been installed, so don't miss out on these custom configured options at unbeatable prices!

[VIEW MACHINES](#)



**Hot Deals – 15% to 30% Off**  
**Demo Machines – 15% to 40% Off**  
**Canceled Orders – 25% to 30% Off**

## Marketing Tools

View Edit Track Devel

\*\*\* All images are clickable \*\*\*



[HAAS TOOLING HOME PAGE](#)

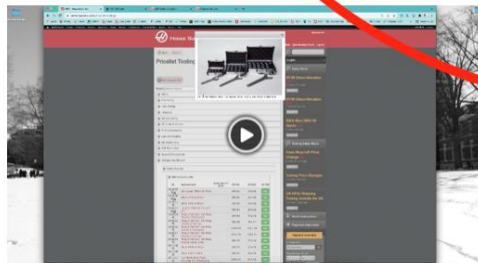
[Haas Tooling Promo page](#)

[How to redeem Online Tooling Promos](#)

[2025 AVAILABLE DIGITAL MARKETING CAMPAIGNS and MODEL GUIDES, PDFs, CATALOGS](#)

\*Check Marketing Campaign page for info about HFO Demo Day.

### Tooling Kits Explained (08/PCK/EK)



## FINANCING RATES \*NEW

CNCA Financing Rates are **Extended to August 31, 2025.**

Available for: US, Canada, HAE (Denmark, Germany, France, Spain, Portugal, Belgium, Luxembourg, Estonia, Latvia, Lithuania, Czech Republic, Slovenia, Slovakia, and Greece)

Date updated: August 1, 2025

### Rates Chart #

Rate Factors for CNCA Promos for USA, Canada, & HAE - August 2025 pb-IN.xlsx  
HFO Bond Discount is 1% of the financed amount

Term	Skip Days	Month						
		12	24	36	48	60	72	84
10%		0.00%	1.00%	2.00%	3.00%	4.40%	4.40%	4.40%
20%		0.00%	0.00%	1.00%	2.40%	3.00%	4.00%	4.00%
25%		0.00%	0.00%	0.00%	1.80%	2.90%	4.40%	4.90%
30%		0.00%	0.00%	0.00%	0.90%	2.40%	3.90%	4.40%
40%					0.00%			
20%	90		1.40%	1.90%	3.40%	4.90%	5.40%	5.90%
30%	180		1.90%	2.40%	3.90%			

Term	RATE FACTORS							
	12	24	36	48	60	72	84	
10%	0.08333	0.04254	0.02077	0.02258	0.01864			
20%	0.08333	0.04210	0.02064	0.02191	0.01842	0.01831	0.01437	
25%	0.08333	0.04167	0.02021	0.02170	0.01787	0.01807	0.01413	
30%	0.08333	0.04167	0.02278	0.02186	0.01778	0.01665	0.01380	
40%				0.02083				
20%	90		0.04243	0.02874	0.02349	0.01903	0.01648	0.01475
30%	180		0.04289	0.02816	0.02295			

RATES CHART

### 2025 CNCA Payment Calculator #

Total Deal \$ 132,842.92	Down Pymt	12-Months	24-Months	36-Months	48-Months	60-Months	72-Months	84-Months
30% Down:	\$ 39,852.87	\$ 9,968.22	\$ 5,876.37	\$ 3,479.48	\$ 2,895.57	\$ 2,225.22		
50% Down:	\$ 66,421.46	\$ 8,842.80	\$ 4,467.41	\$ 3,038.11	\$ 2,324.97	\$ 1,854.63	\$ 1,705.10	\$ 1,524.80
25% Down:	\$ 33,160.73	\$ 8,200.10	\$ 4,145.80	\$ 2,816.18	\$ 2,104.76	\$ 1,787.69	\$ 1,578.78	\$ 1,405.66
30% Down:	\$ 39,702.00	\$ 7,737.50	\$ 3,816.75	\$ 2,578.17	\$ 2,001.85	\$ 1,648.09	\$ 1,433.10	\$ 1,290.82
40% Down:	\$ 53,057.17				\$ 1,658.04			
20% Demo Skip	\$ 26,528.58		\$ 4,162.43	\$ 3,046.73	\$ 2,384.51	\$ 2,039.36	\$ 1,746.83	\$ 1,586.19
30% Demo Skip	\$ 39,792.00		\$ 5,962.34	\$ 3,787.81	\$ 2,192.81			

CNCA PAYMENT CALCULATOR - EXCEL FILE

### Rates PDF for US Customers #

(Updated August 1, 2025)

### Rates PDF for HAE Customers #

(Updated August 1, 2025)



US CUSTOMER FINANCING PDF



HAE Customer Financing PDF



## 2025 AVAILABLE DIGITAL MARKETING CAMPAIGNS + MODEL GUIDES/PDFS/CATALOGS

These campaigns will be running throughout 2025. Email [HFOEmailSupport@haascnc.com](mailto:HFOEmailSupport@haascnc.com) if you want to have Haas email your customer base regarding any of the below campaigns.

### CURRENT LIVE MARKETING CAMPAIGNS

#### NEW Marketing Campaigns added

- **120-Pocket Side-Mount Tool Changer** \*NEW
- **Mill-Spindle C-Axis** \*NEW
- **Knee Mill** \*NEW
- **Box Way Lathe** \*NEW
- **HFL-3015 Fiber Laser** \*NEW
- **DMs/DTs** \*NEW
- **Hot Deals on In-Stock Machines** \*NEW
- **Financing Rates** \*NEW
- **SR-3015 Sheet Router** \*NEW
- **HFO Demo Day** \*NEW
- **DC-Series** \*NEW
- **GM-1 Gantry Mills** \*NEW

#### NEW Sales

- **Flash Sale** \*NEW
- **Hot Deals on In-Stock Machines** \*NEW
- **Value Option Packages (VOP)** \*NEW

#### Ongoing Marketing Campaigns Available

- EU Models *(update coming soon)*
- Mini Mill Redesign
- Rotaries
- Customer Testimonials
- Showroom Machines/Local Inventory
- Energy Savings
- New to CNC
- New to Haas
- Advanced Haas User
- Industry - Aerospace
- Industry - Firearms
- Industry - Medical/Dental
- Haas Makes It Easy
- Why Haas
- First-Time Buyers
- Small Footprint
- Affordable Machines
- Most Popular Machine
- Robot Competition
- Most Popular Machine
- Fully Integrated Pallet Pools
- Why Buy a Robot
- Trade In, Trade Up
- Machine Highlight
- Small VF
- EC-400
- VC-400
- UMC-500
- 50-Taper
- ST-28Y
- VF-2YT Series Pallet Pool

### TOOLING MARKETING CAMPAIGNS

- **Haas Cobot** \*NEW
- Benefits of Haas Tooling
- Haas Workholding by Kurt
- Ready2Run
- Ready2Machine

### PDFS/CATALOGS/MODEL GUIDES

*Available in Multiple Languages*

- **Haas Journal** \*NEW
- **Model Guides** \*NEW
- **Shop Notes** \*NEW
- EU Series PDFs
- Haas Tooling Winner's Circle Introduction Flyer
- Haas Tooling Winner's Circle Letter
- Haas Tooling Winner's Circle Poster
- Haas Tooling 4 Pagers
- Haas Tooling Catalog
- Haas Guide to Automation: Robots
- V-Model PDFs
- Catalog on Haas Automated Systems

### HFO EVENTS

Fill out the survey below to start the process of getting marketing materials created for your event. You must submit the survey a minimum of 2 months before your event. *Date updated: Jan 2025*

EVENT SURVEY

*\*Click here for the Demo Day survey and marketing materials.*

## INSANE FINANCING FOR YOUR NEXT HAAS CNC

DOWN PAYMENT	CHOOSE YOUR TERM						
	12-MONTHS	24-MONTHS	36-MONTHS	48-MONTHS	60-MONTHS	72-MONTHS	84-MONTHS
10% DOWN	0.00%	1.99%	2.99%	3.99%	4.49%	N/A	N/A
20% DOWN	0.00%	0.99%	1.99%	2.49%	3.99%	4.99%	5.49%
25% DOWN	0.00%	0.00%	0.99%	1.99%	2.99%	4.49%	4.99%
30% DOWN	0.00%	0.00%	0.00%	0.99%	2.49%	3.99%	4.49%
40% DOWN	N/A	N/A	N/A	0.00%	N/A	N/A	N/A
20% DOWN + 3-MO SKIP	N/A	1.49%	1.99%	3.49%	4.99%	5.49%	5.99%
30% DOWN + 6-MO SKIP	N/A	1.99%	2.49%	3.99%	N/A	N/A	N/A

[APPLY FOR FINANCING TODAY](#)

\* Financing Terms, Conditions, and Exceptions: References are to an implied interest rate under a conditional sales contract. Interest accrues during the skip period. Down payment, rate, and terms of financing are dependent upon credit approval. Eligible businesses should have three or more years of operation under current ownership. **U.S. and Canada only.** All programs are 10% - 40% down. Must put a minimum of 20% down to get no payments for 3 months. **Certain equipment (e.g., stand-alone Rotaries, Shop Equipment, Bar Feeders, etc.) are subject to different rates, terms, and down-payment requirements, unless financed with a machine.** No prepayment penalty on any program. Not responsible for misprints or typographical errors. Offer valid on new machine orders placed from August 1 through August 31, 2025.

Rate Factors for CNCA Promos for USA, Canada, & HAE - August 2025 pb JM .xlsx

HFO Blind Discount is 1% of the financed amount

Effective August 1, 2025		Changed from June 2025						
Term	Skip Days	Months						
		12	24	36	48	60	72	84
10%		0.00%	1.99%	2.99%	3.99%	4.49%		
20%		0.00%	0.99%	1.99%	2.49%	3.99%	4.99%	5.49%
25%		0.00%	0.00%	0.99%	1.99%	2.99%	4.49%	4.99%
30%		0.00%	0.00%	0.00%	0.99%	2.49%	3.99%	4.49%
40%					0.00%			
20%	90		1.49%	1.99%	3.49%	4.99%	5.49%	5.99%
30%	180		1.99%	2.49%	3.99%			

Term	Skip Days	RATE FACTORS						
		12	24	36	48	60	72	84
10%		0.08333	0.04254	0.02077	0.02258	0.01864		
20%		0.08333	0.04210	0.02864	0.02191	0.01842	0.01611	0.01437
25%		0.08333	0.04167	0.02821	0.02170	0.01797	0.01587	0.01413
30%		0.08333	0.04167	0.02778	0.02156	0.01775	0.01565	0.01390
40%					0.02083			
20%	90		0.04243	0.02874	0.02249	0.01903	0.01649	0.01475
30%	180		0.04289	0.02916	0.02295			

# Marketing Update

<b>\$ Total Deal</b>									
\$	85,327.00								
	<b>Down Pymt</b>	<b>12- Months</b>	<b>24-Months</b>	<b>36-Months</b>	<b>48-Months</b>	<b>60-Months</b>	<b>72-Months</b>	<b>84-Months</b>	
<b>10% Down</b>	\$ 8,532.70	\$ 6,399.53	\$ 3,266.83	\$ 1,595.02	\$ 1,734.02	\$ 1,431.45			
<b>20% Down</b>	\$ 17,065.40	\$ 5,688.47	\$ 2,873.81	\$ 1,955.01	\$ 1,495.61	\$ 1,257.38	\$ 1,099.69	\$ 981	
<b>25% Down</b>	\$ 21,331.75	\$ 5,332.94	\$ 2,666.47	\$ 1,805.31	\$ 1,388.70	\$ 1,149.99	\$ 1,015.60	\$ 904	
<b>30 % Down</b>	\$ 25,598.10	\$ 4,977.41	\$ 2,488.70	\$ 1,659.14	\$ 1,287.76	\$ 1,060.19	\$ 934.76	\$ 830	
<b>40% Down</b>	\$ 34,130.80				\$ 1,066.59				
<b>20%+3mo Skip</b>	\$ 17,065.40		\$ 2,896.34	\$ 1,961.84	\$ 1,535.20	\$ 1,299.02	\$ 1,125.63	\$ 1,007	
<b>30%+6mo Skip</b>	\$ 25,598.10		\$ 2,561.77	\$ 1,741.69	\$ 1,370.78				
<b>€ Total Deal</b>									
€	85,327.00								
	<b>Down Pymt</b>	<b>12- Months</b>	<b>24-Months</b>	<b>36-Months</b>	<b>48-Months</b>	<b>60-Months</b>	<b>72-Months</b>	<b>84-Months</b>	
<b>10% Down</b>	€ 8,532.70	€ 6,399.53	€ 3,266.83	€ 1,595.02	€ 1,734.02	€ 1,431.45			
<b>20% Down</b>	€ 17,065.40	€ 5,688.47	€ 2,873.81	€ 1,955.01	€ 1,495.61	€ 1,257.38	€ 1,099.69	€ 980.9	
<b>25% Down</b>	€ 21,331.75	€ 5,332.94	€ 2,666.47	€ 1,805.31	€ 1,388.70	€ 1,149.99	€ 1,015.60	€ 904.3	
<b>30 % Down</b>	€ 25,598.10	€ 4,977.41	€ 2,488.70	€ 1,659.14	€ 1,287.76	€ 1,060.19	€ 934.76	€ 830.2	
<b>40% Down</b>	€ 34,130.80				€ 1,066.59				
<b>20%+3mo Skip</b>	€ 17,065.40		€ 2,896.34	€ 1,961.84	€ 1,535.20	€ 1,299.02	€ 1,125.63	€ 1,006.9	
<b>30%+6mo Skip</b>	€ 25,598.10		€ 2,561.77	€ 1,741.69	€ 1,370.78				

VALUE OPTION PACKAGES

PROMOTIONS

NEW PRODUCTS

GENERAL & MACHINE

TOOLING

PDFS AND BROCHURES

## NEW PRODUCT MARKETING CAMPAIGNS

- ✓ Pocket Mill
- ✓ DS Lathe Series
- ✓ Band Saw
- ✓ Air Compressor
- ✓ Laser Marker
- ✓ CMM
- ✓ Surface Grinder
- ✓ 120-Pocket Side-Mount Tool Changer
- ✓ Mill-Spindle C-Axis
- ✓ Knee Mill
- ✓ UMC-400/SS
- ✓ DMs/DTs
- ✓ TL-P
- ✓ ST-40 Updates (short/long/Y-axis)
- ✓ EC-1600ZT + 4+1 Pallet Pool
- ✓ DC Series
- ✓ SB Series
- ✓ SR-3015 and SR-3015P Sheet Router
- ✓ Robotic Pallet Loader
- ✓ Mini Max
- ✓ HFL-3015 Fiber Laser
- ✓ GM-1 Series

**\*More New Machines Coming Soon!**



## INSANE FINANCING FOR YOUR NEXT HAAS CNC

DOWN PAYMENT	CHOOSE YOUR TERM						
	12-MONTHS	24-MONTHS	36-MONTHS	48-MONTHS	60-MONTHS	72-MONTHS	84-MONTHS
10% DOWN	0.00%	1.99%	2.99%	3.99%	4.49%	N/A	N/A
20% DOWN	0.00%	0.99%	1.99%	2.49%	3.99%	4.99%	5.49%
25% DOWN	0.00%	0.00%	0.99%	1.99%	2.99%	4.49%	4.99%
30% DOWN	0.00%	0.00%	0.00%	0.99%	2.49%	3.99%	4.49%
40% DOWN	N/A	N/A	N/A	0.00%	N/A	N/A	N/A
20% DOWN + 3-MO SKIP	N/A	1.49%	1.99%	3.49%	4.99%	5.49%	5.99%
30% DOWN + 6-MO SKIP	N/A	1.99%	2.49%	3.99%	N/A	N/A	N/A

APPLY FOR FINANCING TODAY

\* Financing Terms, Conditions, and Exceptions: References are to an implied interest rate under a conditional sales contract. Interest accrues during the skip period. Down payment, rate, and terms of financing are dependent upon credit approval. Eligible businesses should have three or more years of operation under current ownership. U.S. and Canada only. All programs are 10% - 40% down. Must put a minimum of 20% down to get no payments for 3 months. Certain equipment (e.g., stand-alone Rotaries, Shop Equipment, Bar Feeders, etc.) are subject to different rates, terms, and down-payment requirements, unless financed with a machine. No prepayment penalty on any program. Not responsible for misprints or typographical errors. Offer valid on new machine orders placed from August 1 through August 31, 2025.

## Summer Machine Sale!

UP TO

# -25%



[LEARN MORE](#)

## End of Summer Sale



**3000+**  
HIGH-QUALITY TOOLS  
AT LOW PRICES



**FREE**  
EXPRESS DELIVERY  
SIGN UP FOR WINNER'S CIRCLE  
**€10** FOR A YEAR! (~~€95~~)

[SHOP HAAS TOOLING](#)

Machines Configured Exclusively for Europe

## EU SERIES: UP TO 34% OFF

MORE CHOICES, MORE VALUE - JUST FOR EUROPE

[LEARN MORE](#)



# HAE Marketing Update

Summer  
Machine Sale!

UP TO  
**-25%**

HAAS

This advertisement features a blue and yellow background with a large '-25%' discount graphic. Below the discount, there are images of several Haas machine tools. The Haas logo is positioned at the bottom center.

**STOCK SALE**

IN STOCK & READY TO SHIP

Brand-New Hot Deals, Demo,  
Pre-Owned Machines, and more!

The advertisement has a white background with a grey wireframe pattern of machine tools. A red price tag icon with a percentage sign is on the left. The text 'STOCK SALE' is in large red letters, and 'IN STOCK & READY TO SHIP' is in a red banner. Below that, the text 'Brand-New Hot Deals, Demo, Pre-Owned Machines, and more!' is in black.

End of  
Summer  
Sale

3000+  
HIGH-QUALITY TOOLS  
AT LOW PRICES

TOOLING.com

FREE  
EXPRESS DELIVERY  
SIGN UP FOR WINNER'S CIRCLE  
€10 FOR A YEAR! (€95)

This advertisement features a pair of black sunglasses with a reflection of various tools. The text 'End of Summer Sale' is in yellow. Below the sunglasses, it says '3000+ HIGH-QUALITY TOOLS AT LOW PRICES'. To the right, there is a red arrow pointing to 'TOOLING.com' and 'FREE EXPRESS DELIVERY SIGN UP FOR WINNER'S CIRCLE €10 FOR A YEAR! (€95)'. The Haas logo is also present.

**EU-SERIES**

Haas Lathes & Vertical Mills.  
More Choices. More Value.

The advertisement shows a large Haas machine tool, likely a lathe or vertical mill, in a dark setting with red floor lights. The text 'EU-SERIES' is in large white letters at the top. Below it, the text 'Haas Lathes & Vertical Mills. More Choices. More Value.' is in white.

# HAE Marketing Update

- Haas Automation -

## STOCK SALE

### HOT DEALS

#### In-Stock and Ready-to-Ship Machines

Haas Hot Deal Machines are brand-new machines in stock with special pricing. These machines are currently in our inventory, and ready for immediate delivery. All Hot Deal Machines come with a full standard 1-year warranty.

SEE DEALS



### DEMO & PREOWNED

**Pre-owned Machines** – Most pre-owned machines were used for training new machinists at schools and technical education centers and are sold as-is, with no warranty.

**Demo Machines** – New machines that had limited usage performing test cuts for the purpose of demonstrating the machine capabilities. Sold with a full 1-year warranty.

VIEW MACHINES



### CANCELED ORDERS

#### Brand-New, Custom Configured Machines

#### Never Used!

Canceled orders, fully inspected, and ready to ship with a standard 1-year warranty. These machines have never been installed, so don't miss out on these custom configured options at unbeatable prices!

VIEW MACHINES



**Hot Deals @ % to % Off!**

**Demo Machines @ 15% to 40% Off!**

**Canceled Orders @ 15% to 40% Off!**



# HAE Marketing Update

## CHOOSE YOUR FINANCING

**NO MODEL  
RESTRICTIONS**

**UP TO 6-MONTH SKIP  
AVAILABLE**

**NO PRE-PAYMENT  
PENALTIES EVER!**

LOWEST DOWN PAYMENT  
**10% DOWN**

4,49% Interest for as Long as 60-Months.

Payments as Low as  
**€1.678 PER MONTH**

LOWEST INTEREST  
**0% FOR 48 MONTHS**

Requires Larger Down Payment.

Payments as Low as  
**€1.250 PER MONTH**

LONGEST TERM  
**84-MONTH TERM**

With Rates as Low as 4,49%\*

Payments as Low as  
**€973 PER MONTH**

Sample payments are based on a €100.000 CNC machine purchase.

**SAVE €8.429 IN INTEREST!**

(Based on 0,00% for 48 months, compared to lenders with similar terms at 6,66% interest.)

## INSANE FINANCING FOR YOUR NEXT HAAS CNC

DOWN PAYMENT	CHOOSE YOUR TERM						
	12-MONTHS	24-MONTHS	36-MONTHS	48-MONTHS	60-MONTHS	72-MONTHS	84-MONTHS
10% DOWN	0,00%	1,99%	2,99%	3,99%	4,49%	N/A	N/A
20% DOWN	0,00%	0,99%	1,99%	2,49%	3,99%	4,99%	5,49%
25% DOWN	0,00%	0,00%	0,99%	1,99%	2,99%	4,49%	4,99%
30% DOWN	0,00%	0,00%	0,00%	0,99%	2,49%	3,99%	4,49%
40% DOWN	N/A	N/A	N/A	0,00%	N/A	N/A	N/A
20% DOWN + 3-MO SKIP	N/A	1,49%	1,99%	3,49%	4,99%	5,49%	5,99%
30% DOWN + 6-MO SKIP	N/A	1,99%	2,49%	3,99%	N/A	N/A	N/A

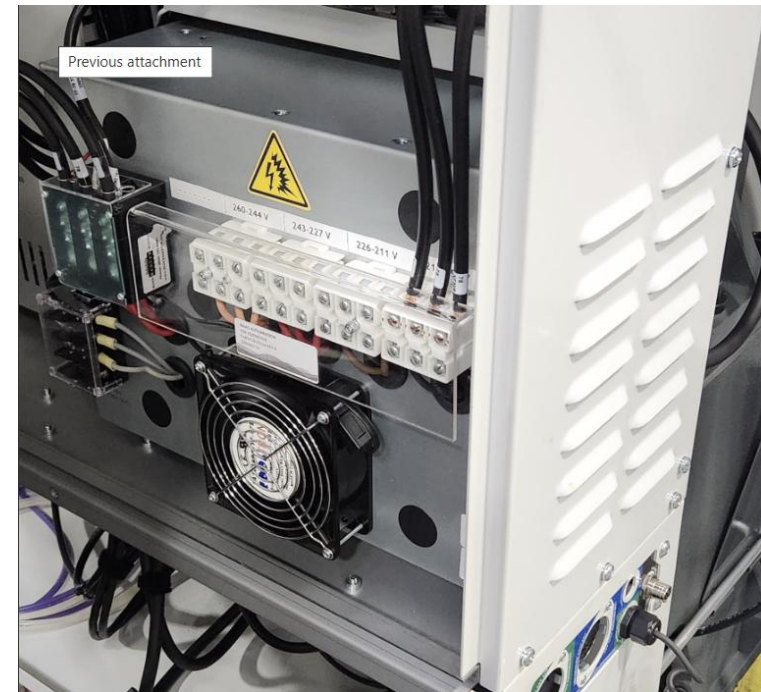
*\*Financing terms, conditions, and exceptions: valid in Denmark, Germany, France, Spain, Portugal, Belgium, Luxembourg, Estonia, Latvia, Lithuania, Czech Republic, Slovenia, Slovakia, and Greece only. References are to an implied interest rate under a conditional sales contract. Interest accrues during the skip period. Down payment, rate, and terms of financing are dependent upon credit approval. Eligible businesses should have three or more years of operation under current ownership. All programs are 10% - 40% down. Must put a minimum of 20% down to get no payments for 3 months. **Certain equipment (e.g., stand-alone Rotaries, Shop Equipment, Bar Feeders, etc.) are subject to different rates, terms, and down-payment requirements, unless financed with a machine.** No prepayment penalty on any program.*

*Offer valid on new machine orders placed from 1 August through 31 August 2025.*

# Did You Know...

# Did You Know...

## Power Transformer Louvered Vents





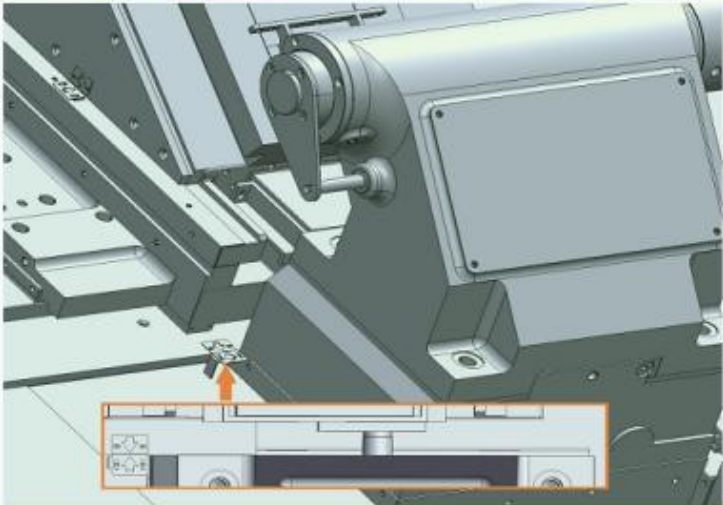
## SB-28Y Tailstock Functions

- M321 (P)
  - Tailstock engage and position
- M322
  - Engaging and parking the tailstock back home
- M21
  - Quill forward
- M22
  - Quill retract

Current Commands

Devices Timers Macro Vars Active Codes Tools Plane Calculator Media

Mechanisms Tailstock



- F2 Tailstock Position Recovery
- F3 Engage Tailstock
- F4 Extend Quill
- INSERT Extend Shotpin

Setting	Name	Value
448	Tailstock Engagement Tool Number	7
446	Tailstock Engagement X Position	0.0000
447	Tailstock Engagement Y Position	0.0000
341	Tailstock Rapid Position	-5.0000
105	Tailstock Retract Distance	2.0000
145	Tailstock At Part For Cyclestart	Off
322	Foot Pedal Tailstock Alarm	Off
332	Tailstock Foot Pedal Lockout	Off
	Tailstock Position Tracking	Known

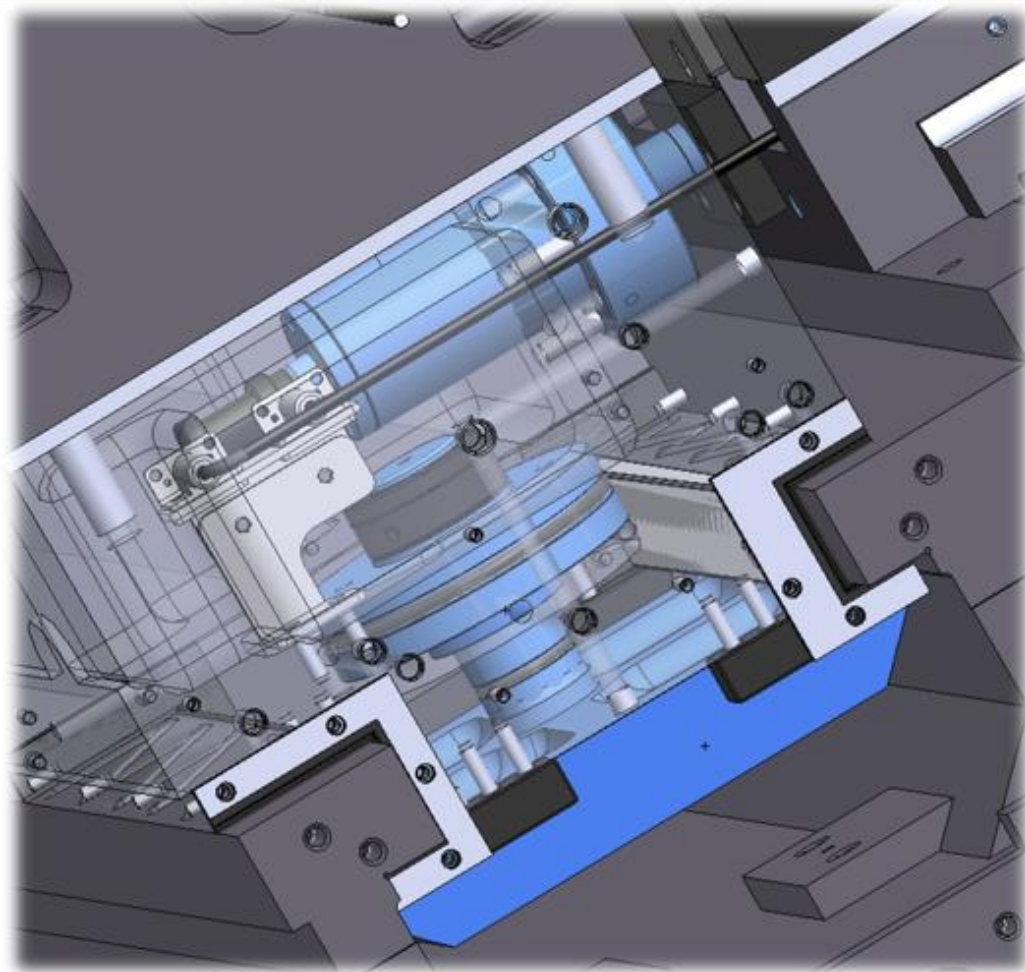
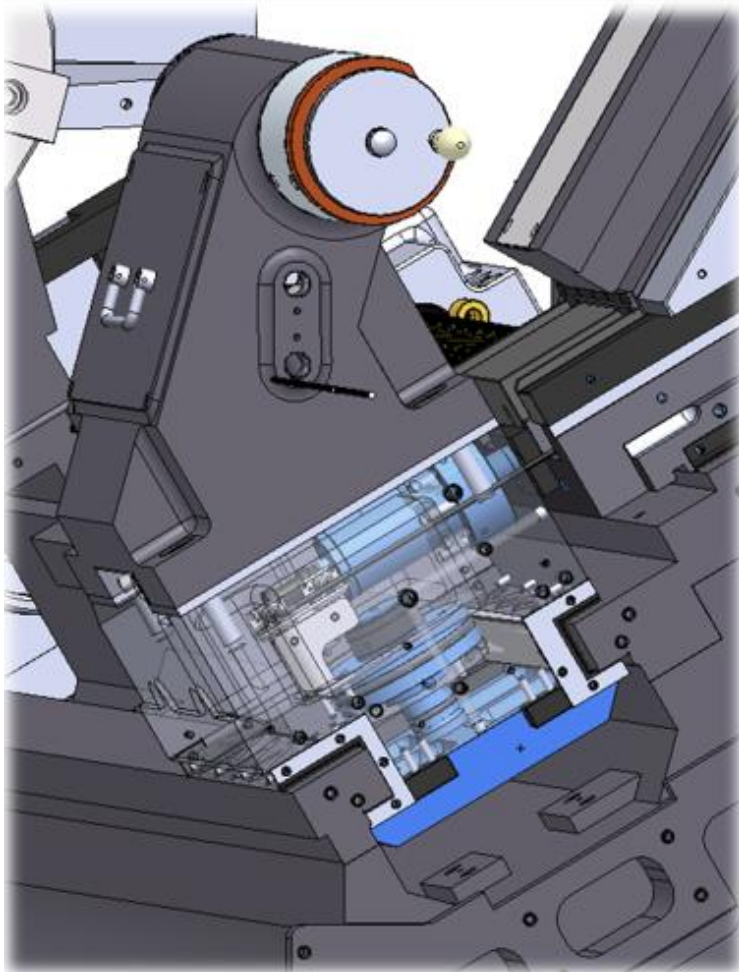
## SB-28Y Tailstock Functions





# Did You Know...

## SB-28Y Tailstock Functions



- Factory Training Dates for 2025
  - December 3/4

Please email Scott Gasich directly with any names, email addresses and job functions for those who will be attending





**THANK YOU!**  
**FOR ALL YOUR EFFORTS**



**HMAS**

