



**SALES AND MARKETING
UPDATE**



HMAS

June 2025



- Products and Price List
- Video
- Tooling
- Marketing
- Did You Know...

Products and Price List Update

Products and Price List Update

- The redesign of the ST-40L/45L is released in all regions
- New AUGER-FRNT DISCHARGE and AUGER-SIDE DISCHARGE options have replaced the AUGER option on DT-3 and DM-3 in all regions
- VOP packages are now released in all regions except Europe and China
- AIR-OIL BLAST is now standard on SR-3015P and SR-4020P in all regions
- ROBOT PKG-3 and ROBOT PKG-50KG have been discontinued and are no longer available in all regions
- The MILL SPDL C-AXIS option has been removed from the GM-2 in all regions

Products and Price List Update

- The redesign of the ST-40L/45L is released in all regions



ST-40L

Starting Price: US\$216,995

The Haas ST Series high-performance turning centers were designed from the ground up to provide setup flexibility, extreme rigidity, and high thermal stability.

The ST-40L is a large-frame, long-bed lathe with a generous work envelope. This machine offers the best performance for the money – the best value – in its class.

- Extra-long work envelope
- Fully programmable servo tailstock
- Powerful spindle and hydraulic chucking system

Current Lead Time [↗](#)
 4 Weeks - Contact your local HFO for delivery times.

15" CHUCK SIZE / 4.0" BAR CAPACITY / 2.4k RPM / 40 hp POWER

Bar Capacity w/ Opt. Workholding



ST-45L

Starting Price: US\$244,995

The Haas ST Series high-performance turning centers were designed from the ground up to provide setup flexibility, extreme rigidity, and high thermal stability. The ST-45L is a long-bed, big-bore lathe with a generous work envelope. This machine offers the best performance for the money – the best value – in its class.

- Extra-long work envelope
- Fully programmable servo tailstock
- 12-station bolt-on turret with hydraulic clamping
- Large spindle nose and spindle bore

Current Lead Time [↗](#)
 4 Weeks - Contact your local HFO for delivery times.

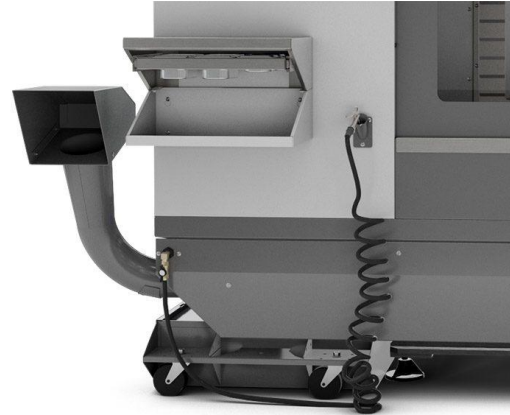
18" (opt) CHUCK SIZE / 7.0" BAR CAPACITY / 1.4k RPM / 40 hp POWER

6.50 in

165 mm

Products and Price List Update

- New AUGER-FRNT DISCHARGE and AUGER-SIDE DISCHARGE options have replaced the AUGER option on DT-3 and DM-3 in all regions



Products and Price List Update

- VOP packages are now released in all regions except Europe and China

VALUE OPTION PACKAGES

<p>VOP A - BASIC PACKAGE US\$117/mo DETAILS > SALE US\$6,995 US\$7,995</p>	<p>VOP B - PRODUCTIVITY PACKAGE US\$218/mo DETAILS > SALE US\$12,995 US\$15,995</p>
<p>VOP C - 4TH-AXIS PACKAGE US\$335/mo DETAILS > SALE US\$19,995 US\$24,995</p>	<p>VOP D - THROUGH-SPINDLE COOLANT PACKAGE US\$470/mo DETAILS > SALE US\$27,995 US\$34,995</p>
<p>VOP E - 5TH-AXIS PACKAGE US\$621/mo DETAILS > SALE US\$36,995 US\$45,995</p>	



VF-2	BASIC A	PRODUCTIVITY B	4TH AXIS C	TSC D	5TH AXIS E
A	✓	✓	✓	✓	✓
B		✓	✓	✓	✓
C			✓	✓	✓
D				✓	✓
E					✓
MACHINE BASE PRICE:	\$66,995	\$66,995	\$66,995	\$66,995	\$66,995
OPTIONS RETAIL PRICE:	\$9,180	\$19,470	\$40,940	\$55,620	\$76,100
VOP DISCOUNT:	-\$2,185	-\$6,475	-\$15,945	-\$23,625	-\$36,015
OPTIONS WITH VOP DISCOUNT:	\$6,995	\$12,995	\$24,995	\$31,995	\$39,995
VF-2 + VOP:	\$73,990	\$79,990	\$91,990	\$98,990	\$106,990

Value Option Packages - Quoting and Ordering

View published | New draft | Moderate | Track | Devel

Submitted by mpowell on Thu, 2025-05-29 16:56

The attached file explains the process to quote and order Value Option Packages (VOPs) in HST and also explains how customers will view and quote VOPs on haascnc.com.

The below link contains a video recording of a meeting with HFOs explaining the process to quote and order VOPs.

VOP Quoting and Ordering Meeting Recording

Attachment: [vop_packages-quoting_and_ordering_05-2025.pdf](#)

English

Popups History

Sales News

June 2025 Price Lists Posted
5 days 2 hours ago
READ MORE >

Value Option Packages - Quoting and Ordering
1 week 3 days ago

Products and Price List Update

- AIR-OIL BLAST is now standard on SR-3015P and SR-4020P in all regions



Air-Oil Blast, SR-P Series

Standard on some models

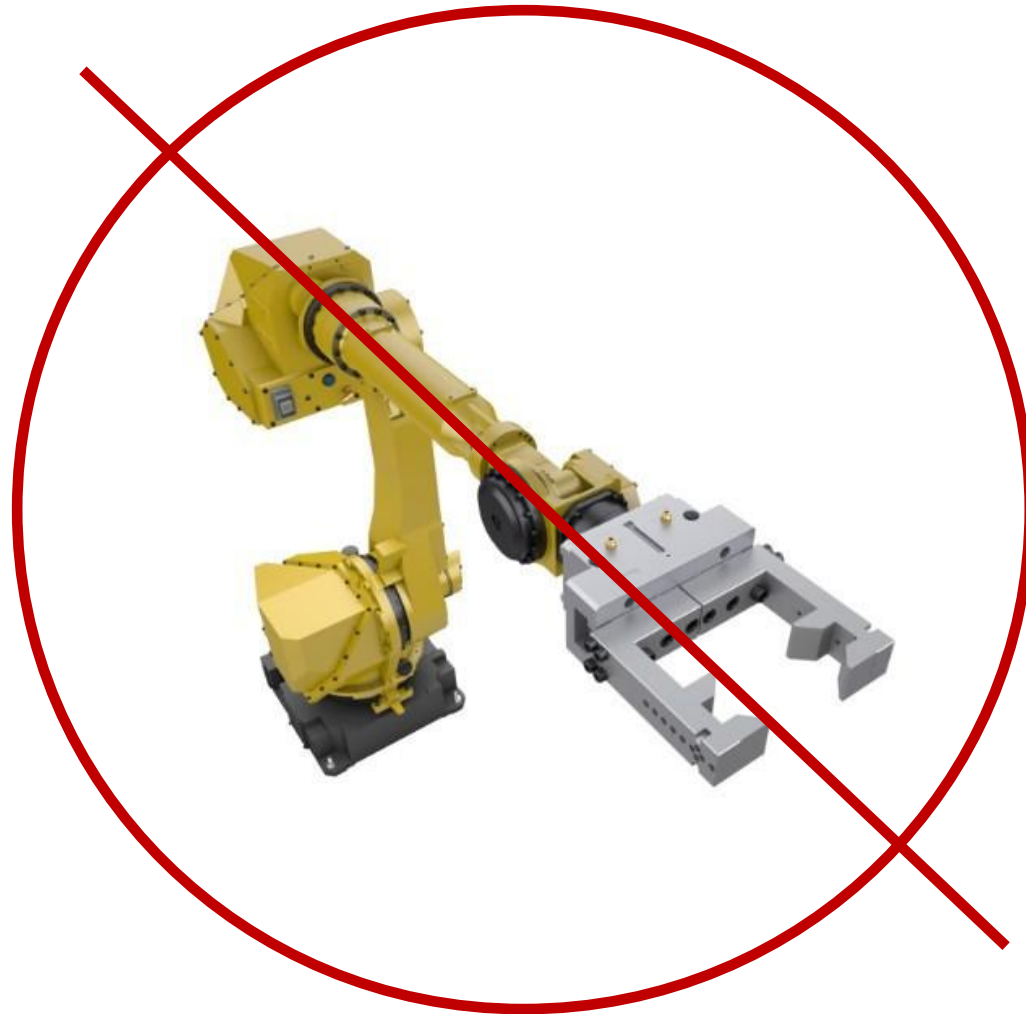
Delivers oil mist to the cutting tool

This Air-Oil Blast for the SR Series P models delivers a steady blast of compressed air and a small quantity of cutting oil to provide lubrication, reduce heat, and remove chips. This extends tool life, improves surface finish, and eliminates the need for coolant when cutting metallic materials. The air-oil blast is activated via M-codes in the program, or manually from the control pendant. The mixture is adjusted manually via knobs on the air-oil manifold, and delivered through a flex line that can be directed at the cutting tool.

- Provides lubrication when machining metals
- Activated via M-codes, or manually from the control pendant
- Mixture is manually controlled at the air/oil manifold
- Adjustable flex line to deliver air/oil mixture to the cutting edge

Products and Price List Update

- ROBOT PKG-3 and ROBOT PKG-50KG have been discontinued and are no longer available in all regions



Products and Price List Update

- The MILL SPDL C-AXIS option has been removed from the GM-2 in all regions



GM-2



Video Update

Video Update

Recently Released Videos

- Haas has Three Tool Presetters Now! Which One is Right for My Shop? Haas Automation, Inc. - <https://www.youtube.com/watch?v=0yfCb50gyjM>
- Haas Mill Spindle C-Axis Drive - Add Accurate 360-Degree Positioning to Your Right Angle Head - <https://www.youtube.com/watch?v=vuNoQ6uWGyl>
- Angle Plates Give You Options for Clamping Difficult Jobs - Haas Automation, Inc. - https://www.youtube.com/watch?v=rmFdi_13s6s
- Where Do My Probe Offsets Come From? Probing Offset Theory - Haas Automation Tip of the Day - <https://www.youtube.com/watch?v=M7PYDDhaYxc>
- Haas Fixed-Speed and Variable-Speed Rotary Screw Air Compressors - Haas Automation, Inc. - https://www.youtube.com/watch?v=_XVnfqtC534
- The New GM-1 Gantry Mill from Haas Automation - <https://www.youtube.com/watch?v=DaM8XVueQLY>

Video Update

Recently Released Videos

- Haas has Three Tool Presetters Now! Which One is Right for My Shop? Haas Automation, Inc. - <https://www.youtube.com/watch?v=0yfCb50gyjM>

Haas Tooling Video

- Informative video
- 3 Different Models
- Benefits of using...
- Time is money
- Check it out
- Share it as needed



Video Update

Recently Released Videos

- Haas Mill Spindle C-Axis Drive - Add Accurate 360-Degree Positioning to Your Right Angle Head - <https://www.youtube.com/watch?v=vuNoQ6uWGyl>

Mill Option Video

- Cool video
- Shows effectiveness...
- ID/OD usage
- Drilling/Tapping/Milling
- Check it out
- Share it as needed



Video Update

Recently Released Videos

- Angle Plates Give You Options for Clamping Difficult Jobs - Haas Automation, Inc. - https://www.youtube.com/watch?v=rmFdi_13s6s

Haas Tooling Video

- Various Angle Plates
- Shows typical usage
- Check it out
- Share it as needed



Video Update

Recently Released Videos

- Where Do My Probe Offsets Come From? Probing Offset Theory - Haas Automation Tip of the Day - <https://www.youtube.com/watch?v=M7PYDDhaYxc>

Haas Tip of the Day Video

- Offsets – Tool & Work
- How they work together
- Great Instructional Video
- Very Informative
- Check it out
- Share it as needed



Video Update

Recently Released Videos

- Haas Fixed-Speed and Variable-Speed Rotary Screw Air Compressors - Haas Automation, Inc. - https://www.youtube.com/watch?v=_XVnfqtC534

Haas Tooling Video

- Rotary Screw Compressors
- Shows features of each
- Check it out
- Share it as needed



Video Update

Recently Released Videos

- The New GM-1 Gantry Mill from Haas Automation - <https://www.youtube.com/watch?v=DaM8XVueQLY>

Haas Machine Video

- New GM-1
- Shows off Enhanced Features
 - SMTC
 - More Powerful Spindle
 - Chip Augers
- Check it out! - Share it



Tooling Update



WINNER'S CIRCLE Update

Still On Sale - Only \$10 – 90% off the already reduced price

Over 10,000 Subscriptions and Growing

Tooling Update, Global Except Europe & China



Fixture Clamps & Rails

92 items



Spindle Reduction Sleeves / Liners

65 items



Broaching Inserts

111 items

+65 Items



Rotary Tool Holder & Tool Chuck Kits

72 items



Spindle & Toolholder Taper Cleaners

22 items

TalonGrip & VersaGrip Fixture Clamps
New Spindle Liners
Synchronous Pulley Insert (Broaching Inserts)
Desktop Mill Metric Tooling Starter Kit
Spindle Taper Cleaner Replacement Parts



WINNER'S CIRCLE Update

Still On Sale - Only €10 – 90% off the already reduced price

Over 10,000 Subscriptions and Growing

HAE - Tooling Update



Layout Tools

7 items



Rotary Vise Kits

3 items



Spindle Reduction
Sleeves / Liners

39 items

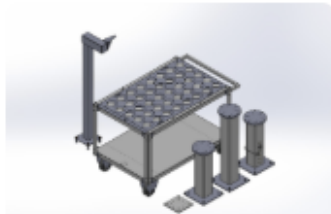
+63 Items

- Paint Pens
- 3-Jaw Air Chuck Rotary Kit
- New Spindle Liner & Kits
- Synchronous Pulley Insert (Broaching Inserts)
- Cobot Accessories
- BT40 ER16M Collet Chuck



Broaching Inserts

74 items



Robot Cell
Accessories

16 items



ER Collet Chucks

61 items

Marketing Update



WOP
VALUE OPTION PACKAGES
A NEW WAY TO SAVE

LEARN MORE

The advertisement features the large letters 'WOP' where the 'O' is a circular inset image showing a person's hands using a handheld device on a machine. Below the main text is a red button with the text 'LEARN MORE'.



HUGE DEALS ON 7500+ TOOLS

Pre-
BLACK FRIDAY DEALS

HAAS TOOLING.COM

FREE NEXT-DAY DELIVERY! **\$10 FOR A YEAR!** **\$95**

SHOP HAAS TOOLING

SIGN UP FOR WINNER'S CIRCLE

WINNER'S CIRCLE

The advertisement features a collage of various tools including drills, calipers, and a pressure gauge. A central shield-shaped graphic contains the text 'Pre-Black Friday Deals'. A red banner with 'HAAS TOOLING.COM' is overlaid on the tools. At the bottom, there is a yellow banner with promotional text and a 'Winner's Circle' logo.

FLASH SALE

SAVE UP TO **\$100K OFF** LIMITED TIME ONLY!

SALE ENDS JUNE 30TH

FLASH SALE



SAVE UP TO 25%
ON DC-1 & DC-2 MODELS

[LEARN MORE](#)



SAVE UP TO \$100K
ON 50-TAPER ECs

[LEARN MORE](#)



SAVE UP TO 25%
ON IN-STOCK MACHINES

[LEARN MORE](#)



SAVE \$7,500
ON AUTOMATIC BANDSAWS

[LEARN MORE](#)

5% to 25% Off!



HOT DEALS

In-Stock and Ready-to-Ship Machines

Haas Hot Deal Machines are brand-new machines in stock with special pricing. These machines are currently in our inventory, and ready for immediate delivery. All Hot Deal Machines come with a full standard 1-year warranty.

[SEE DEALS](#)



DEMO & PREOWNED

Pre-owned Machines - Most pre-owned machines were used for training new machinists at schools and technical education centers and are sold as-is, with no warranty.

Demo Machines - New machines that had limited usage performing test cuts for the purpose of demonstrating the machine capabilities. Sold with a full 1-year warranty.

[VIEW MACHINES](#)



CANCELED ORDERS

Brand-New, Custom Configured Machines

Never Used!
Canceled orders, fully inspected, and ready to ship with a standard 1-year warranty. These machines have never been installed, so don't miss out on these custom configured options at unbeatable prices!

[VIEW MACHINES](#)



Marketing Tools

View Edit Track Devel

*** All images are clickable ***



[HAAS TOOLING HOME PAGE](#)

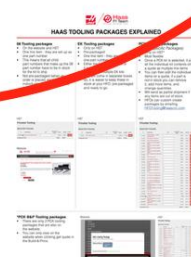
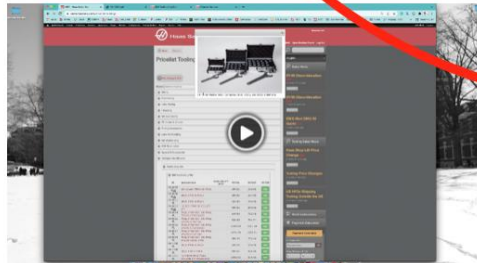
[Haas Tooling Promo page](#)

[How to redeem Online Tooling Promos](#)

[2025 AVAILABLE DIGITAL MARKETING CAMPAIGNS and MODEL GUIDES, PDFs, CATALOGS](#)

*Check Marketing Campaign page for info about HFO Demo Day.

[Tooling Kits Explained \(08/PCK/EK\)](#)



FINANCING RATES *NEW

CNCA Financing Rates are **Extended to June 30, 2025.**

Available for: US, Canada, HAE (Denmark, Germany, France, Spain, Portugal, Belgium, Luxembourg, Estonia, Latvia, Lithuania, Czech Republic, Slovenia, Slovakia, and Greece)

Date updated: May 30, 2025

Rates Chart #

Effective June 1, 2025	Skip Days	Changed from May 2025						
		12	24	36	48	60	72	84
10%		0.00%	1.99%	2.99%	3.99%	4.49%		
20%		0.00%	0.99%	1.99%	2.49%	3.99%	4.99%	5.49%
25%		0.00%	0.00%	0.99%	1.99%	2.99%	4.49%	4.99%
30%		0.00%	0.00%	0.00%	0.99%	2.49%	3.99%	4.49%
40%					0.00%			
20%	90		1.49%	1.99%	3.49%	4.99%	5.49%	5.99%

Term	RATE FACTORS							
	12	24	36	48	60	72	84	
10%	0.08333	0.04254	0.02077	0.02758	0.01864			
20%	0.08333	0.04210	0.02864	0.02191	0.01842	0.01611	0.01437	
25%	0.08333	0.04167	0.02821	0.02170	0.01797	0.01587	0.01413	
30%	0.08333	0.04167	0.02778	0.02156	0.01775	0.01565	0.01390	
40%				0.02083				
20%	90		0.04243	0.02874	0.02249	0.01903	0.01649	0.01475

RATES CHART

[Rates PDF for US Customers #](#)
(Updated May 30, 2025)

[Rates PDF for HAE Customers #](#)
(Updated May 30, 2025)



US CUSTOMER FINANCING PDF



HAE Customer Financing PDF

- VALUE OPTION PACKAGES
- PROMOTIONS
- NEW PRODUCTS
- GENERAL & MACHINE
- TOOLING
- PDFS AND BROCHURES

VALUE OPTION PACKAGES (VOP) *NEW

Date updated: May 19, 2025

VF-1(SS) TO VF-5(SS)

VALUE OPTION PACKAGE COMPARISON CHART

CATEGORY: VF-1 (SS) TO VF-5 (SS)

VF-2SS

VF-2SSYT

VF-3SSYT

VF-3YT/50

VF-4SS

VF-8/50*

*We will be further defining products/categories for the VOP packages in the coming days/weeks.

A - BASIC	B - PRODUCTIVITY	C - 4TH AXIS	D - TSC/SMTC	D - 5TH-AXIS
Package A Includes:	Package B Includes:	Package C Includes:	Package D Includes:	Package E Includes:
<ul style="list-style-type: none"> ✓ Chip Auger ✓ High-Intensity Lighting ✓ Programmable Coolant Nozzle ✓ Through-Spindle Coolant Ready 	<ul style="list-style-type: none"> ✓ Chip Auger ✓ High-Intensity Lighting ✓ Programmable Coolant Nozzle ✓ Through-Spindle Coolant Ready ✓ High-Speed Machining ✓ Wireless Intuitive Probing System 	<ul style="list-style-type: none"> ✓ Chip Auger ✓ High-Intensity Lighting ✓ Programmable Coolant Nozzle ✓ Through-Spindle Coolant Ready ✓ High-Speed Machining ✓ Wireless Intuitive Probing System ✓ 4th-Axis Drive and Wiring ✓ Auto Door ✓ Coolant Maintenance Package ✓ Coolant Refill System ✓ Mist Condenser ✓ Oil Skimmer ✓ Coolant Sanitizer ✓ WiFi Camera ✓ 30+1 Side Mount Tool Changer 	<ul style="list-style-type: none"> ✓ Chip Auger ✓ High-Intensity Lighting ✓ Programmable Coolant Nozzle ✓ Through-Spindle Coolant Ready ✓ High-Speed Machining ✓ Wireless Intuitive Probing System ✓ 4th-Axis Drive and Wiring ✓ Auto Door ✓ Coolant Maintenance package ✓ Coolant Refill System ✓ Mist Condenser ✓ Oil Skimmer ✓ Coolant Sanitizer ✓ WiFi Camera ✓ 30+1 Side Mount Tool Changer ✓ Auxiliary Coolant Filter ✓ Automatic Air Gun ✓ Minimum Quantity Lubrication ✓ Through-Tool Air Blast ✓ Through-Spindle Coolant, 300 psi (21 bar) 	<ul style="list-style-type: none"> ✓ Chip Auger ✓ High-Intensity Lighting ✓ Programmable Coolant Nozzle ✓ Through-Spindle Coolant Ready ✓ High-Speed Machining ✓ Wireless Intuitive Probing System ✓ 4th-Axis Drive and Wiring ✓ Auto Door ✓ Coolant Maintenance package ✓ Coolant Refill System ✓ Mist Condenser ✓ Oil Skimmer ✓ Coolant Sanitizer ✓ WiFi Camera ✓ 30+1 Side Mount Tool Changer ✓ Auxiliary Coolant Filter ✓ Automatic Air Gun ✓ Minimum Quantity Lubrication ✓ Through-Tool Air Blast ✓ Through-Spindle Coolant, 300 psi (21 bar) ✓ 5th-Axis Drive and Wiring ✓ Dynamic Work Offsets and Tool Center Point Control (DWO/TCPC) ✓ Second Home Position ✓ XL Remote Jog Handle w/Touchscreen

+ UMCS 500-1000 (INCLUDING SS)

+ ST-20 TO ST-35 (2 AND Y-AXIS)

INSANE FINANCING FOR YOUR NEXT HAAS CNC

DOWN PAYMENT	CHOOSE YOUR TERM						
	12-MONTHS	24-MONTHS	36-MONTHS	48-MONTHS	60-MONTHS	72-MONTHS	84-MONTHS
10% DOWN	0.00%	1.99%	2.99%	3.99%	4.49%	N/A	N/A
20% DOWN	0.00%	0.99%	1.99%	2.49%	3.99%	4.99%	5.49%
25% DOWN	0.00%	0.00%	0.99%	1.99%	2.99%	4.49%	4.99%
30% DOWN	0.00%	0.00%	0.00%	0.99%	2.49%	3.99%	4.49%
40% DOWN	N/A	N/A	N/A	0.00%	N/A	N/A	N/A
20% DOWN + 3-MO SKIP	N/A	1.49%	1.99%	3.49%	4.99%	5.49%	5.99%

APPLY FOR FINANCING TODAY

* Financing Terms, Conditions, and Exceptions: References are to an implied interest rate under a conditional sales contract. Interest accrues during the skip period. Down payment, rate, and terms of financing are dependent upon credit approval. Eligible businesses should have three or more years of operation under current ownership. U.S. and Canada only. All programs are 10% - 40% down. Must put a minimum of 20% down to get no payments for 3 months. **Certain equipment (e.g., stand-alone Rotaries, Shop Equipment, Bar Feeders, etc.) are subject to different rates, terms, and down-payment requirements, unless financed with a machine.** No prepayment penalty on any program. Not responsible for misprints or typographical errors. Offer valid on new machine orders placed from June 1 through June 30, 2025.

HAE Marketing Update

Summer
Machine Sale!

UP TO
-25%

HAAS

This advertisement features a blue and yellow background with a large '-25%' discount graphic. Below the discount, there are images of various Haas machine tools. The Haas logo is positioned at the bottom center.

STOCK SALE

IN STOCK & READY TO SHIP

Brand-New Hot Deals, Demo,
Pre-Owned Machines, and more!

The advertisement has a white background with a grey wireframe of a factory. A red price tag icon with a percentage sign is on the left. The text 'STOCK SALE' is in large red letters. Below it, a red banner contains the text 'IN STOCK & READY TO SHIP'. At the bottom, there is a black box with white text: 'Brand-New Hot Deals, Demo, Pre-Owned Machines, and more!'.

STARTS NOW
HUGE DEALS ON 2700+ TOOLS

Pre-
BLACK FRIDAY DEALS

HAAS TOOLING.COM

FREE EXPRESS DELIVERY!
SIGN UP FOR WINNER'S CIRCLE
\$10 OFF FOR A YEAR!

WINNER'S CIRCLE

This advertisement has a yellow and black background with images of various tools. The text 'STARTS NOW' and 'HUGE DEALS ON 2700+ TOOLS' is at the top. Below that is a large 'Pre-BLACK FRIDAY DEALS' graphic. The Haas Tooling website is mentioned. At the bottom, there is a promotion for 'FREE EXPRESS DELIVERY!' and a 'WINNER'S CIRCLE' offer of '\$10 OFF FOR A YEAR!'.

EU-SERIES

Haas Lathes & Vertical Mills.
More Choices. More Value.

The advertisement features a dark background with a red grid pattern. It shows several Haas EU-Series machine tools. The text 'EU-SERIES' is in large white letters at the top. Below it, the text reads 'Haas Lathes & Vertical Mills. More Choices. More Value.'

5% to 34% Off!

- Haas Automation -
STOCK SALE

HOT DEALS

In-Stock and Ready-to-Ship Machines

Haas Hot Deal Machines are brand-new machines in stock with special pricing. These machines are currently in our inventory, and ready for immediate delivery. All Hot Deal Machines come with a full standard 1-year warranty.

SEE DEALS



DEMO & PREOWNED

Pre-owned Machines - Most pre-owned machines were used for training new machinists at schools and technical education centers and are sold as-is, with no warranty.

Demo Machines - New machines that had limited usage performing test cuts for the purpose of demonstrating the machine capabilities. Sold with a full 1-year warranty.

VIEW MACHINES



CANCELED ORDERS

Brand-New, Custom Configured Machines

Never Used!

Canceled orders, fully inspected, and ready to ship with a standard 1-year warranty. These machines have never been installed, so don't miss out on these custom configured options at unbeatable prices!

VIEW MACHINES



HAE Marketing Update

CHOOSE YOUR FINANCING

**NO MODEL
RESTRICTIONS**

**UP TO 3-MONTH SKIP
AVAILABLE**

**NO PRE-PAYMENT
PENALTIES EVER!**

LOWEST DOWN PAYMENT
10% DOWN

4,49% Interest for as Long as 60-Months.

Payments as Low as
€1.678 PER MONTH

LOWEST INTEREST
0% FOR 48 MONTHS

Requires Larger Down Payment.

Payments as Low as
€1.250 PER MONTH

LONGEST TERM
84-MONTH TERM

With Rates as Low as 4,49%*

Payments as Low as
€973 PER MONTH

Sample payments are based on a €100.000 CNC machine purchase.

SAVE €8.429 IN INTEREST!

(Based on 0,00% for 48 months, compared to lenders with similar terms at 6,66% interest.)

INSANE FINANCING FOR YOUR NEXT HAAS CNC

DOWN PAYMENT	CHOOSE YOUR TERM						
	12-MONTHS	24-MONTHS	36-MONTHS	48-MONTHS	60-MONTHS	72-MONTHS	84-MONTHS
10% DOWN	0,00%	1,99%	2,99%	3,99%	4,49%	N/A	N/A
20% DOWN	0,00%	0,99%	1,99%	2,49%	3,99%	4,99%	5,49%
25% DOWN	0,00%	0,00%	0,99%	1,99%	2,99%	4,49%	4,99%
30% DOWN	0,00%	0,00%	0,00%	0,99%	2,49%	3,99%	4,49%
40% DOWN	N/A	N/A	N/A	0,00%	N/A	N/A	N/A
20% DOWN + 3-MO SKIP	N/A	1,49%	1,99%	3,49%	4,99%	5,49%	5,99%

*Financing terms, conditions, and exceptions: valid in Denmark, Germany, France, Spain, Portugal, Belgium, Luxembourg, Estonia, Latvia, Lithuania, Czech Republic, Slovenia, Slovakia, and Greece only. References are to an implied interest rate under a conditional sales contract. Interest accrues during the skip period. Down payment, rate, and terms of financing are dependent upon credit approval. Eligible businesses should have three or more years of operation under current ownership. All programs are 10% - 40% down. Must put a minimum of 20% down to get no payments for 3 months. **Certain equipment (e.g., stand-alone Rotaries, Shop Equipment, Bar Feeders, etc.) are subject to different rates, terms, and down-payment requirements, unless financed with a machine.** No prepayment penalty on any program.

Offer valid on new machine orders placed from 1 June through 30 June 2025.

Did You Know...

- Drawbar Counter Bores – DS & Finishing Spindles

SECONDARY SPINDLE	S.A.E	METRIC
Chuck Size	8.3 in	210 mm
Spindle Nose	A2-5	A2-5
Drive System	Direct Speed, Belt Drive	Direct Speed, Belt Drive
Max Rating	15.0 hp	11.2 kW
Max Speed	4000 rpm	4000 rpm
Max Torque	100.0 ft-lbf @ 870 rpm	135.6 Nm @ 870 rpm
Chuck Throat	Ø 2.00 in x 1.95 in DEEP	Ø 50.8 mm x 49.5 mm DEEP
Drawbar Adapter Bore	Ø 1.81 in x 4.52 in DEEP	Ø 46.0 mm x 114.8 mm DEEP
Drawbar Bore (NON-THROUGH)	Ø 1.03 in x 5.00 in DEEP	Ø 26.2 mm x 127.0 mm DEEP
Spindle Bore (without chuck and drawbar installed)	2.31 in	58.7 mm

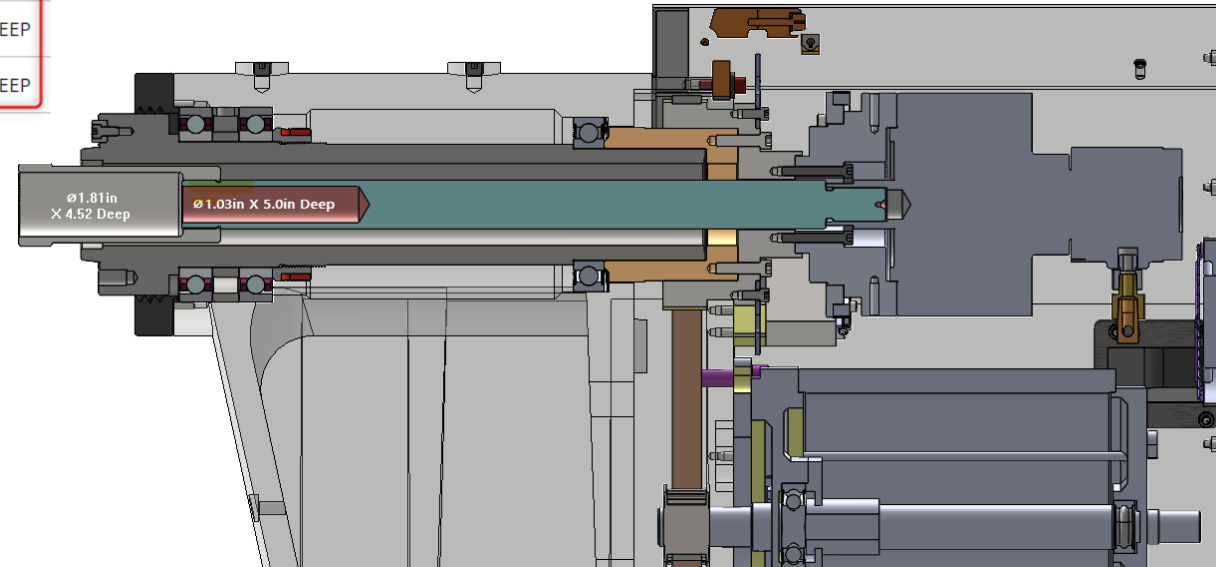
Additional Details, S&Ms...

Jan 2024

Dec 2023

Oct 2023

Aug 2023



Did You Know...

- **19" Monitor and Color Update**
 - Phasing in, **start month listed below for production**
- February
 - UMC-400/500, ST-30/35, DS-30Y, SR-3015P, DT-3, DM-3, SB-28Y, ST-40LY, GM-1
- March
 - UMC-750, VF-3/4/5, VR-5, VP-5, VM-3
- April
 - VF-1/2, VM-2
- May
 - UMC-1000/1250/1500, VF-6 to VF-14, ST-10 to ST-55, VR, VM
- June
 - **DT, DM, EC, GM, HDC, VC, VS**
- July
 - GR, GM, TM, TL, MM, CM, CL, Desktop, SR, Simulators



Products and Price List Update

- Added WIDESCREEN MONITOR as standard on DT, DM, EC, GM, HDC, VC, VS in all regions



Control Widescreen Monitor

Standard on some models

Larger viewing area with touchscreen control

• 19" Monitor and Color Update – Build & Price

BUILD-&-PRICE

MACHINE INFO

AUTOMATION

DETAILS

EC-400

Build-&-Price

Base Price

US\$232,995

Payments as low as

US\$3,908/mo

60 months ▾

Current Configuration >

CURRENT CONFIGURATION

Spindles	Standard 8100-rpm Spindle ↗
Tool Changers	Standard 30+1 Side-Mount Tool Changer ↗
Chip & Coolant Management	Standard Belt-Type Chip Conveyor HMC ↗ Standard Window Air Blast ↗ Standard 95-Gallon Coolant Tank ↗ Standard Chip Tray Filter Kit ↗ Standard Single-Stage Coolant Pump ↗
The Haas Control	Standard Control Widescreen Monitor ↗

Value Option Packages

Spindles

Tool Changers

Probing

Chip & Coolant Management

The Haas Control

Product Options



TL-1P

Production Toolroom Lathe

Build-&-Price

Base Price

US\$50,995

Payments as low as

US\$855/mo

60 months ▾

Current Configuration >

CURRENT CONFIGURATION

Spindles	Standard 3000-rpm Spindle, A2-5 ↗
Turrets & Live Tooling	Standard 4-Station Tool Turret ↗
Chip & Coolant Management	Standard Coolant Pump Kit ↗
The Haas Control	Standard Control Touch Screen ↗

- Factory Training Dates for 2025
 - June 18/19
 - September 10/11
 - December 3/4

Please email Scott Gasich directly with any names, email addresses and job functions for those who will be attending



THANK YOU!
FOR ALL YOUR EFFORTS



HMAS

